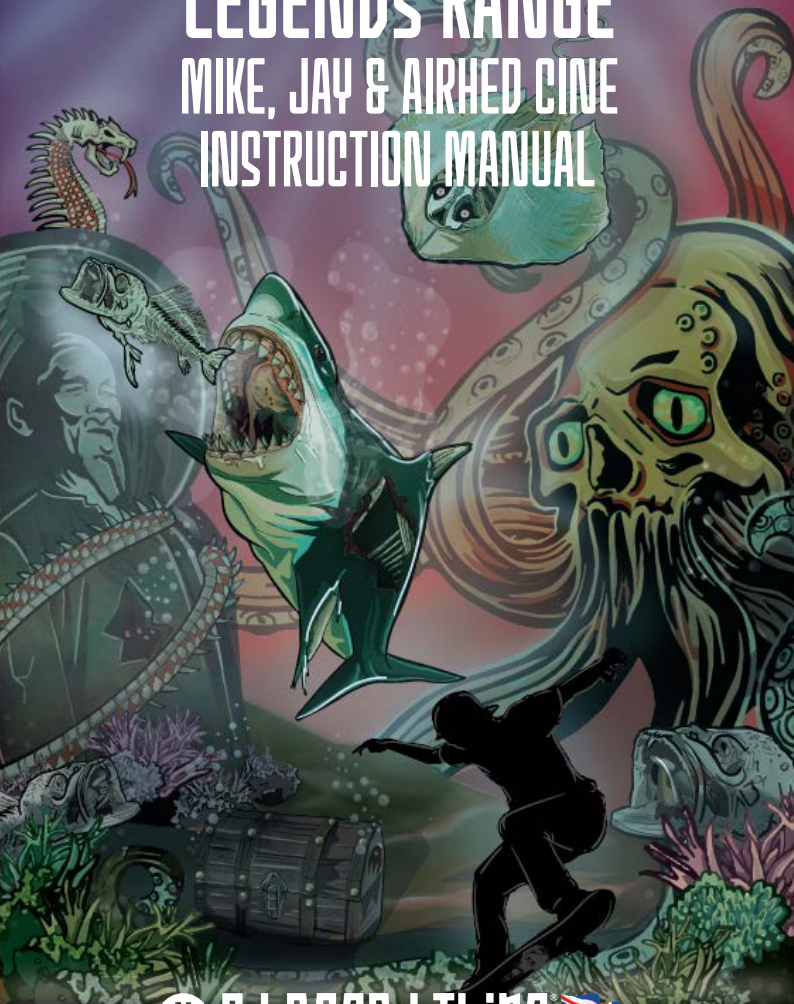


LEGENDS RANGE

MIKE, JAY & AIRHED CINE

INSTRUCTION MANUAL

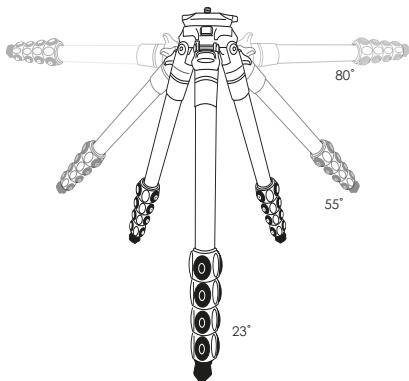


3 LEGGED THING



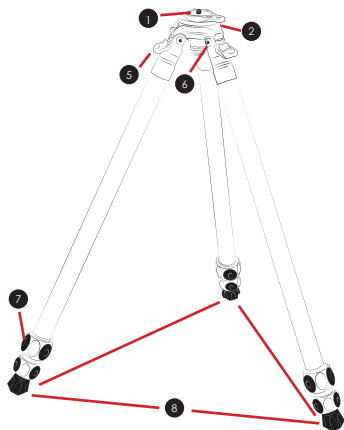
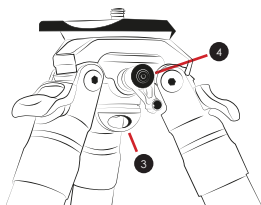
IMPORTANT

DO NOT USE YOUR TRIPOD
UNTIL YOU HAVE READ THESE
INSTRUCTIONS. NO WARRANTY
CLAIM WILL BE ENTERED
INTO FOR THE MISUSE OR
INCORRECT USE OF THESE
PRODUCTS.



ANATOMY OF A TRIPOD:

We offer three leg angles that we consider to be optimum for using a tripod. They are 23°, 55° & 80°.



1 Dual 1/4"-20 mount with 3/8"-16 adapter sleeve

2 Levelling Base

3 Friction Adjustment / D-ring

4 Levelling Base Lock

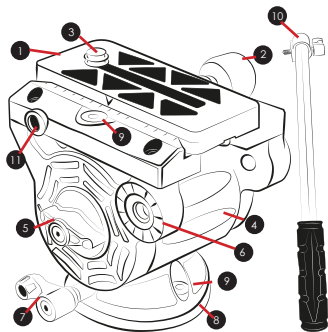
5 Rapid Latch

6 Hinge

7 Twist Lock

8 Detachable Bootz / Footwear

ANATOMY OF AN AIRHED CINE



- | | |
|--|---|
| 1 Quick Release Plate | 2 Clamp Knob |
| 3 Camera Screw | 4 Casing |
| 5 Tilt Lock | 6 Pan Arm Attachment Point (one on each side) |
| 7 Pan Lock | 8 Pan Base |
| 9 Bubble Levels | 10 Pan Arm |
| 11 Accessory Attachment Thread 1/4"-20 | |

AirHeds and Release Plates

The clamp has an orange locking knob [2] for releasing the Plate.

NEVER undo any of the knobs without holding your camera.

IMPORTANT

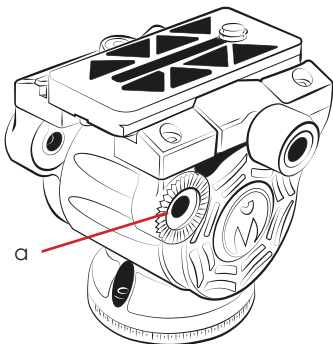
The Release Plate included in the 3 Legged Thing Legends Tripod Kits has security bolts fitted. These fit into the cut-outs engineered in the AirHed Cine and are intended to give you an additional level of security.

It is important that you tighten your release plate onto the clamp completely and check, before use.

Your release plate may come with additional mounting screws you might not require. Unscrew these and put them somewhere for safekeeping.

The panning arm can be attached on the left or the right for either left or right-handed users. Simply rotate the screw head to ensure the handle is in the desired position and screw it into the panning arm threads located on the left or right side of the AirHed (a).

The AirHed Base features a ratchet function in the pan lock (7 above) which enables you to reposition the locking knob if it cannot turn due to its position. To adjust the position, pull the ratchet away from the base of the AirHed, turn it until it has space to move, then click it into place. Then you can turn it to loosen or tighten the lock as required.



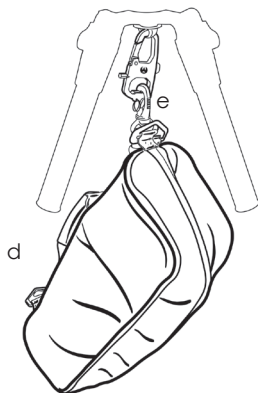
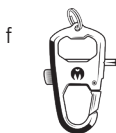
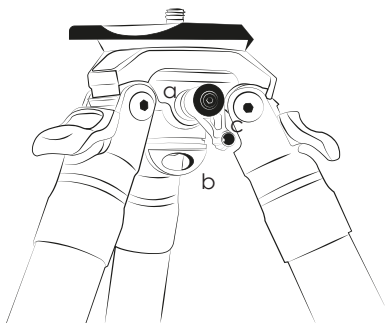
Basic Functionality

The levelling base has a locking knob on one side (a) to lock or unlock the leveller. The friction of the levelling base is controlled by the D-ring on the underside (b). To adjust the friction of the leveller, simply loosen or tighten the D-ring.

The Levelling base features a ratchet function in the knob which enables you to reposition the locking knob if it cannot turn due to its position(c). To adjust the position, pull the ratchet away from the tripod body, turn it until it has space to move, then click it into place. Then you can turn it to loosen or tighten the lock as required.

The friction lock/D-Ring (b) can be used to connect either your strap, for carrying, or the bag (d) for ballast, using the carabiner (e).

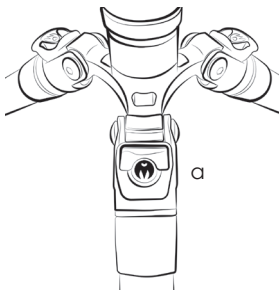
The carabiner clip can also be connected to the D-Ring via Toolz (f).



Legs, catches & locks

In order to change the leg angle you will need to press down on the Rapid Latch leg catch (a) manoeuvre the leg into the desired position and then release the catch. You don't need to press the Rapid Latch to stow your tripod.

To open and extend the tripod legs simply grip the twist locks in your hand, quarter turn (clockwise as you look down on it), loosening the legs allowing you to select a desired height. Once the required height has been obtained, lock the legs in place by rotating back anti-clockwise to the original position, which will fully engage the leg lock. The friction locks do not require to be undone further than a half turn, unless you intend to completely disassemble the legs for cleaning.



Detachable Legs

All three legs can be unscrewed directly from the leg hinge (a) and used as monopods or boom arms.

The levelling base canopy can be converted to a table-top tripod by removing the legs and screw Vanz* or Stillettoz* (d) into the leg hinges (a). To position the legs, use the Rapid Latch (c) to adjust. Mount your camera directly on to the levelling base using the 1/4"-20 thread, or add an AirHed using the supplied 3/8"-16 adapter.

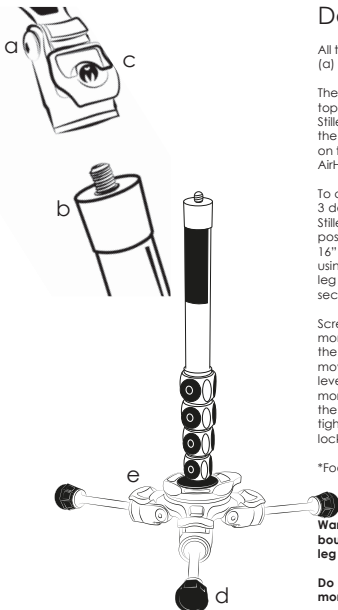
To convert to a monopod with a foot stabiliser, unscrew all 3 detachable legs (b) from the leg hinges and using the Rapid Latch, position the legs to the desired angle (e). Remove the 3/8"-16" mount sleeve from the bottom of the detached leg using your Toolz to loosen it out and screw the detached leg onto the 1/4"-20 and 3/8"-16 thread mount until its secure.

Screw your AirHed onto the top of the leg to create your monopod head. Once your monopod is all set up loosen the friction lock / d-ring to release the base to create fluid movement. Adjust the friction lock to create your desired level of drag. The tighter the friction lock / d-ring is, the more drag will occur. To stop all movement, tighten both the friction lock and pan lock being cautious not to over tighten. (Over tightening may make it difficult to undo the locks once you have finished using it).

*Footwear sold separately

Warning - do not angle the monopod beyond the boundaries of the levelling base as you may damage the leg or levelling base.

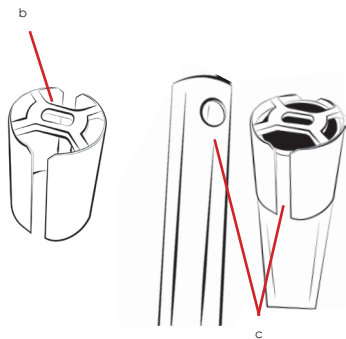
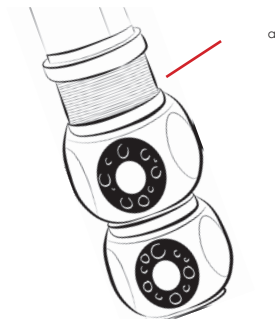
Do not let go of your camera when mounted on to any monopod setup.



Cleaning

It is advised that you wash your tripod after using it in salt water, sand, dirt or mud and this can be done by undoing each leg. Take each individual leg lock and unscrew until completely undone, and gently pull the tubing (a) out, being careful not to lose the nylon shim (b) (chicken lips), allowing you to clean the threads of the legs. Once cleaned, dry all the parts with a clean cloth. Do not leave them to air dry. Then ensure that the chicken lips are in place and then carefully insert the leg, lining up the internal slot with the gap (c) in the chicken lips, and tighten the leg lock in place.

Never use WD40 on your tripod as it can be a solvent. Always use silicone grease.

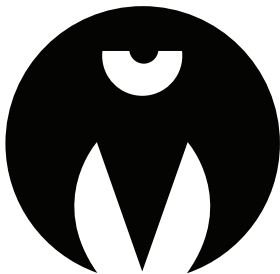


Warranty Information

Your 3LT product comes with a 5 Year Global Warranty. On the box you will find a sticker with a unique barcode and serial number. Use this serial number to register your products at www.3leggedthing.com/register.

Details of your warranty can be found at www.3leggedthing.com. Your warranty covers 3 Legged Thing products only.

If you have a question or suspect you have a fault, contact us first at www.3leggedthing.com/support.



3LT SOCIAL MEDIA



#3LEGGEDTHING

/3LEGGEDTHING

@3LEGGEDTHING

 **3 LEGGED THING[®]**

UNIT 9 KINSBOURNE FARM

BURY END

STAGSDEN

BEDFORDSHIRE

MK43 8TS

UNITED KINGDOM OF FADELESS SPLENDOUR