



Air LP™

| | |
|-----------------------------------|------------------------|
| Quickstart Guide | English (3 – 8) |
| Guía de inicio rápido | Español (9 – 14) |
| Guide d'utilisation rapide | Français (15 – 20) |
| Guida rapida | Italiano (21 – 26) |
| Schnellstart-Anleitung | Deutsch (27 – 32) |
| Snelstartgids | Nederlands (33 – 38) |

Quickstart Guide (English)

Introduction

Box Contents

Make sure that the items listed below are included in the box:

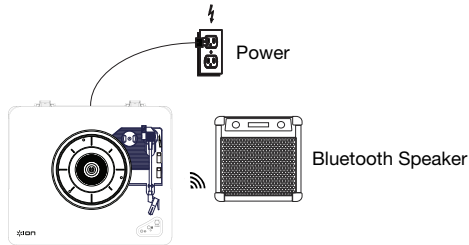
- Air LP™
- Power adapter
- Dust Cover
- USB cable
- RCA Cable
- 1/8" (3.5 mm) Aux Cable
- 45 RPM Adapter
- Felt Slipmat
- Software CD
- Quickstart Guide
- Safety & Warranty Manual

Support

For the latest information about this product (system requirements, compatibility information, etc.) and product registration, visit ionaudio.com.

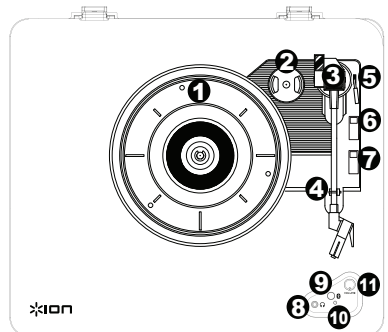
Connection Diagram

Items not listed under the **Box Contents** are sold separately.

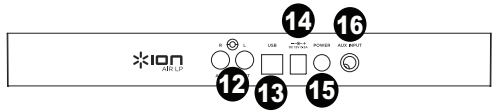


Features

1. **Platter** – Place your record here.
2. **45 RPM Adapter Holder** – Holds the included 45 RPM adapter. When not using the adapter, please place it in this holder.
3. **Tonearm** – The fixed tonearm can be raised and lowered by hand, or by pressing the raise / lower lever.
4. **Arm Clip** – This specially designed arm clip secures the tonearm while at rest or when not in use. The arm clip has been designed to remain in the up position while unlocked.



5. **Raise / Lower Lever** – Raises and lowers the tonearm.
6. **33 / 45 / 78 Switch** – This switch controls the RPM of the turntable platter.



Note: For best results when playing 78 RPM vinyl records, use a 78 stylus (sold separately). Only use a 78 stylus with 78 RPM vinyl records. Purchase the iCT06rs 78 stylus at ionaudio.com/ict06rs.

7. **Autostop switch** – This switch turns autostop on or off. When autostop is on, the platter will start spinning when the tonearm is placed over the record and stop spinning when the record has reached the end. (When autostop is off, the platter will always spin regardless of the position of the tonearm.)

Note: If your vinyl record stops before it reaches the end of the music, turn Autostop to the off position for this particular record. This is generally recommended for 45 RPM records.

8. **Headphone Jack** – Connect headphones (sold separately) to listen to your vinyl playback.
9. **Bluetooth Button** – Press this button to start Bluetooth pairing. If after 5 minutes no Bluetooth speaker can be found to pair with, the Bluetooth transmitter will become inactive and the LED will turn off. If currently connected, press this to disconnect from a currently connected Bluetooth device.
10. **Bluetooth LED** – This LED blinks when pairing with a Bluetooth device. Once fully paired, the LED will remain solid. The LED will be off when Bluetooth is inactive, and when the Air LP is turned off.
11. **Volume** – Adjust this to control the headphone level.
12. **RCA Output*** – The audio from a playing vinyl record is sent to this line-level RCA audio output. This must not be connected to phono level devices.
13. **USB Audio Output** – Use the included USB cable to connect your turntable to your computer. The USB connection will send audio from the turntable to your computer. Please see the *Using Air LP With Your Computer* section of this manual for information.
14. **Power Cable Input** – Use the included adapter to connect to wall power.
15. **Power Button** – Press this button to turn Air LP on/off. Air LP Turntable will re-connect to your last used Bluetooth Speaker when powering on, if it is in range.
16. **Aux Input** – Connect a CD player, digital media player, or other audio source to this 1/8" stereo auxiliary input. The audio from the Aux Input is also transmitted over a Bluetooth connection.

IMPORTANT: Place the included felt slipmat on the platter; then place your record on the felt slipmat to carefully hold your records.

IMPORTANT: Remove the plastic cartridge cover (needle cover) before operating the turntable.

***WARNING:** The RCA outputs are LINE level. Please only connect these to LINE level inputs. You may damage your receiver if you plug in a LINE level device into a PHONO level input.

Pairing Air LP to a Bluetooth Speaker

Air LP has a Bluetooth transmitter to send audio to a Bluetooth speaker wirelessly.

1. Power on your Bluetooth speaker and ensure it is in pairing mode.
2. Power on the Air LP turntable.
3. Press and release the Bluetooth button on Air LP to start pairing to your Bluetooth device. Once Air LP is connected to the Bluetooth speaker, the Bluetooth LED will be solid blue. Your Bluetooth speaker should also indicate that its paired.
Note: Air LP will connect to the closest Bluetooth speaker that is near it. If after 5 minutes no Bluetooth speaker can be found to pair with, the Bluetooth transmitter will become inactive and the LED will turn off.
Note: Maximum range will be achieved when using devices with Bluetooth 4.0 or higher.
4. Play music on your Air LP turntable. If you are connected to a Bluetooth speaker with a play/pause button, and do not hear audio, try pressing the play/pause button.
5. Adjust the volume on your Bluetooth device.
6. To disconnect pairing, power off the Air LP turntable or turn of Bluetooth pairing on your Bluetooth speaker.

Note: Move other Bluetooth receivers/speakers out of range of Air LP (30'/9.1m or more) or turn them off to connect to your Bluetooth speaker.

Using Air LP With Your Computer

Recording

To record music to your computer, you can use ION EZ Vinyl/Tape Converter and a USB cable. EZ Vinyl/Tape Converter conveniently saves your recordings to your computer. After you finish converting your vinyl, you can then burn to CD or load onto portable media devices.

To install the software, insert the included CD into your computer, and follow the on-screen instructions.

1. With EZ Vinyl/Tape Converter installed on your computer, use the included USB cable to connect Air LP's USB port to an available USB port on your computer.
2. On your computer, you can open EZ Vinyl/Tape Converter by going to **Start Menu ► All Programs** (Windows) or the **Applications** menu (Mac).
3. Follow the on-screen instructions to set up your recording. When prompted to play your music, move Air LP's tonearm over the record to start playback.

Note: *To listen to a record while it's playing, listen through your computer's speakers, or connect Air LP's RCA outputs to a stereo system or powered speakers. Do **not** connect them to phono-level inputs; Air LP's RCA outputs are line-level and could damage a device with phono-level inputs.*

4. When you have finished recording, raise Air LP's tonearm from the record and return it to its arm clip.

Visit ionaudio.com/computer-optimization for more information on optimizing your computer for audio.

Playback

You can listen to the music on your computer through its internal speakers or through headphones connected to it. (Air LP cannot be used as a playback device for your computer's audio.)

To listen to a **record** while it's playing, listen through your computer's speakers, or connect Air LP's RCA outputs to a stereo system or powered speakers. Do **not** connect them to phono-level inputs; Air LP's RCA outputs are line-level and could damage a device with phono-level inputs.

Troubleshooting

If you experience any difficulties, please refer to the troubleshooting steps below as well as those in the EZ Vinyl/Tape Converter manual included with this product.

If you are recording to a **computer**:

- Make sure that Air LP is powered on and that the needle is on the record.
- Make sure Air LP is selected as your computer's default recording device (see the instructions below).
- If you are listening through your computer's speakers, make sure those speakers are selected as your computer's default playback device (see the instructions below). Alternatively, you could connect Air LP's RCA outputs to a stereo system or powered speakers. Do **not** connect them to phono-level inputs; Air LP's RCA outputs are line-level and could damage a device with phono-level inputs.
(**Note:** The RCA outputs monitor the signal coming out of the turntable, not the signal coming from your computer.)
- Disconnect then reconnect the USB cable connecting Air LP to your computer.

I'm not hearing any audio when playing music:

- If you are playing music from **vinyl**:
 - Make sure that Air LP is powered on and that the needle is on the record.
 - Connect Air LP's RCA outputs to a stereo system or powered speakers. (Do **not** connect them to phono-level inputs; Air LP's RCA outputs are line-level and could damage a device with phono-level inputs.)
- If you are playing music from your **computer**:
 - Make sure your software music player's volume is turned up.
 - Make sure your computer's volume is turned up.
 - Make sure your computer's speakers are selected as your computer's default playback device (see the instructions below). (Air LP cannot be used as a playback device for your computer's audio.)

I am hearing a hum through my speaker or laptop when using the turntable:

- If you are recording to a laptop:
 - Please connect the laptop to a grounded power supply (3 prong)
- If you are playing through a speaker:
 - Please connect to a grounded (3 prong) power supply.

My record is not playing at the correct speed; its pitch is too high or too low:

- Ensure the 33 / 45 / 78 switch is set to the correct speed for your record.

The Bluetooth speaker that I want is not pairing to Air LP.

- Turn off or move other nearby Bluetooth speakers over 30' (9.1m) so only the closest Bluetooth speaker you want will pair.

I am connected to a Bluetooth speaker but do not hear any audio.

- If you are connected to a Bluetooth speaker with a play/pause button, and do not hear audio, try pressing the play/pause button.

My smartphone will not connect to Air LP Turntable.

- Air LP Turntable acts as a Bluetooth Transmitter, sending the audio out of Air LP into other Bluetooth Speakers. Air LP Turntable cannot act as a Bluetooth Receiver and play music from your smartphone over headphones or RCA outputs.

The Bluetooth LED will not stop blinking.

- Once the Bluetooth button is pressed, Air LP will try to connect to nearby Bluetooth speakers for 5 minutes. To stop the blinking Bluetooth LED, power cycle Air LP.

I am hearing an echo when listening to music.

- Either listen to music through a paired Bluetooth speaker **or** connect the RCA audio outputs from Air LP to a speaker. Both playback methods should not be used at the same time.

Setting Air LP as the Default Recording Device

- **Windows XP:** Click **Start Menu** ► **Control Panel** (or Settings ► Control Panel in Classic View) ► **Sound and Audio Devices**. Click the **Audio** tab and under **Sound recording**, select **USB PnP Audio Device** as the default device.
- **Windows Vista:** Click **Start Menu** ► **Control Panel** (or Settings ► Control Panel in Classic View) ► **Hardware and Sound** ► **Sound**. Click the **Recording** tab and select USB PnP Audio Device as the default device.
- **Windows 7:** Click **Start Menu** ► **Control Panel** ► **Sound**. Click the **Recording** tab and select **USB PnP Audio Device** as the default device.
- **Windows 8:** From the **Start** Menu, click the lower-left corner of the screen to bring yourself to the Desktop. In the bottom-right corner of the Taskbar, locate the Volume Control "Speaker" icon. Right-click the speaker and select **Playback Devices**. In the **Windows Sound** control panel select the **Recording** tab. If **USB PnP Audio Device** does not have a green "check mark" symbol next to it, right-click it and select "Set as Default Device".
- **Mac:** Click the upper-left "apple" icon then click **System Preferences** ► **Sound**. Click the **Input** tab. From the menu, select **USB PnP Audio Device** as the device.

Setting Your Computer's Soundcard as the Default Playback Device

- **Windows XP:** Click **Start Menu** ► **Control Panel** (or Settings ► Control Panel in Classic View) ► **Sound and Audio Devices**. Click the **Audio** tab and under **Sound playback**, select your computer's soundcard as the default device.
- **Windows Vista:** Click **Start Menu** ► **Control Panel** (or Settings ► Control Panel in Classic View) ► **Hardware and Sound** ► **Sound**. Click the **Playback** tab and select your computer's soundcard as the default device.
- **Windows 7:** Click **Start Menu** ► **Control Panel** ► **Sound**. Click the **Playback** tab and select your computer's soundcard as the default device.
- **Windows 8:** From the **Start** menu, click the lower-left corner of the screen to bring yourself to the Desktop. In the bottom-right corner of the Taskbar, locate the Volume Control "Speaker" icon. Right-click the speaker and select **Playback Devices**. The **Windows Sound** control panel should appear set on the **Playback** tab. If your computer's soundcard does not have a green "check mark" symbol next to it, right-click it and select "Set as Default Device".
- **Mac:** Click the upper-left "apple" icon then click **System Preferences** ► **Sound**. Click the **Output** tab. From the menu, select **Internal Speakers** if you are using the computer's internal speakers or select **Headphones** if you are using speakers or headphones attached to the computer's 1/8" headphone output.

BEFORE RETURNING THE PRODUCT, please contact ION Audio or your retailer for technical support. Contact information can be found in the Safety Instruction Booklet included with this product.

ionaudio.com/support



Technical Specifications

| | |
|--|---|
| Dimensions (Length x Width x Depth) | 16" x 14" x 4.5" (406 mm x 356 mm x 114 mm) |
| Weight | 6.7 lbs. (3 kg) |
| Power | 12V DC, 0.2A, center pin-positive, tip-negative |
| Air LP Turntable Bluetooth Function | Bluetooth Transmitter |
| Bluetooth Version | BT 3.0 |
| Bluetooth Range | Up to 30' / 9.1 m* |
| Cartridge Type | Ceramic |
| Cartridge and Stylus | Cartridge and Stylus: CZ-800-10 (sapphire-tipped) is included, and also available at ionaudio.com/products/details/CZ-800-10 . For a 78 RPM stylus, the iCT06rs is available at ionaudio.com/ict06rs . |

Specifications are subject to change without notice.

**Bluetooth range is affected by walls, obstructions, and movement. For optimal performance, place the product in line of sight, so it is unaffected by walls, furniture, etc.*

Battery life may vary based on temperature, age, and volume usage of product.

Trademarks and Licenses

ION Audio is a trademark of ION Audio, LLC, registered in the U.S. and other countries.

Windows is a registered trademark of Microsoft Corporation in the United States and/or other countries.

Mac is a trademark of Apple, Inc., registered in the U.S.A. and other countries.

RCA is a trademark of Technicolor SA.

All other product or company names are trademarks or registered trademarks of their respective owners.