

## DATA SHEET

# PAG V-Mount Camera Plate

MODEL 9501

**Description:**

This V-Mount Camera Plate provides a secure mechanical and electrical connection between the camera, or other suitable equipment, and V-Mount batteries. It has a robust moulded construction and incorporates high-quality contact pins.

A single D-Tap output is incorporated, and situated on the top of the camera plate.

When placing an order, customers must specify the make and model of equipment they wish to power; this is to establish suitability and the type of interface plate required.

**Specification:****Model 9501****Outputs:**

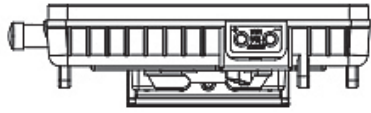
1 x D-Tap, 12V 10A (unregulated).

**Dimensions:**

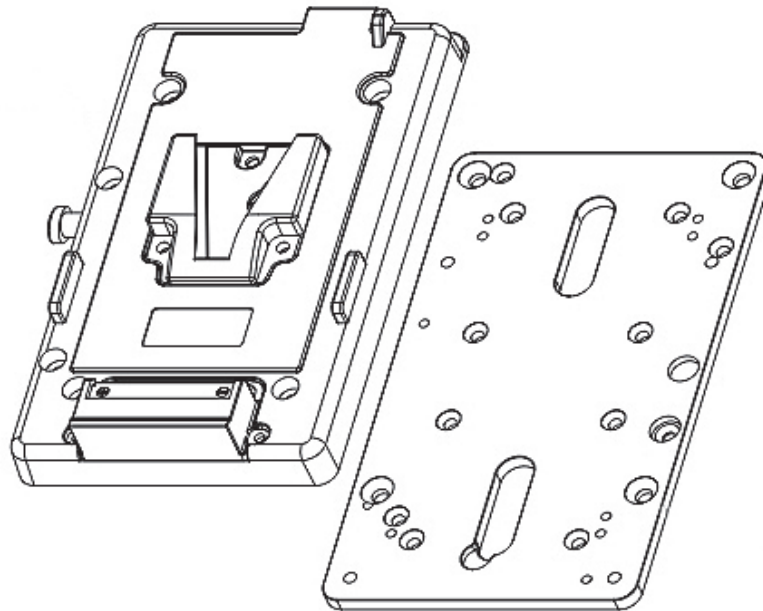
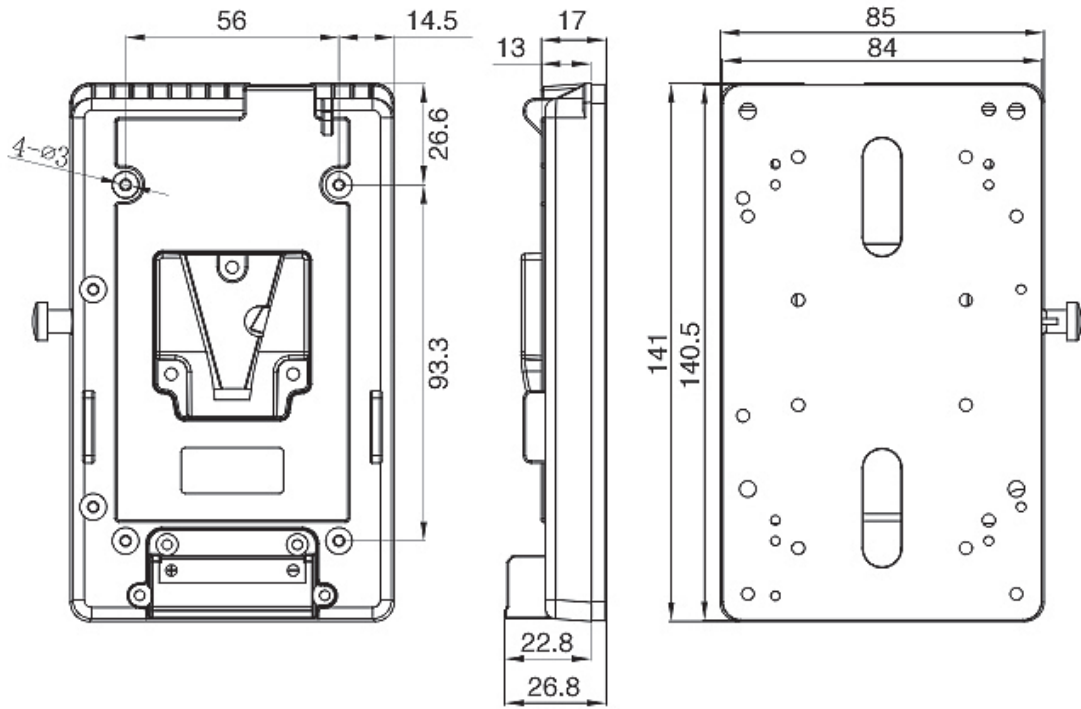
Length: 140mm (5.50").

Width: 85mm (3.35").

Height: 27mm (1.00").



ALL DIMENSIONS ARE IN MM



**PAG Ltd. UK**  
565 Kingston Road  
London SW20 8SA

E sales@paguk.com  
T +44 (0)20 8543 3131  
www.paguk.com

© MAR 2019 PAG Ltd. PAG is the trademark of PAG Ltd.  
PAG reserves the right to change the specifications  
contained herein without notice.