

Head Balancing

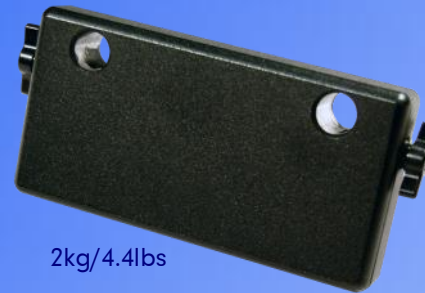


1. To balance the head with the camera mounted, loosen the rod adjustment clamps, the rods will now slide freely back and forth. When you have achieved a good balance retighten the knobs, this will secure the plate in this position.



2. If extra counter-balance weight is needed it can be added by installing a counter-weight on the rear of the Gold Plate. (A)

Counter-balance Weight



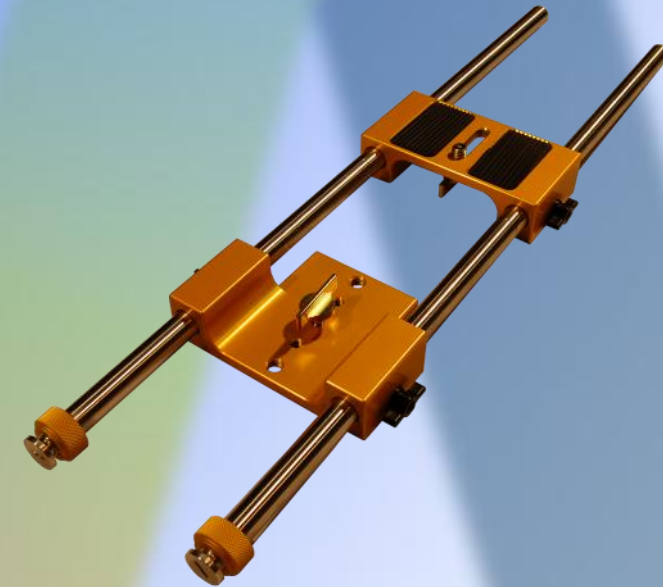
2kg/4.4lbs

1. Install the counter-balance weight by sliding it over the two rods at the rear of the Gold Plate. Slide the weight back and forth to achieve a balance.

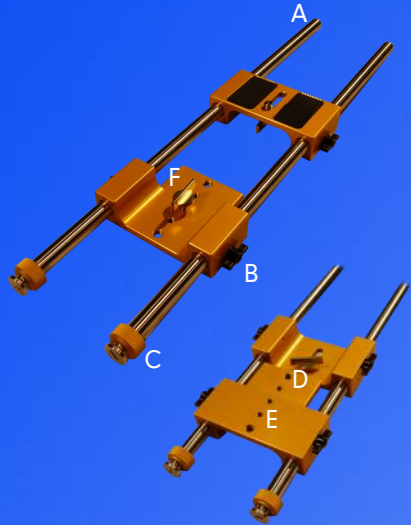


2. To lock the weight in position tighten the two clamp screws on either side. Additional weights can be added if required.

Gold Plate Guide



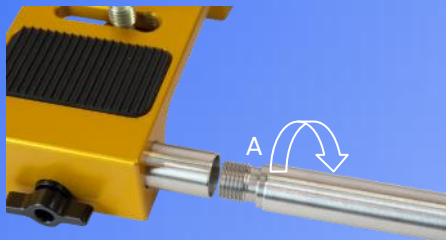
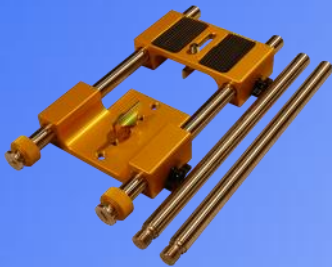
Components



A	Rods
B	Rod Adjustment Clamp
C	Keyhole Locking Disc
D	3/8" BSW Fixing Hole
E	1/4" BSW Fixing Hole
F	Camera Screw

Assembly

1. Assemble the Gold Plate by screwing the extension rods into the rear of the Gold Plate. (A)



2. Remove the hot shoe from your tripod head and fix it to the underside of the Gold Plate ideally using both 1/4" and 3/8" BSW fixing screws.

3. Replace the Gold Plate on the tripod head ensuring that the keyhole locking discs are facing forward.



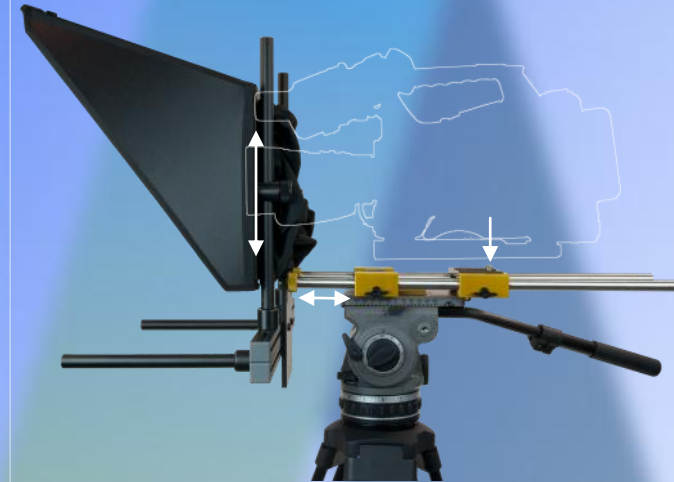
Master Series Hood

The gold plate can be used to mount the Master Series Hood and the Professional Series Hoods. The professional series hood is used throughout this guide.

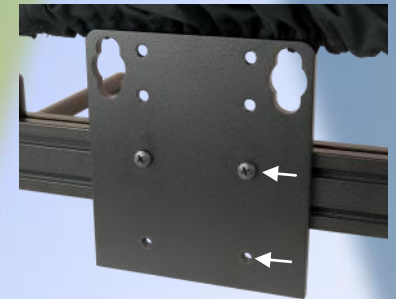
4. Mount the hood and bracket set onto the rods using the keyhole mounting holes.



5. Ensure that the bracket set is secured in position by tightening the keyhole locking disc.



6. Mount the camera using the camera screw ensuring that the lens is in the centre of the aperture on the back of the hood. To adjust the height of the hood loosen the tube clamps, adjust to the desired height and retighten to secure. The hood and bracket assembly can be moved forwards or backwards by loosening the rod adjustment clamp, once in the desired position retighten to secure.



7. If needed the height of the entire bracket assembly can be adjusted by using the alternative holes in the key hole plate. Two positions are available. To move the plate remove the screws and re-fix using the alternative holes.