

MANTISPOD

PGYTECH

Specification

The Product Name :

PGYTECH MANTISPOD

Sku: P-CG-021

Material: magnesium, aluminium alloy, silicone, TPU

In the Box



VLog Tripod x 1



the Base Plate x 1



The Mini Phone holder x 1

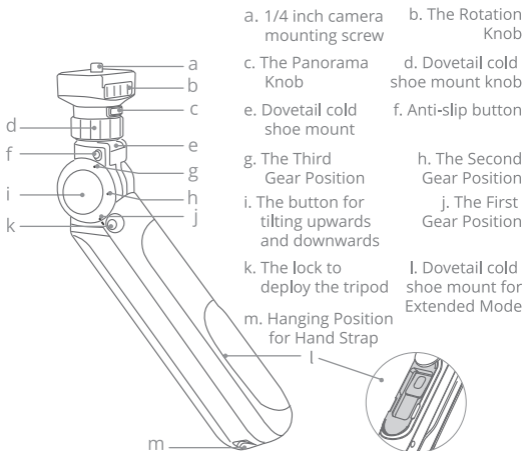


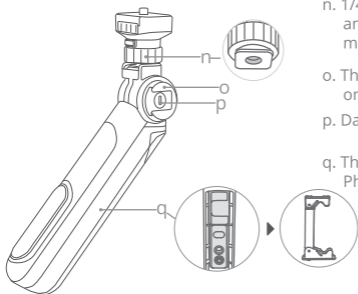
Storage Bag x 1



Hand Strap x 1

Get to know your vlog tripod





n. 1/4 Inch Screw Hole and Dovetail cold shoe mount.

o. The cold shoe mount on the side

p. Damping Adjust

q. The Built-in Mini Phone Holder

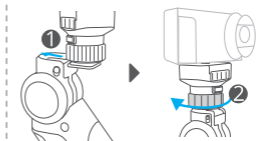
Quickly Attach/Detach Base Plate

■ How to operate

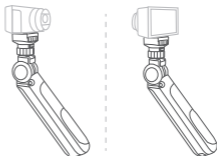
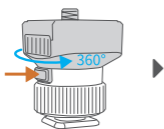
Quickly mount Base Plate



Quick installation with tripod



Quick angle adjustment

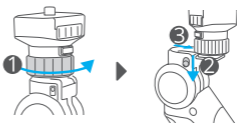


■ How to disassemble

Quickly disassemble the Base Plate

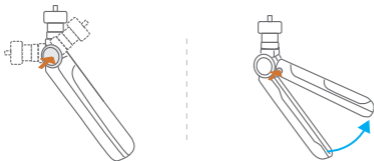


How to disassemble the Base Plate from the tripod

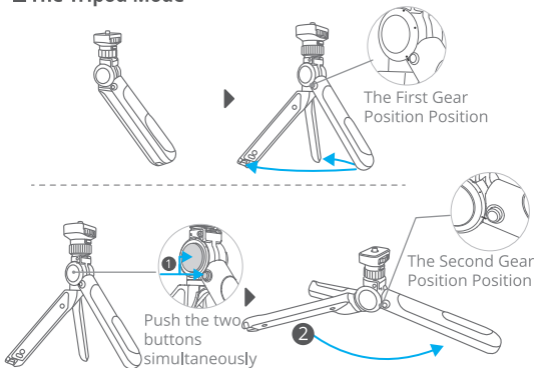


Allround vlogging tripod

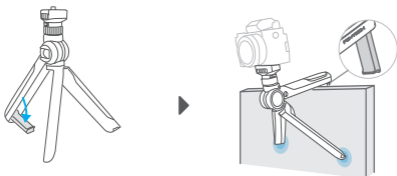
■ How to use the button

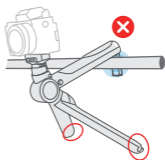
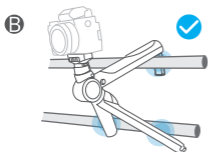
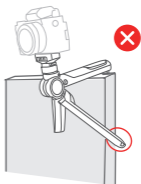
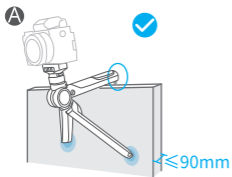


■ The Tripod Mode



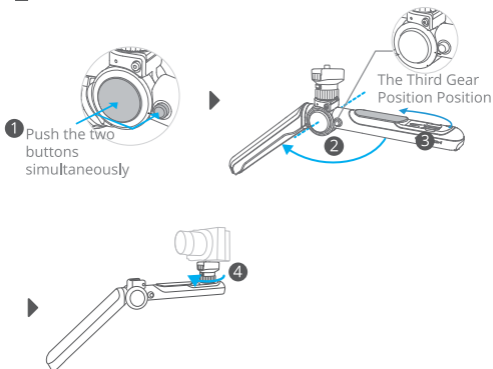
■ Mantis Mode



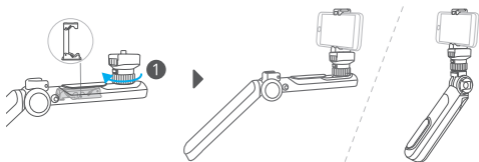


Note: Please avoid using Mantis mode on moving objects such as vehicles, boats, etc.

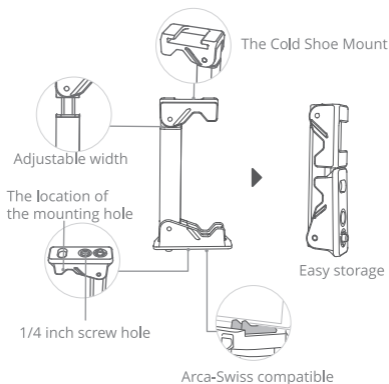
Extended Mode



■ Mobile Vlogging Mode



How to use the Mini Phone Holder



☞ Scan the QR code
to watch detailed tutorials



MantisPod Pro has a three-year warranty.
For more details by visiting our website

www.pgytech.com