

\

MONSTER Adapter

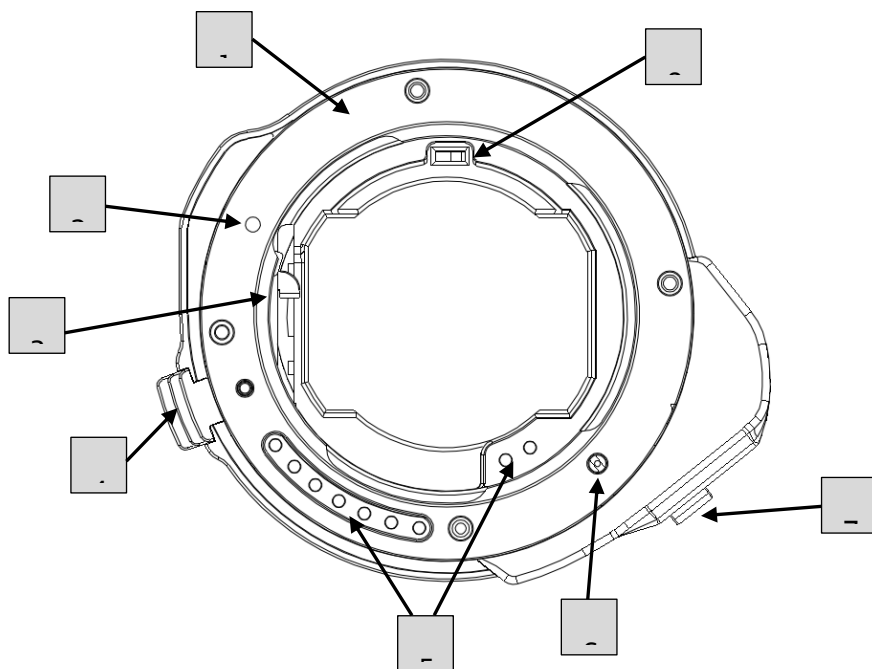
K Mount Adapter E

LA-KE1

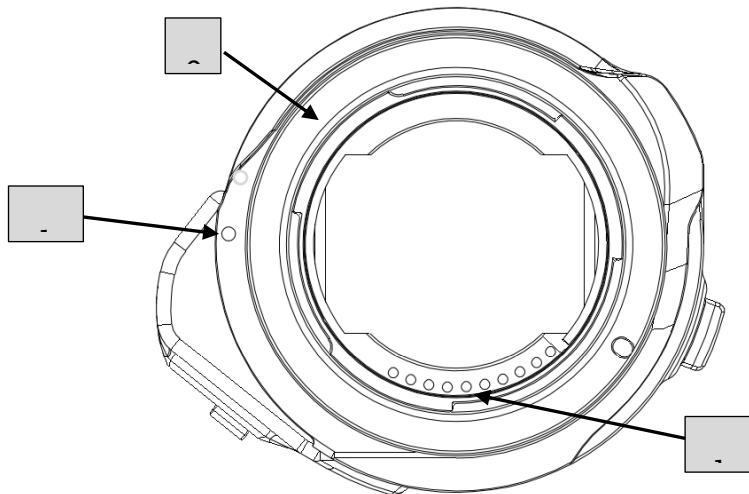
This product (LA-KE1) is an electronic lens adapter designed for allows Pentax/Ricoh K mount lenses to be used on Sony E mount mirrorless cameras and retain most of the lens features.

User's Manual

Parts of the adapter



1. K-mount
2. K-mount lens mounting index
3. K-mount aperture coupling lever
4. K-mount lens release lock
5. K-mount bayonet electronic communication contacts
6. K-mount autofocus coupling lever
7. K-mount AF mode setting switch
8. K-mount lens focus mode selection switch



9. E mount
10. E mount lens mounting index
11. E mount lens contacts

Warning

1. This product is non-waterproof design, in order to reduce accidents such as fire or electric shock, do not allow this product to contact liquid or moisture.
2. This product is an electronic device, please do not touch the electronic communication contacts.
3. Do not disassemble, repair or modify this product, otherwise it may cause the equipment damage to even get injury.
4. Please keep this product out of reach of children. In addition, please note that small parts constitute a choking hazard.

Attach and Detach:

Warning: Before attaching or removing this unit, please switch off the power of the camera. If not, that may damage this adapter or camera. Product damage caused by improper use is not covered by the warranty.

Attaching:

1. Align the E mount mounting index of this adapter with the mounting index of the E mount camera body;
2. Attach this adapter to the camera;

3. Rotate this adapter counterclockwise until you hear a "click" sound;
4. Align the mounting index on the K-mount lens with the mounting index of the K-mount lens of this adapter;
5. Attach the K-mount lens to this adapter;
6. Rotate the K-mount lens counterclockwise until you hear a "click" sound.

Detaching:

1. Press and hold the K-mount lens release switch on this adapter;
2. Rotate the K-mount lens clockwise until the lens can be separated from this product;
3. Press and hold the lens on the E-mount release switch on the camera;
4. Rotate this adapter clockwise until this product can be separated from the camera.

Note: After detaching the lens, this product and the camera, please install cap as soon as possible to prevent dust or other accidents.

Lens usage

1. This product can only use KAF series bayonet lenses with electronic contacts, including KAF, KAF2, KAF3 and KAF4. Lenses without electronic contacts are

not guaranteed to work properly.

2. The autofocus speed is related to the combination of camera and lens, the movement behavior while focusing might be different with traditional SLR cameras.
3. In some cases, the actual focusing distance may be slightly different from the lens distance scale. When shooting with auto focus in some situations, the closest focusing distance of the lens may become larger.
4. On autofocus lenses with built-in focus motor, if you need to use manual focus, please set the AF switch on the lens to the MF position. When shooting with lenses with screw drive coupling lever, if you need to use manual focus, please set the AF switch on this product to the MF position. In addition, please note that as long as on adapter AF switch is in MF mode, the camera will enter MF mode regardless of the state of other AF switches (such as those on the lens).
5. When using F, FA and other lenses with an aperture ring, please set the lens aperture ring to A position. Otherwise, the camera will enter MF mode due to incorrect exposure.
6. If have, the camera body will automatically turn on 5-axis anti-shake. If you need to turn it off, please operate through the camera menu.
7. When the lens weight exceeds 1000g(2.2lb), it is recommended to use a tripod and attach the tripod to the lens tripod collar other than tripod mount on camera.
8. Some lenses have screw drive coupling lever and build-in AF motor at the same

time. You can set the focus drive mode selection switch of the K-mount lens on the adapter. The left side uses the screw drive to drive autofocus, and the right side uses the lens built-in motor. This switch has no effect on other lenses.

9. This adapter is not designed for video shooting, autofocus might not work while shooting videos.

Supported cameras

This adapter requires on sensor phase detection function to get autofocus work, cameras without this function will not focus properly.

Although some cameras have on sensor phase detection function, it does not enabled in adapted mode. In this case, this adapter cannot focus properly either.

As of the release of this product, the camera models that can be fully compatible with this product:

- Alpha 7 II(With camera firmware Ver 2.0 or higher)
- Alpha 7 III
- Alpha 7R II
- Alpha 7R III
- Alpha 7R IV
- Alpha 7S III
- Alpha 7C

- Alpha 9
- Alpha 9 II
- Alpha 6100
- Alpha 6300
- Alpha 6400
- Alpha 6500
- Alpha 6600

Note: Due to camera performance limitations, Alpha 6300, Alpha 7 II and Alpha 7R II can focus on the subject's eyes, but cannot achieve AF-C eye tracking focus.

Camera models that can use other automatic functions of the adapter but have limited autofocus performance:

- Alpha 7
- Alpha 7R
- Alpha 7S
- Alpha 7S II
- Alpha 3000
- Alpha 3500
- Alpha 5000
- Alpha 5100
- Alpha 6000
- All NEX cameras

Note: Limited autofocus performance means that the focus is slow or cannot focus correctly.

Maintenance

- Please do not touch the internal structure of this adapter. Improper use may cause malfunction.
- When cleaning this adapter, please use a blower to blow off the dust on the surface, and then gently wipe it with a dry soft cloth.
- It is strictly forbidden to use any liquid detergent to wipe this adapter.

This adapter can add new functions through firmware update to improve user experience. When upgrading, you need a personal computer to connect the E-mount camera body through a USB data cable and attach this adapter to camera to upgrade. For detailed upgrade process, please refer to MonsterAdapter Weibo, Facebook or Twitter.

Product specifications:

Size: Approximate 80 x 60 x 33mm

Weight: Approximate 96g(0.2lb)

Included items: Mount adapter x 1, Body cap x 1, Rear cap x 1, Set of printed documentation.

Since this product will add new features through firmware updates, the design or specifications are subject to change without notice.

Manufacturer: Shenzhen Muohuan Optics-electrical technology Co., Ltd.

Origin: Shenzhen, China

Printing date: February 2021