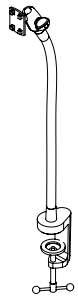
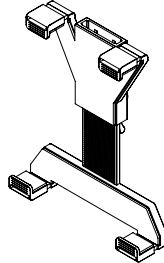


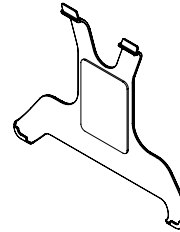
Component Checklist



Desk Mount



Universal Tablet Adaptor



iPad® 2 and 3 Adaptor

IMPORTANT INFORMATION:

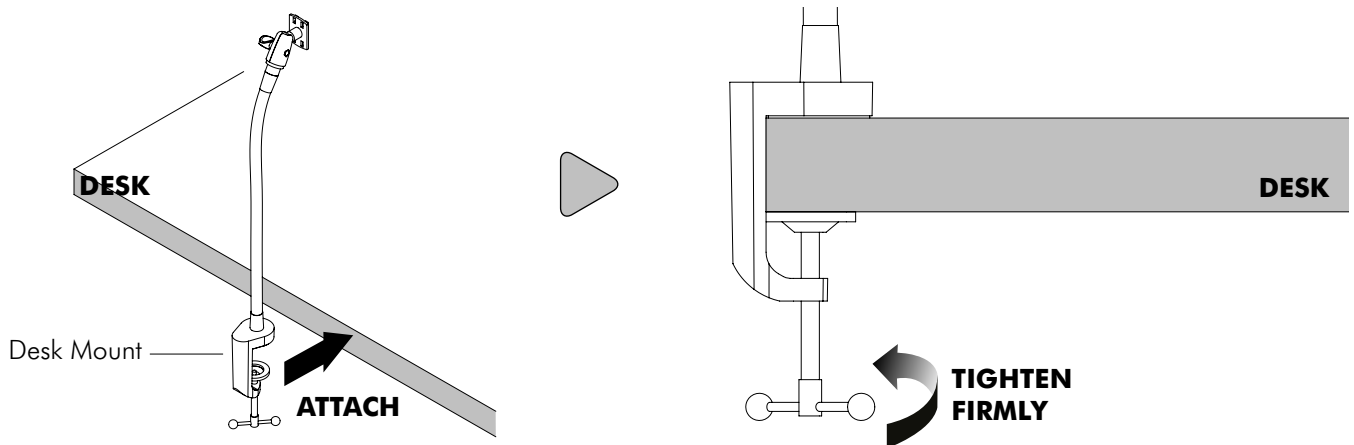
! IMPORTANT - Install Visidec Tablet Flexible Desk Mount as per Installation Instructions.

! The manufacturer accepts no responsibility for incorrect installation.

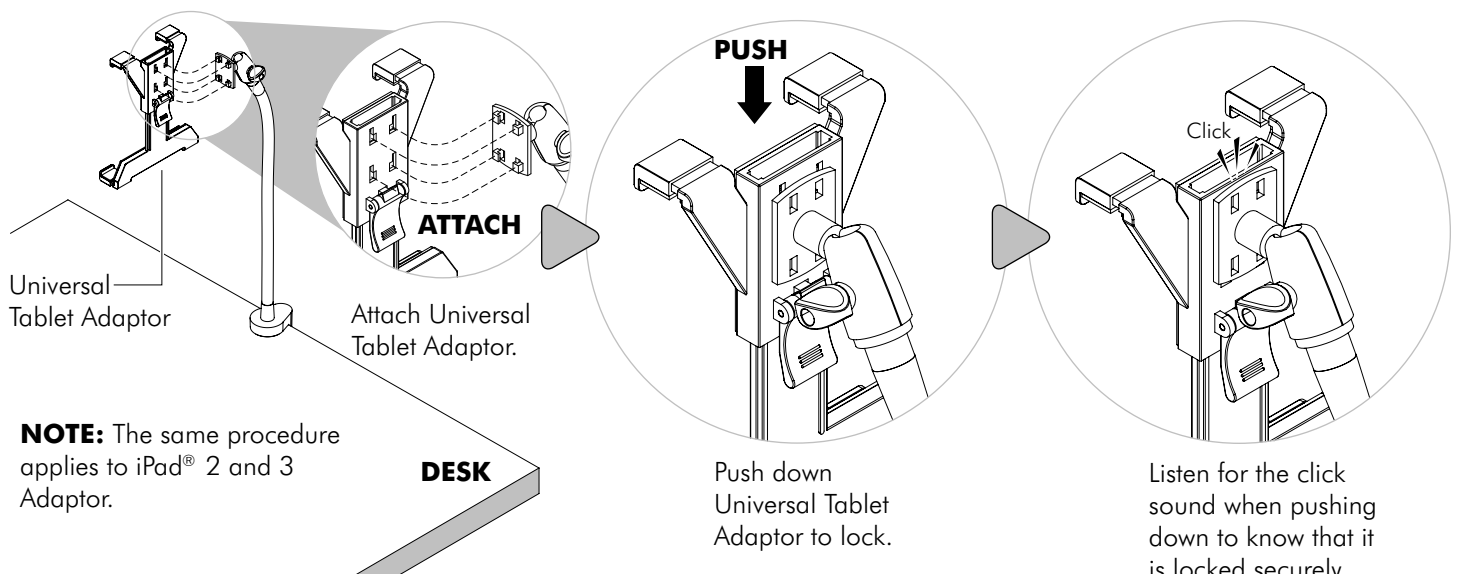
Step 1. Check Components

Check you have received all parts against the component checklist above.

Step 2. Attach Desk Mount



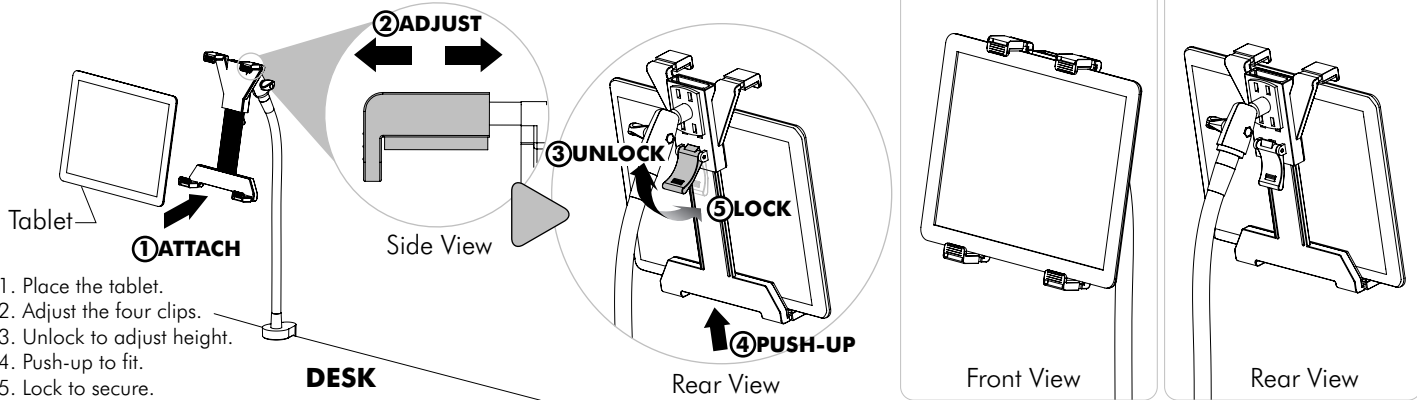
Step 3. Attach Adaptor to the Desk Mount



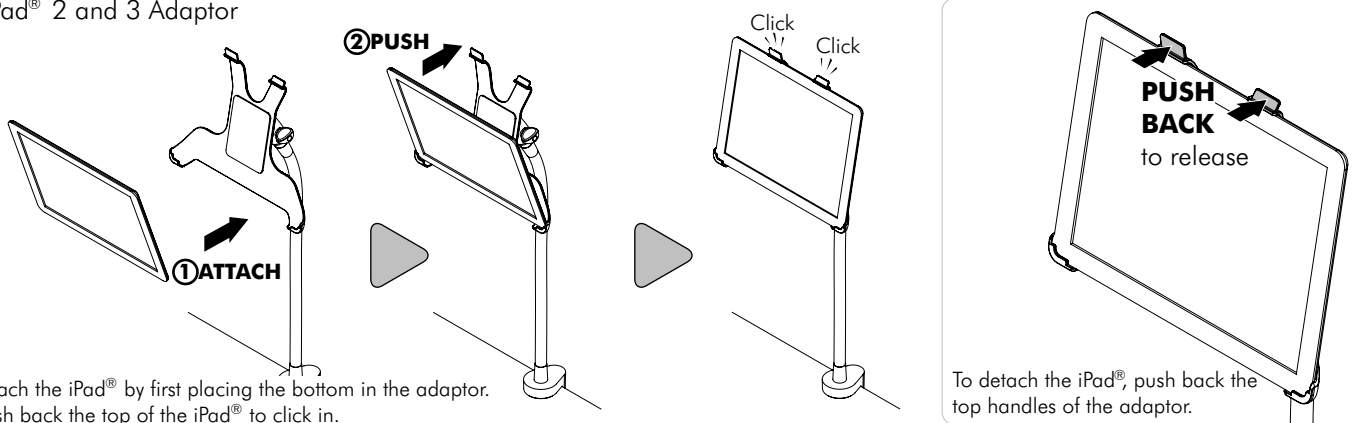
NOTE: The same procedure applies to iPad® 2 and 3 Adaptor.

Step 4. Attach the Tablet to the Adaptor

For Universal Tablet Adaptor



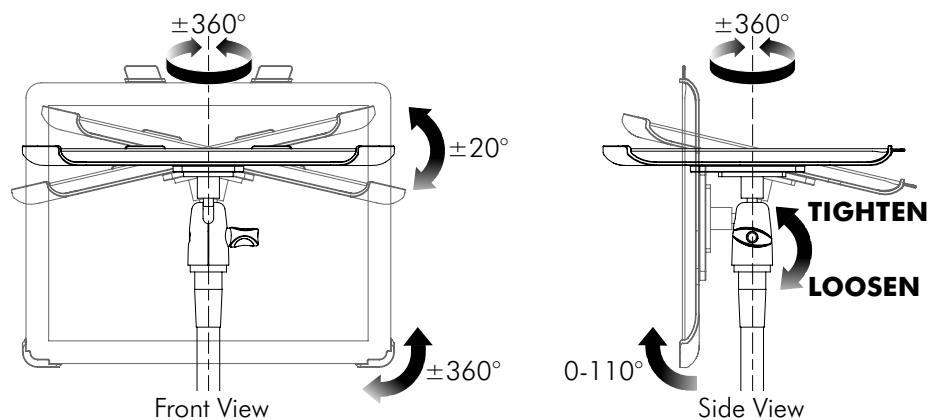
For iPad® 2 and 3 Adaptor



Step 5. Tablet Tilt Adjustment

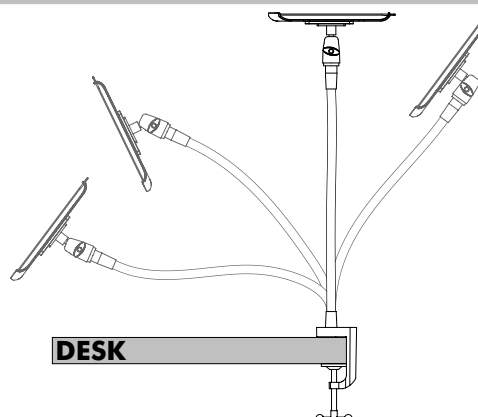
Loosen the knob to rotate the Tablet to the desired position and tighten to fix.

NOTE: The tilt adjustment angle is not limited to only front and side views, the available adjustment allows the user to view the tablet in any position that feels comfortable.



Step 6. Flexibility

NOTE: The flexibility of the product is not limited to the illustrations presented, it can bend to any position that the user feels comfortable with.



Installation Complete



No portion of this document or any artwork contained herein should be reproduced in any way without the express written consent of Atdec Pty Ltd. Due to continuing product development, the manufacturer reserves the right to alter specifications without notice. Published 05.29.12 ©

iPad® is a trademark of Apple Computer, Inc, registered in the U.S. and other countries.