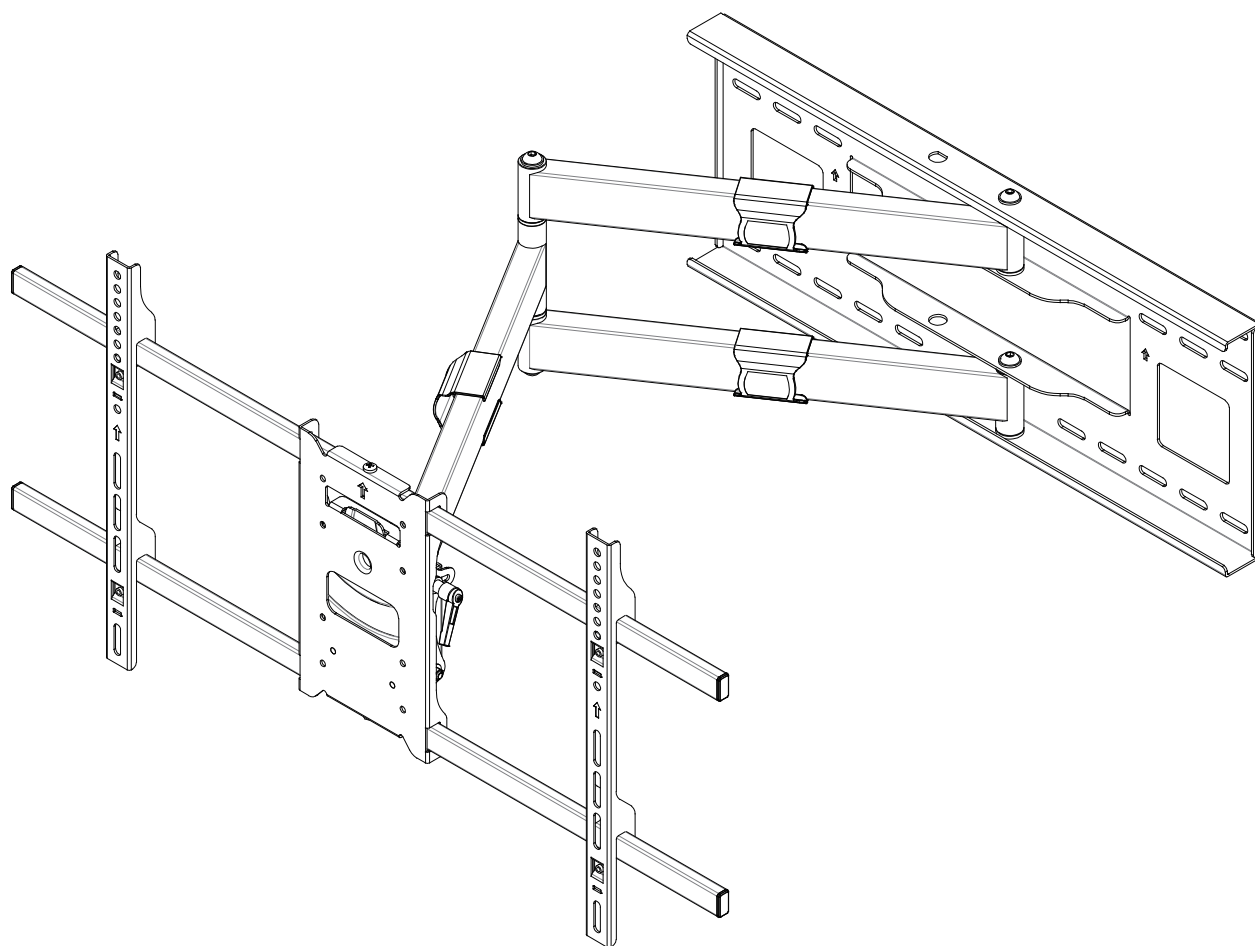


Long-Extension Full Motion TV Wall Mount







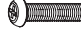



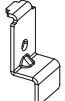


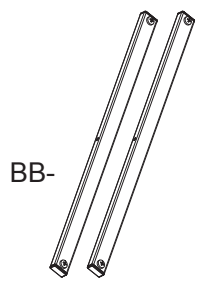
MI-372(v3)

MOUNT-IT!

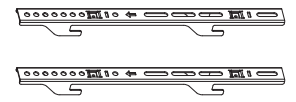
INSTALLATION INSTRUCTIONS

For installation assistance or questions, please contact us at support@mount-it.com or (858) 925 5668.

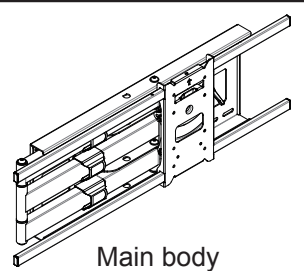
- A-  (M4x16)-4pcs
- B-  (M5x16)-4pcs
- C-  (M6x16)-4pcs
- D-  (M8x25)-4pcs
- E-  ($\phi 16 \times \phi 6.2 \times 1.5$)-4pcs
- F-  (M5x8)-4pcs
- G-  (M8x45)-4pcs
- wrench-1pcs
- H-  (8x70)-6pcs
-  ($\phi 16 \times \phi 8.2 \times 1.5$)-6pcs
- I-  (10x50)-6pcs
- AA-  -4pcs



400 adapter
TV Size $\leq 60''$
VESA $\leq 400 \times 400$



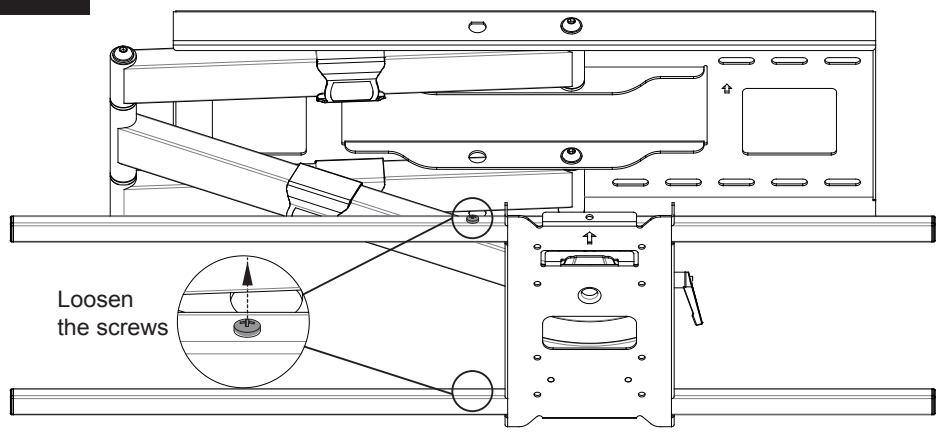
Arms



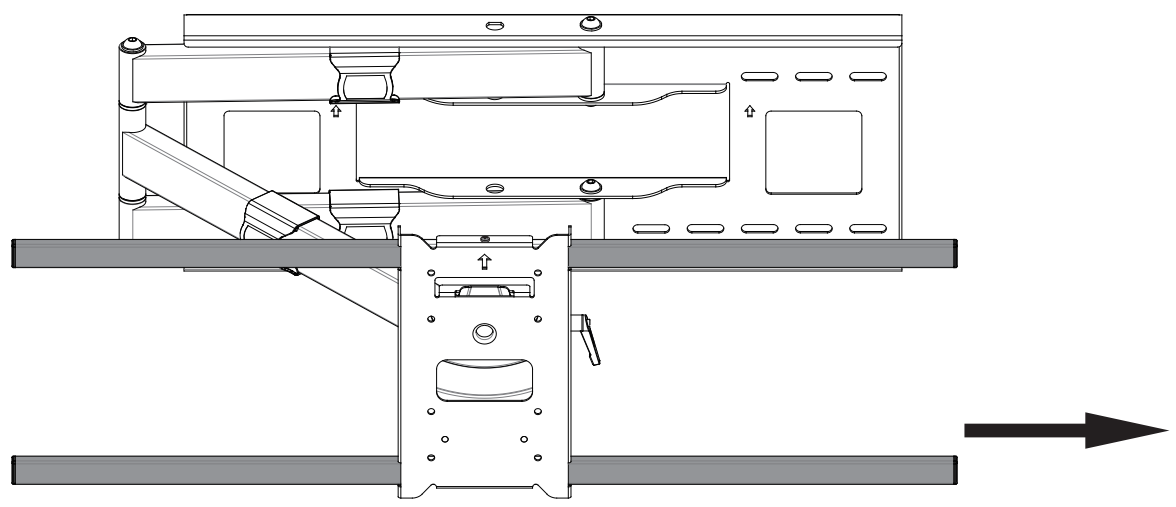
Main body

TV Size $\leq 60''$ VESA $\leq 400 \times 400$

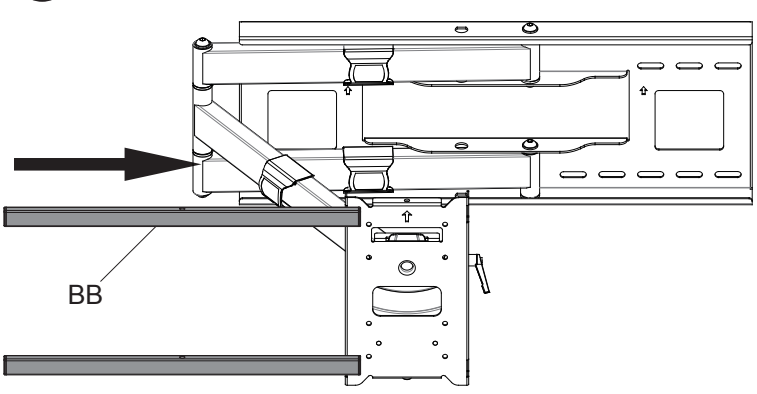
1



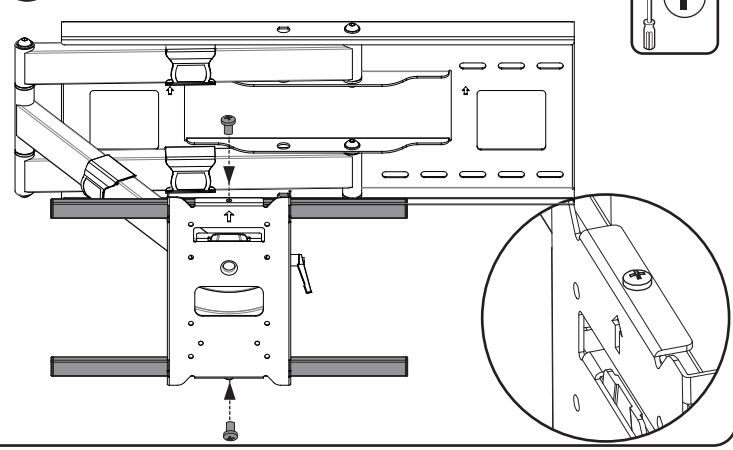
2



3



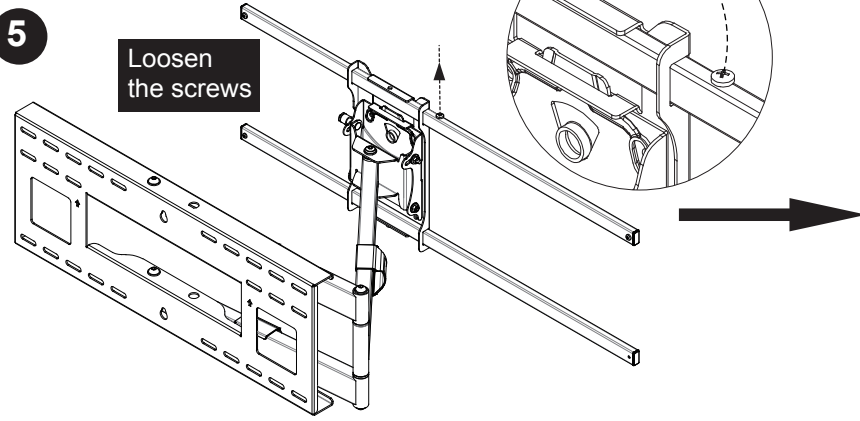
4



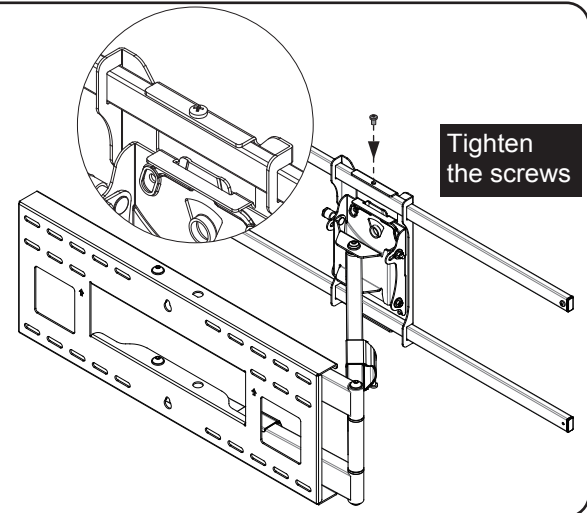
TV Size $\geq 60''$ VESA $\geq 400 \times 400$

5

Loosen the screws



Tighten the screws



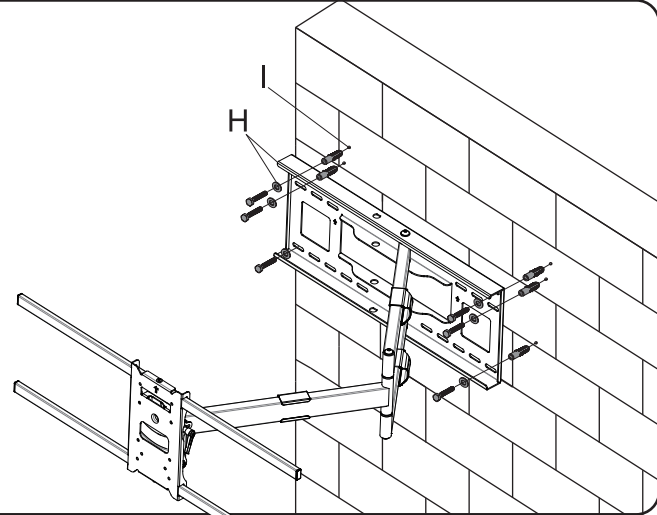
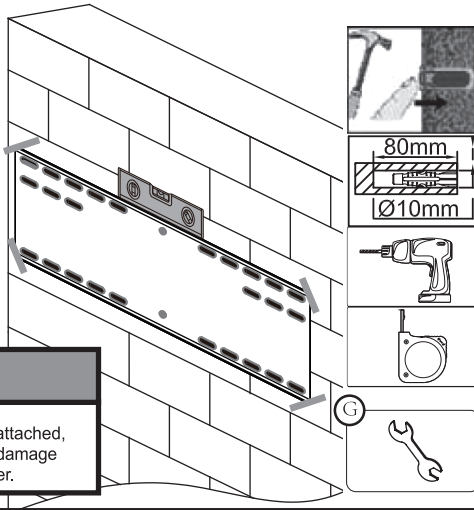
Installation

6-a

BRICK OR CONCRETE

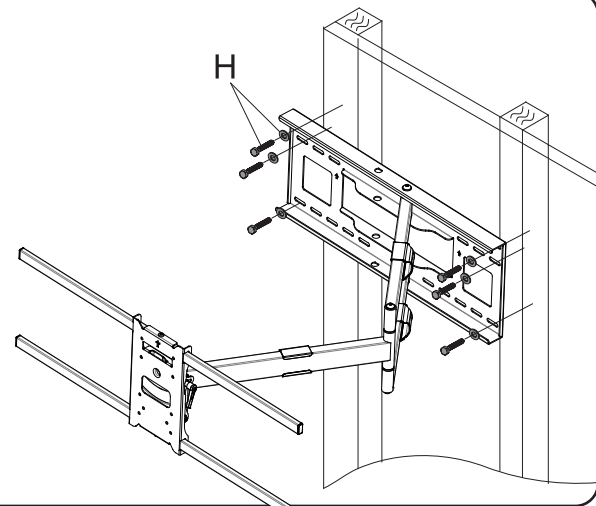
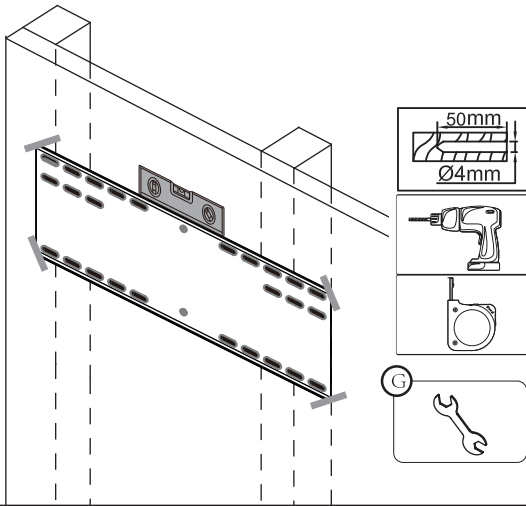
⚠ WARNING

- Tighten screws so that wall plate is firmly attached, but do not overtighten. Overtightening can damage screws, greatly reducing their holding power.



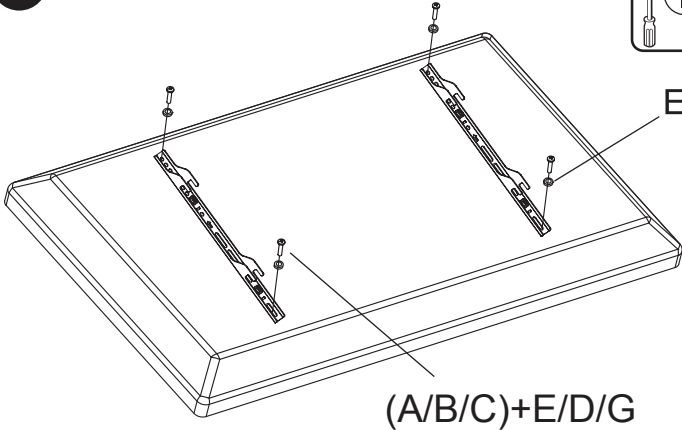
6-b

WOOD



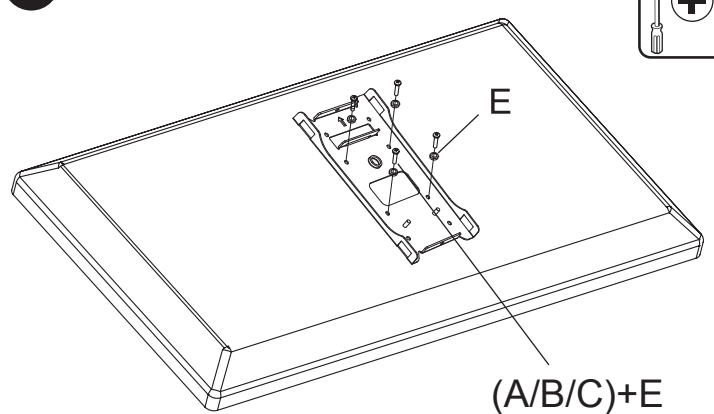
7-a

VESA(200X100-800X400)

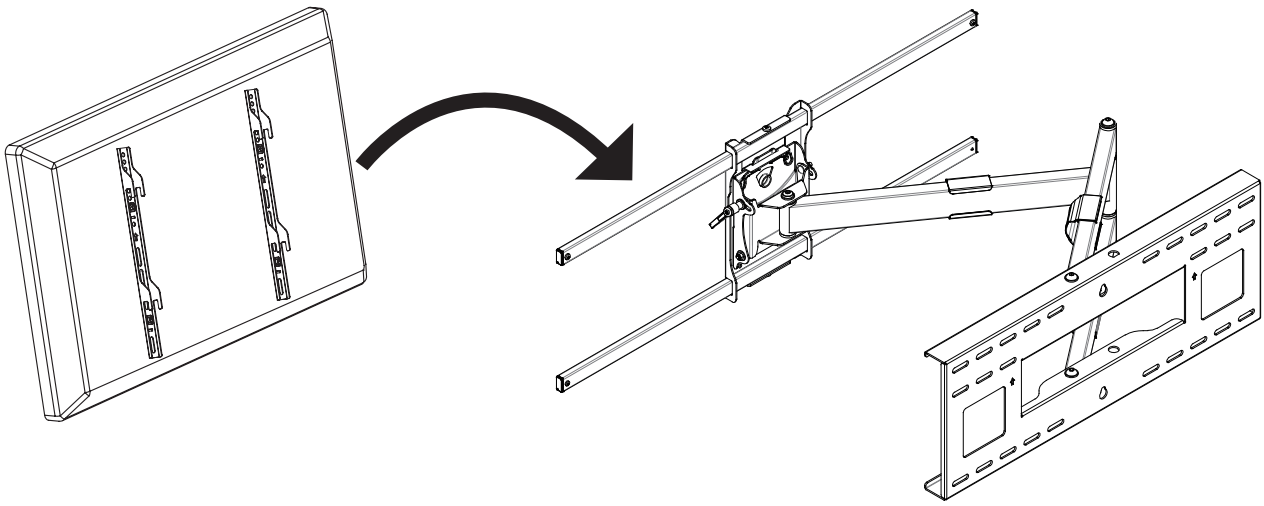


7-b

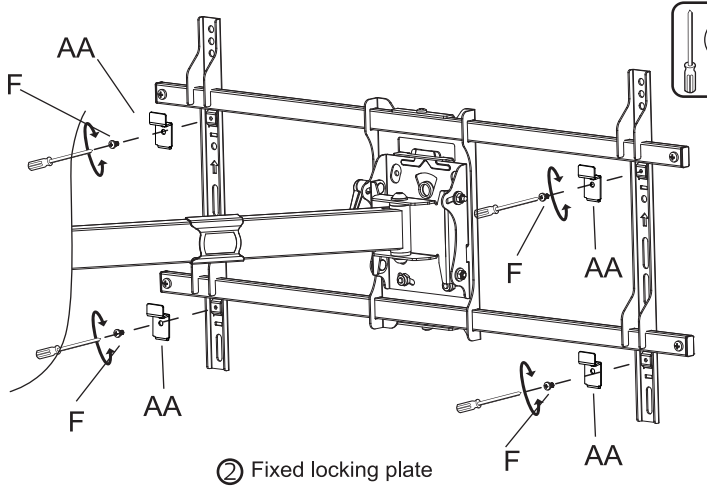
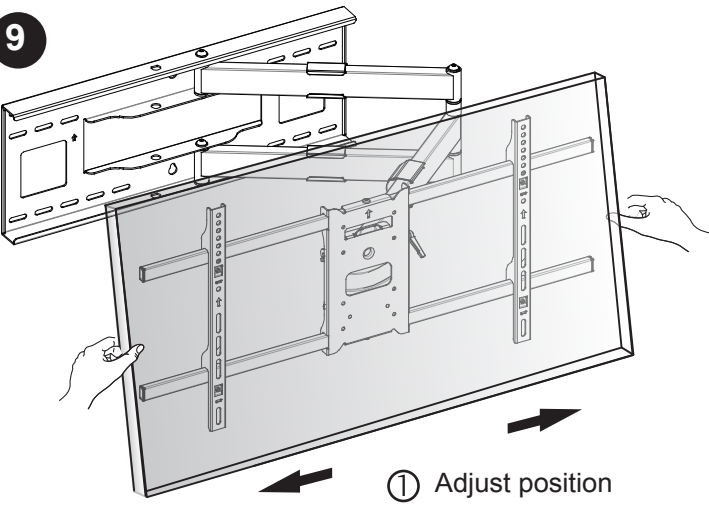
VESA(100X100 / 100X200)



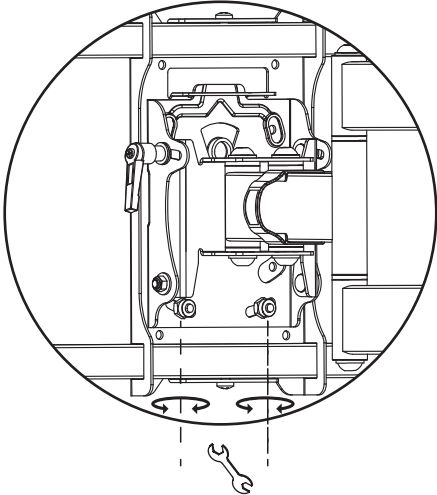
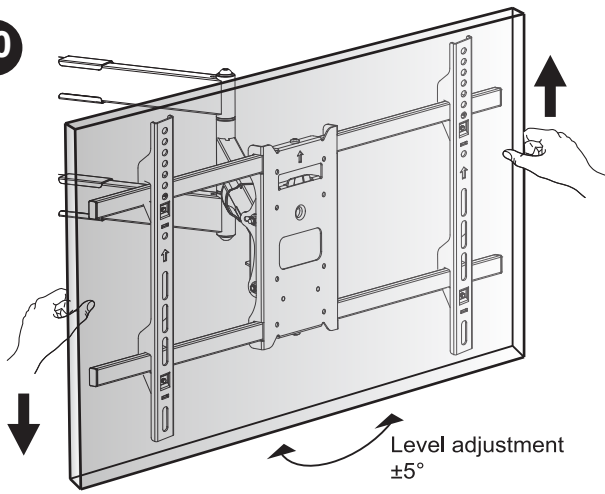
8



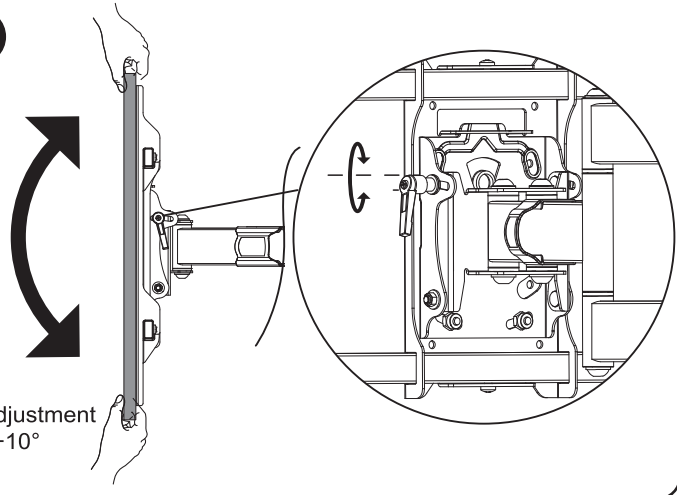
9



10



11



12

