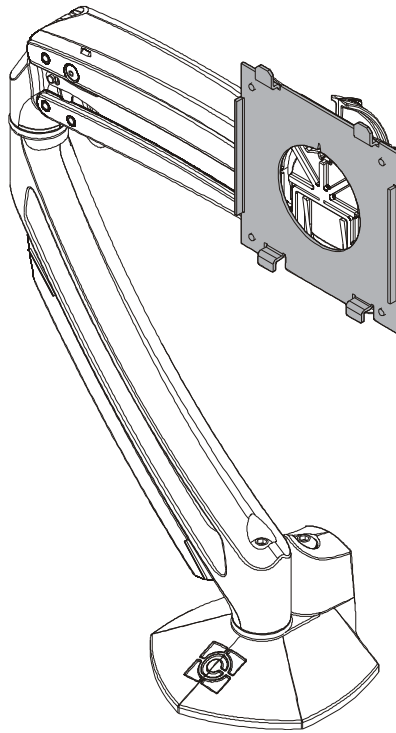
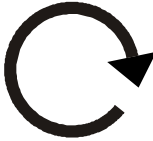

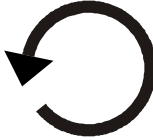










INSTALLATION INSTRUCTIONS

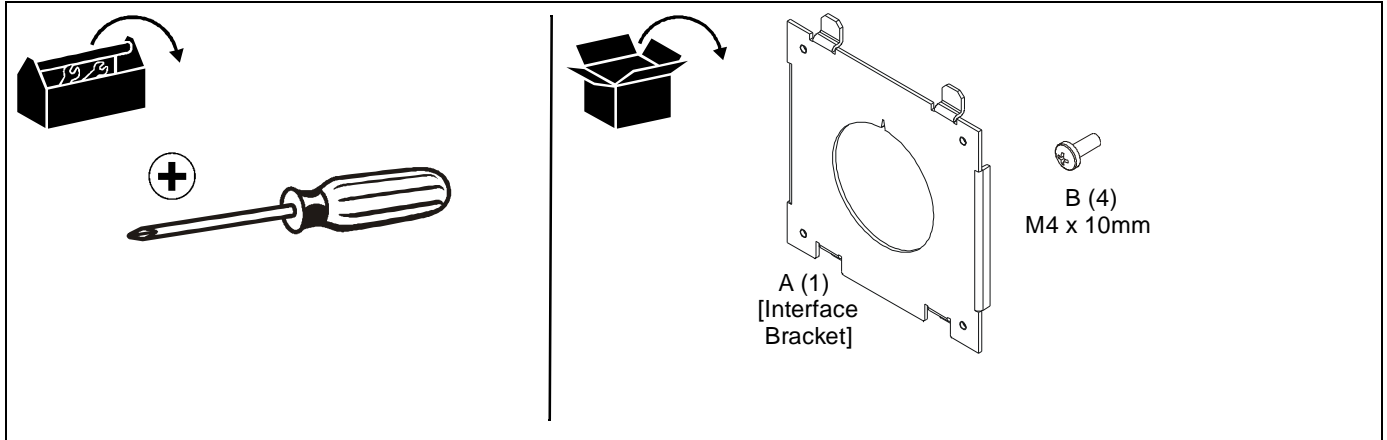


Custom Quick-Connect Brackets

LEGEND

	Tighten Fastener Apretar elemento de fijación Befestigungsteil festziehen Apertar fixador Serrare il fissaggio Bevestiging vastdraaien Serrez les fixations		Pencil Mark Marcar con lápiz Stiftmarkierung Marcar com lápis Segno a matita Potloodmerkteken Marquage au crayon
	Loosen Fastener Aflojar elemento de fijación Befestigungsteil lösen Desapertar fixador Allentare il fissaggio Bevestiging losdraaien Desserrez les fixations		Drill Hole Perforar Bohrloch Fazer furo Praticare un foro Gat boren Percez un trou
	Phillips Screwdriver Destornillador Phillips Kreuzschlitzschraubendreher Chave de fendas Phillips Cacciavite a stella Kruiskopschroevendraaier Tournevis à pointe cruciforme		Adjust Ajustar Einstellen Ajustar Regolare Afstellen Ajuster
	Open-Ended Wrench Llave de boca Gabelschlüssel Chave de bocas Chiave a punte aperte Steeksleutel Clé à fourche		Remove Quitar Entfernen Remover Rimuovere Verwijderen Retirez
	By Hand A mano Von Hand Com a mão A mano Met de hand À la main		Optional Opcional Optional Opcional Opzionale Optie En option
	Hex-Head Wrench Llave de cabeza hexagonal Sechskantschlüssel Chave de cabeça sextavada Chiave esagonale Zeskantsleutel Clé à tête hexagonale		Security Wrench Llave de seguridad Sicherheitsschlüssel Chave de segurança Chiave di sicurezza Veiligheidsleutel Clé de sécurité

TOOLS/PARTS FOR INSTALLATION



Assembly And Installation

1. Use four M4x10mm Phillips pan machine screws (B) to secure KSA1250 interface bracket (A) to K1 Series faceplate. (See Figure 1)

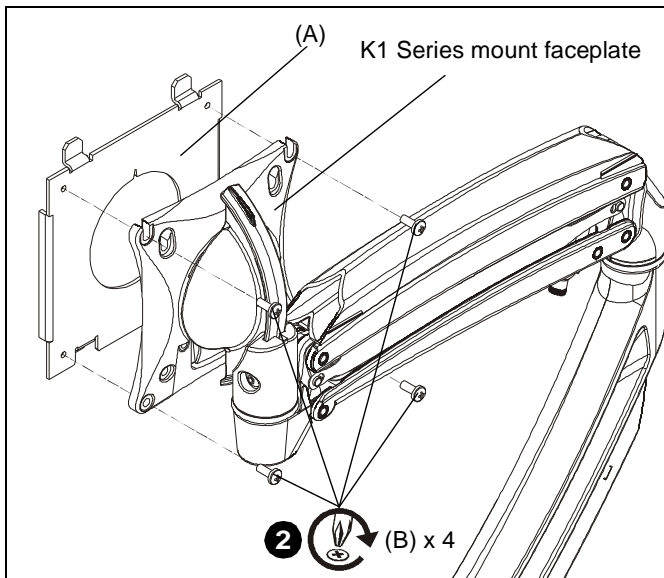


Figure 1

2. Install K1 Series mount to desk following K1 Series Installation Instructions.

Display Installation

IMPORTANT ! : KSA1250 interface brackets are designed specifically for Dell's quick-connect style monitors. Do not attempt to install any other type of monitors to these mounts!

1. Position monitor over mounting tabs on quick-connect bracket (A). (See Figure 2)
2. Lower monitor onto quick-connect bracket, inserting mounting tabs into top two top mounting holes on back of monitor. (See Figure 2)

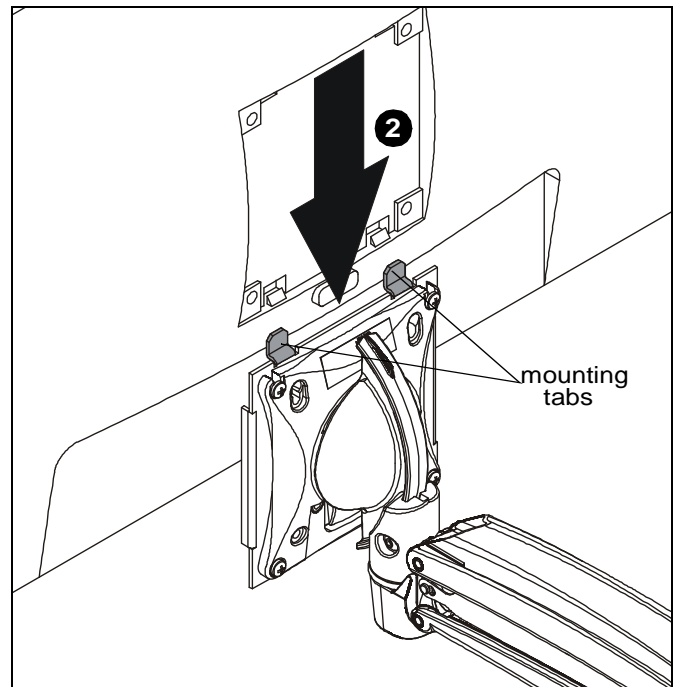


Figure 2

- Slide base of monitor towards mount until lower tabs secure display to mount. An audible “click” should be heard. (See Figure 3)

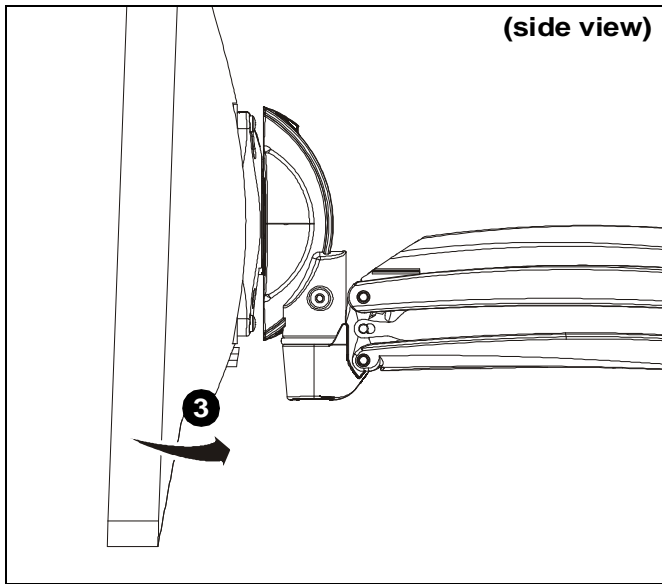


Figure 3

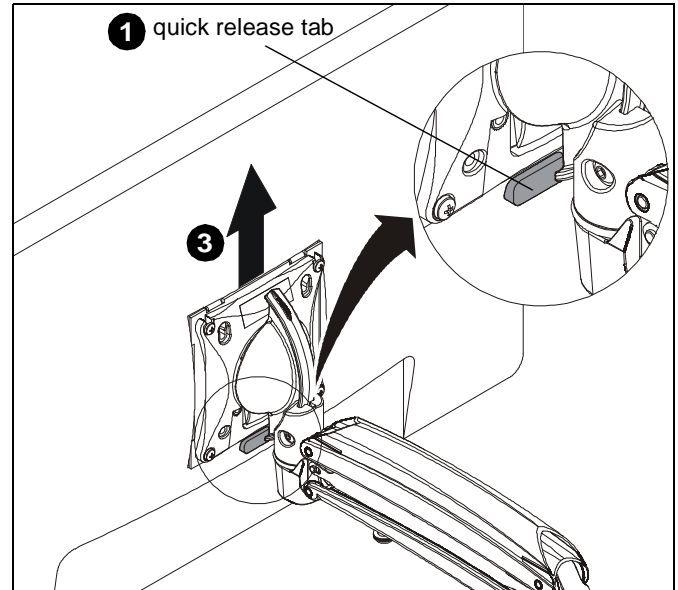


Figure 4

Display Removal



WARNING: Only remove display from mount when the display can be lifted up from the mount! DO NOT remove display unless the display is in the upright position! (See Figure 4)

- Press quick release tab on back of display to release display from faceplate. (See Figure 4)
- Pull bottom of display away from faceplate. (See Figure 5)
- Lift display up from faceplate. (See Figure 4) and (See Figure 5)

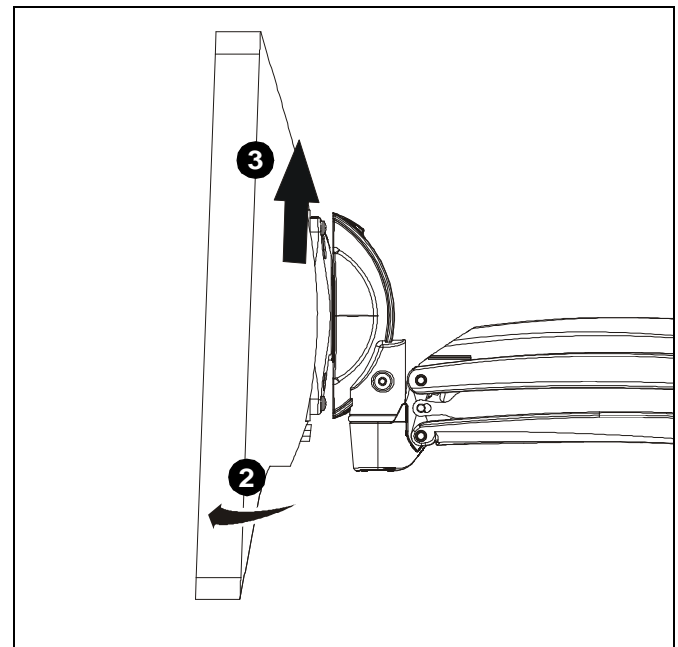


Figure 5



Our Mounts. **Your Vision.**

Chief Manufacturing, a products division
of Milestone AV Technologies

8800-002439 Rev01
©2013 Milestone AV Technologies, a
Duchossois Group Company
www.chiefmfg.com
08/13

USA/International	A 6436 City West Parkway, Eden Prairie, MN 55344 P 800.582.6480 / 952.225.6000 F 877.894.6918 / 952.894.6918
Europe	A Franklinstraat 14, 6003 DK Weert, Netherlands P +31 (0) 495 580 852 F +31 (0) 495 580 845
Asia Pacific	A Office No. 1 on 12/F, Shatin Galleria 18-24 Shan Mei Street Fotan, Shatin, Hong Kong P 852 2145 4099 F 852 2145 4477

