



SS-WM19-TLA2

# Wall Mount Speaker Bracket with Tilt, Length, and Angle Adjustment (Pair)

**Owner's Manual**



## Thank you for choosing Auray.

The heavy-duty Auray SS-WM19-TLA2 wall-mount brackets feature all-steel construction and are built to hold PA speakers with 1 $\frac{3}{8}$ -inch holes. The rugged wall-mount design will hold speakers up to 88 pounds and allow you to adjust the arm length, angle, and tilt for optimum speaker placement. The arm length adjusts from 12 to 19 inches to accommodate a wide range of speaker depth. An integrated safety pin and chain provide extra security for your mounted speakers. Five-point wall brackets attach to any flat surface and provide flexible speaker placement options for venues like clubs, theaters, and function halls.

## Precautions

- Please read and follow these instructions, and keep this manual in a safe place.
- Handle the unit with care.
- Clean the unit with only a soft, dry cloth.
- Make sure everything is secure before proceeding.
- Do not exceed the maximum load capacity.
- All images are for illustrative purposes only.

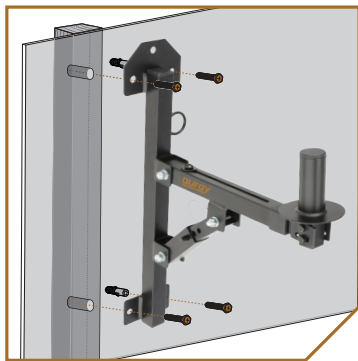
## Mounting Instructions

1. Use the wall plate to mark the position of the mounting holes on the wall.
2. Drill holes in the marked locations. Make appropriately sized holes for the wall anchors, molly bolts, or toggle bolts. If you're using wall anchors, tap the anchors into the holes.

**Note:** Many wall anchors and molly bolts are self-tapping and don't require a drill for installation.

3. Put the plate against the wall, and insert screws (for wall anchors), molly bolts, or toggle bolts through the holes, and fasten them until they're fully tightened, and the wall bracket is secure.

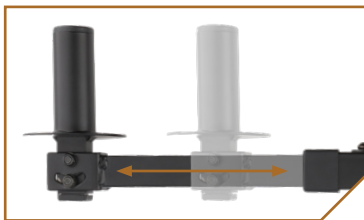
**Note:** When screwing the plate directly into a wall stud, make sure at least two screws are attached to the stud.



## Length Adjustment



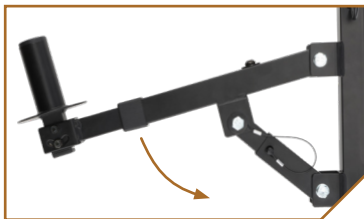
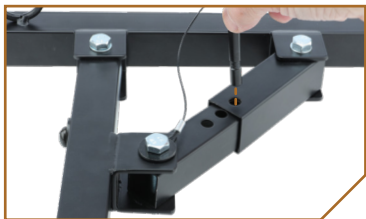
Use the included hex wrench to loosen the locking screw and adjust the length of the arm.



Once the arm length is adjusted, tighten the locking screw until the arm is secure.

## Arm Angle Tilt Adjustment

Adjust the arm angle to one of the three preset positions, and insert the safety pin.



## Speaker Tilt Adjustment

**Important!** Remove the speaker from the bracket when adjusting the arm angle, or ensure the speaker is supported from below if it can't be removed from the bracket.

Loosen the nuts, and move the speaker mount to the appropriate tilt position. Tighten the nuts until secure.



## Specifications

**Mount:** 1.375 in. (35 cm)

**Material:** Steel

**Tilt Adjustment:** 0°, 5°, 13°

**Load Capacity:** 88 lb. (40 kg) each

**Arm Length:** 12 to 19 in. (30.5 to 48.3 cm)

**Arm Angle:** 3 position with safety pin and chain

**Wall Bracket Dimensions (H × W):** 19.63 × 4.3 in. (49.9 × 10.9 cm)

**Weight:** 4.51 lb. (2.04 kg)

# One-Year Limited Warranty

This Auray product is warranted to the original purchaser to be free from defects in materials and workmanship under normal consumer use for a period of one (1) year from the original purchase date or thirty (30) days after replacement, whichever occurs later. The warranty provider's responsibility with respect to this limited warranty shall be limited solely to repair or replacement, at the provider's discretion, of any product that fails during normal use of this product in its intended manner and in its intended environment. Inoperability of the product or part(s) shall be determined by the warranty provider. If the product has been discontinued, the warranty provider reserves the right to replace it with a model of equivalent quality and function.

This warranty does not cover damage or defect caused by misuse, neglect, accident, alteration, abuse, improper installation or maintenance. EXCEPT AS PROVIDED HEREIN, THE WARRANTY PROVIDER MAKES NEITHER ANY EXPRESS WARRANTIES NOR ANY IMPLIED WARRANTIES, INCLUDING BUT NOT LIMITED TO ANY IMPLIED WARRANTY OF MERCHANTABILITY OR FITNESS FOR A PARTICULAR PURPOSE. This warranty provides you with specific legal rights, and you may also have additional rights that vary from state to state.

To obtain warranty coverage, contact the Auray Customer Service Department to obtain a return merchandise authorization ("RMA") number, and return the defective product to Auray along with the RMA number and proof of purchase. Shipment of the defective product is at the purchaser's own risk and expense.

For more information or to arrange service, visit [www.aurayaudio.com](http://www.aurayaudio.com) or call Customer Service at 212-594-2353.

Product warranty provided by the Gradus Group.

[www.gradusgroup.com](http://www.gradusgroup.com)



GG1

AURAY is a registered trademark of the Gradus Group. © 2022 Gradus Group LLC. All Rights Reserved.