



PAD-SCGSI

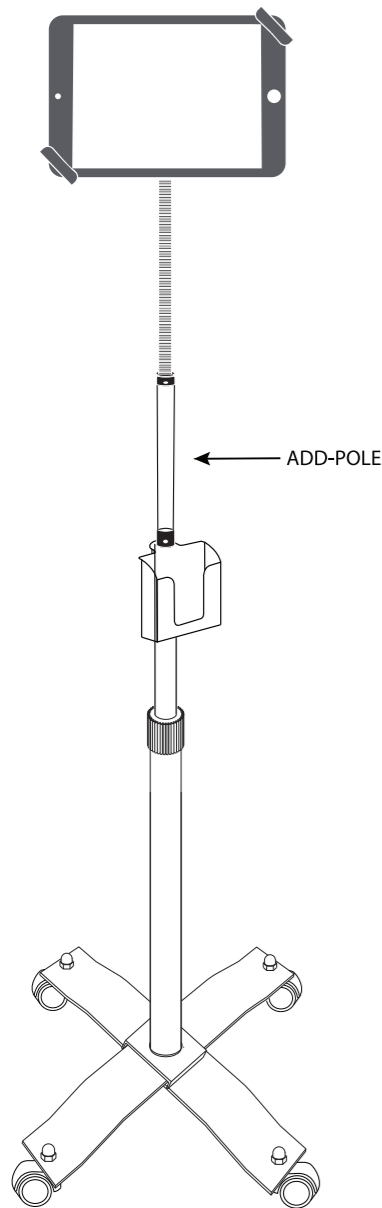
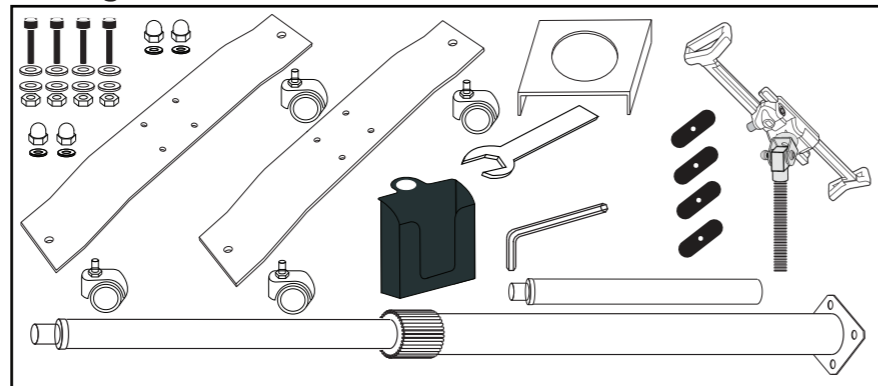
CTA DIGITAL

Compact Security Gooseneck Floor Stand & Connecting Pole Add-on

for 7-13 inch Tablets INSTRUCTION MANUAL

Thank you for choosing CTA Digital's product. We hope that you will enjoy using it. Please follow the guidelines and instructions as laid out in this instruction manual.

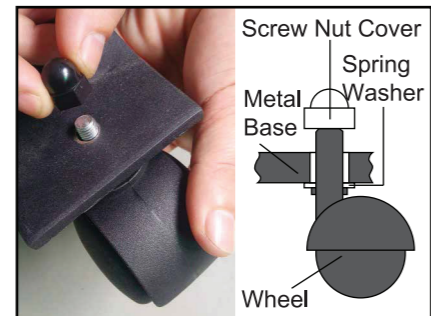
Package Contents:



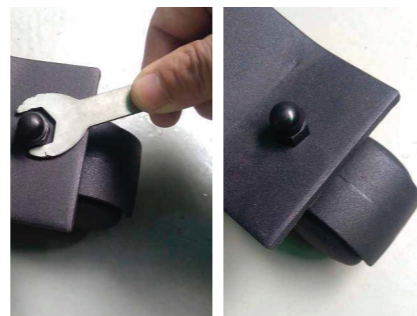
1. Installing the Wheels



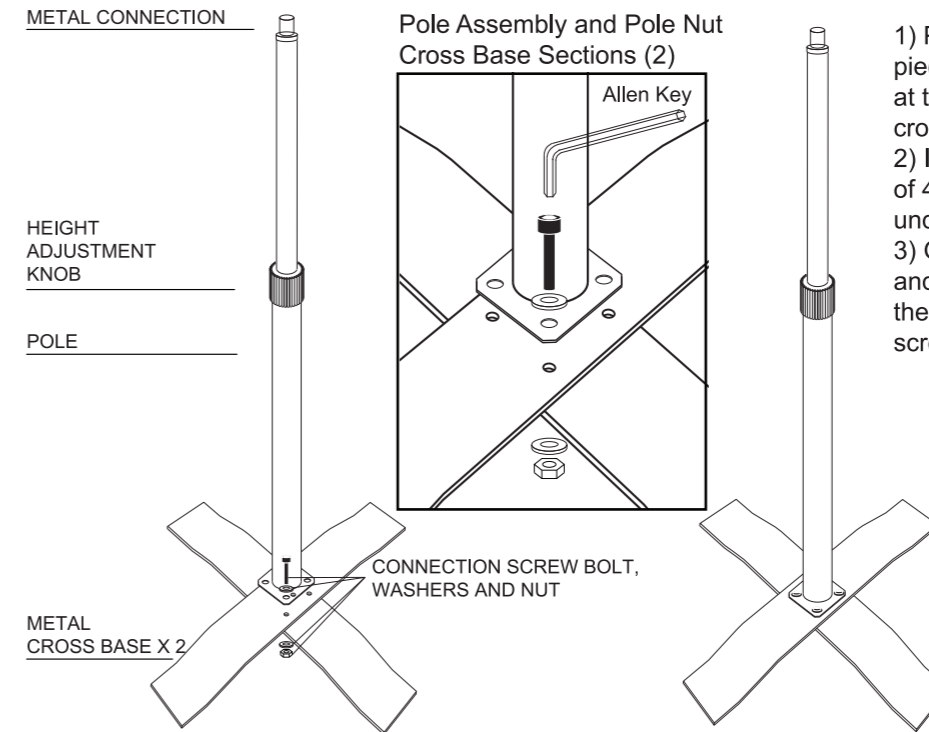
Place a spring washer over the screw bolt on the wheel.



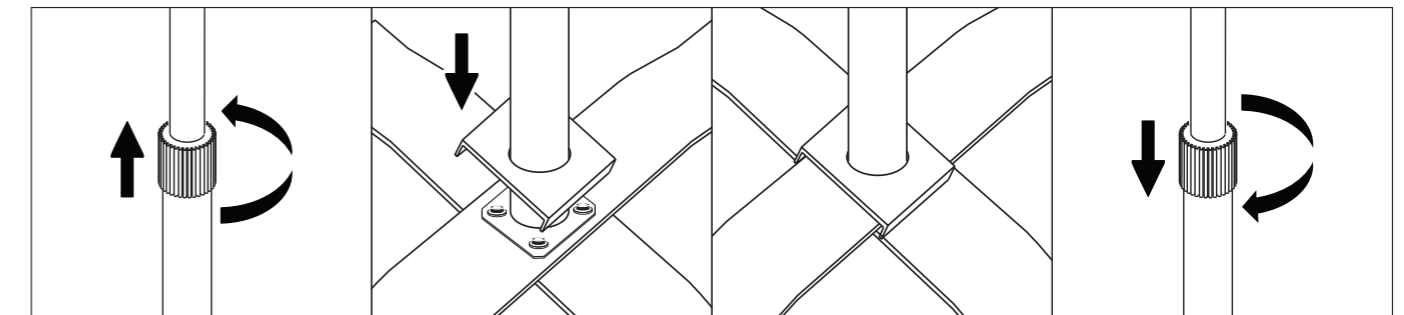
Place the screw bolt from each wheel through the metal base, then place a nut cover on the top of each. Screw down clockwise by hand, then use wrench to tighten



3. Base Assembly and Connecting the Metal Cover:

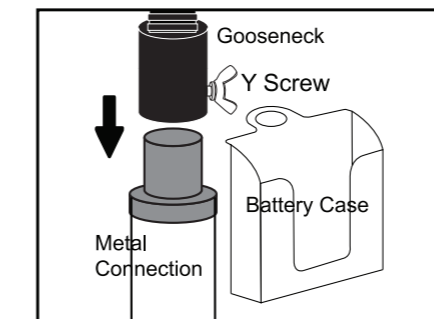


- 1) Place the metal base pieces with the higher piece on top of the cross base. Align the holes at the bottom of the pole with the holes on the cross base.
- 2) Insert a screw bolt with a washer into each of 4 holes. Place another washer on the underside of each screw bolts.
- 3) Grip the nut on the underside with one hand, and use the other to tighten each screw with the Allen key. Repeat to tighten all four screw bolts.

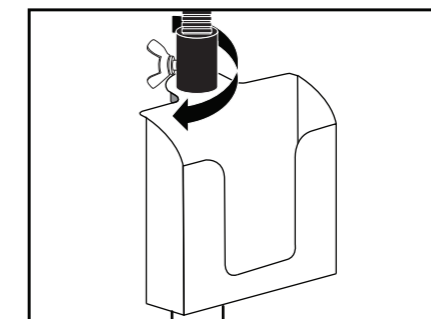


4. Rotate the grip counter clockwise to loosen completely and remove from top of pole.
5. Place the square metal cover over the top of the pole and slide down to stand base.
6. Place grip back over stand pole and tighten.

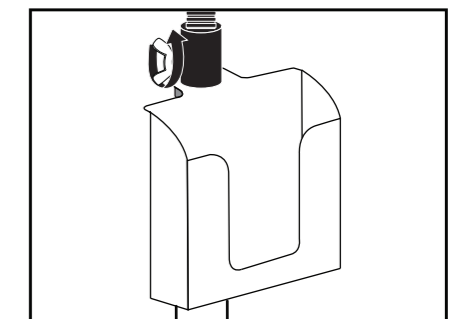
4. Connecting the Tablet gooseneck holder & Battery Case



1. Place battery case over top of metal connection.
Note: if Y screw is already in, unscrew before attaching gooseneck.

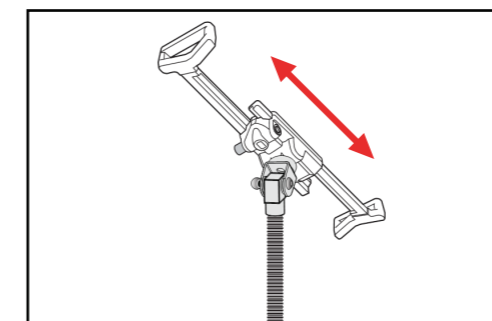


2. Screw the gooseneck onto the metal connection of the pole by turning clockwise. Be sure that the battery case is on the opposite side of the pole as the Y screw.

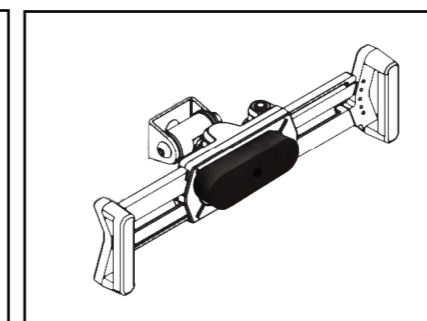


3. Turn the Y screw clockwise to tighten the connection.

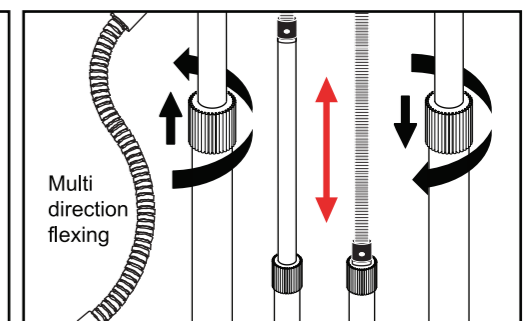
5. Installing your Device and Adjusting the Tablet Holder



4. Expand tablet holder to fit tablet at corners where it doesn't obstruct tablet camera and push together until it's a tight fit.



5. Use provided foam pads to adjust your device's fit onto the holder.



6. Rotate plastic grip counter-clockwise to loosen, then adjust pole to desired height. Rotate plastic grip clockwise to tighten.