

**impact**<sup>®</sup>



LS-CB6

Combo Boom Stand  
(12.95 ft.)

**INSTRUCTIONS**

# Introduction

## **Thank you for choosing Impact.**

Thank you for your purchase of this sturdy, versatile Impact LS-CB6 Combo Boom Stand. This convertible aluminum light stand/boom stand provides rock-solid support and allows you to put your light exactly where you want it to be.

The top of the Combo Boom Stand can be swiveled out and used as a boom arm, with a usable boom length of 46-84 in. It can support as much as 6.5 lbs with the boom extended to 60 in. and the appropriate amount of counterweight balancing the boom arm and stabilizing the base. A reversible stud with 1/4" and 3/8" threads at the end of the boom arm can be used to mount a light head or other accessory. When used as a stand, the maximum stand height is 12.95 ft. and the maximum load capacity is 25 lb.

## **Key Features**

### **Telescoping Light Stand**

The height of the light stand can be adjusted by extending the individual sections. The light stand can be raised up to 12.95 ft. The Combo Boom Stand folds down to 45 in. in length, a standard length able to fit into many carrying bags for light stands.

### **Adjustable Boom Stand**

The top section of the Combo Boom can be converted for use as a boom arm that has an adjustable length of 46 to 84 in. A reversible stud with 3/8" and 1/4" screws is provided for mounting light heads or other accessories.

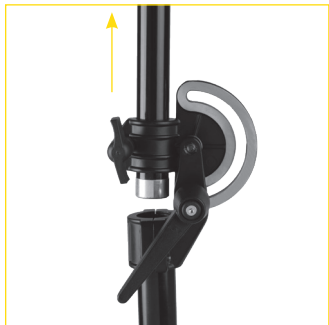
# Height Adjustment



The height of the light stand can be adjusted by extending the individual sections – simply loosen the T-lock and extend or retract the section to the desired position, then tighten the lock. When raising to the maximum height, do not withdraw the boom section riser completely from its lower section – keep the silver collar at the end of the boom riser in the stand section at all times.

When raising the stand to the desired height, make sure all section collars are completely locked down; use the appropriate amount of counterweight at all times. The Combo Boom Stand folds down to 45 in. in length, a standard length which will fit into many carrying bags for light stands.

## Using the Boom Stand



To use the Combo Boom as a boom stand: Set up the stand. Loosen the T-lock for the second section (from the top). Loosen the ratchet handle that controls the angle of the boom. Lift the upper section of the stand straight up until the bottom of the section is exposed. Angle the section to the desired position and tighten the ratchet handle.



To extend the boom arm, loosen the topmost T-lock, pull the section out to the desired length, and tighten the T-lock securely. Be sure to tighten the ratchet handle controlling the angle of the boom before adjusting the length of the boom. Also, be sure to tighten the T-lock used to adjust the length of the boom before adjusting the angle of the boom.

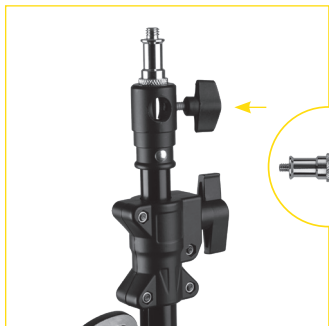
# Counterweight



Always use a counterweight with the boom arm. When mounting a light on the boom, make certain that the ratchet handle controlling the angle of the boom is tightened. Start with the boom at its shortest length and support the boom with one hand, so that the boom won't fall from the added weight. After the light is mounted, extend the boom slowly, being certain that you have enough counterweight on the opposite end of the boom.

The further the boom is extended, the heavier the counterweight should be. An empty weight bag which can be filled with sand or other material is included with the Combo Boom Stand.

## Mounting the Head



The boom arm includes a reversible mounting stud with a 1/4" screw on one end and a 3/8" screw on the other, allowing you to mount light heads or other accessories.



For additional stability, the Combo Boom Stand has a T-lock at the bottom of the center riser. If this is loosened, the center riser can be lowered to rest directly on the floor or the ground, giving you a fourth leg for increased balance and security for your light stand or boom. Be sure to tighten the T-lock once this fourth leg is in place.

## Specifications

Minimum Height	51.9 in. (131.8 cm)
Maximum Height	12.95 ft. (3.95 m)
Folded Length	45 in. (114.3 cm)
Boom Length (Extended)	84 in. (213.3 cm)
Weight	6.6 lb. (3.0 kg) with no counterweights
Leg Diameter	22 mm
Maximum Load Capacity, Stand	25 lb. (11.34 kg)
Maximum Load with Boom at 60 in.	6.5 lb. (3.0 kg)
Maximum Load with Boom at 75 in.	3.0 lb. (1.36 kg)
Air Cushioned	No
Accepts Wheels	Yes (IMCLS22)
Materials	Aluminum

## Recommended Accessories

- Impact LSA-CW10 Counter Weight (10 lb.)
- Impact GT40-218CAU Gaffer Caution Tape (2 in. x 18 yd.)
- Impact CA-108 Swivel Umbrella Adapter
- Impact CA-107 5/8 in. Receiver to 5/8 in. Pin Adapter
- Impact SRP-124 Scissor Mount for Drop Ceilings
- Impact SC-1815 Safety Cable (18 in.)

## Warnings

- Please read and follow these instructions and keep this manual in a safe place.
- Handle the unit with care.
- Clean the unit with a soft, dry cloth.
- Keep this unit away from children.
- Make sure everything is secure before proceeding.
- Make sure the item is intact and that there are no missing parts.
- Do not exceed the maximum load capacity.
- Use caution when mounting a product at the maximum load capacity.
- All photos are for illustrative purposes only.

## One-Year Limited Warranty

This Impact product is warranted to the original purchaser to be free from defects in materials and workmanship under normal consumer use for a period of one (1) year from the original purchase date or thirty (30) days after replacement, whichever occurs later. The warranty provider's responsibility with respect to this limited warranty shall be limited solely to repair or replacement, at the provider's discretion, of any product that fails during normal use of this product in its intended manner and in its intended environment. Inoperability of the product or part(s) shall be determined by the warranty provider. If the product has been discontinued, the warranty provider reserves the right to replace it with a model of equivalent quality and function.

This warranty does not cover damage or defect caused by misuse, neglect, accident, alteration, abuse, improper installation or maintenance. EXCEPT AS PROVIDED HEREIN, THE WARRANTY PROVIDER MAKES NEITHER ANY EXPRESS WARRANTIES NOR ANY IMPLIED WARRANTIES, INCLUDING BUT NOT LIMITED TO ANY IMPLIED WARRANTY OF MERCHANTABILITY OR FITNESS FOR A PARTICULAR PURPOSE. This warranty provides you with specific legal rights, and you may also have additional rights that vary from state to state.

To obtain warranty coverage, contact the Impact Customer Service Department to obtain a return merchandise authorization ("RMA") number, and return the defective product to Impact along with the RMA number and proof of purchase. Shipment of the defective product is at the purchaser's own risk and expense.

For more information or to arrange service, visit [www.impactstudiolighting.com](http://www.impactstudiolighting.com) or call Customer Service at 212-594-2353.



Product warranty provided by the Gradus Group.  
[www.gradusgroup.com](http://www.gradusgroup.com)

Impact is a registered trademark of the Gradus Group.  
© 2021 Gradus Group LLC. All Rights Reserved.