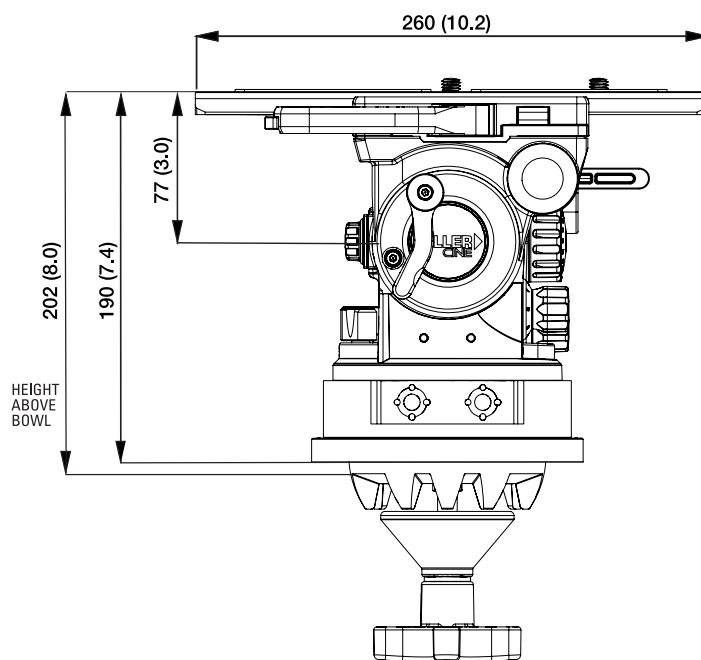
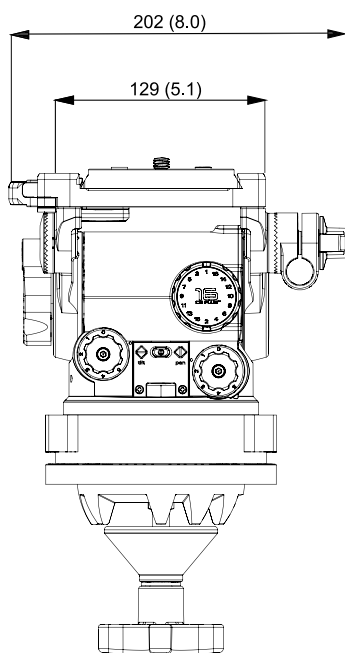




FEATURES

- Fluid drag system with smooth start and soft stop technology & balanced diagonal transitions.
- 16 positions of counterbalance.
- Payload range from 6kg (13.2lbs) up to 25kg (55.1lbs).
- Pan and tilt drag 7+0 positions.
- Side loading camera platform, with safety lock, to suite Arri/OConnor or compatible camera plates.
- 150mm camera plate sliding range
- Multiple mounting bases: CiNX is adaptable to a Mitchel base plate, 100mm or 150mm ball levelling (supplied with 100mm ball levelling).
- 4 Arri type accessory mounting points.
- Illuminated bubble level and pan-tilt drag controls.
- Precise floating pan-tilt calliper locks ensure bounce free on-off performance.
- Removable ball level stud allows for flat base mounting with 3/8" screw thread.
- Optional second pan handle mount.
- 3 years warranty.

The ultimate fluid head for heavier rigs



1107 CiNX 7 FLUID HEAD

Weight:	4.0kg (8.8lbs) 4.3kg (9.5lbs) with 100mm bowl
Payload range:	6-25kg (13.2-55lbs)
Pan/tilt drag:	7 selectable fluid drag positions + 0
Counterbalance:	16 selectable positions
Pan/tilt lock:	Positive lock caliper brake system
Tilt range:	+ 90° / -75°
Pan range:	360°
Camera platform:	Side load quick release camera plate (Arri type). Supplied with Miller #1065
Sliding range:	When used with Miller #1065 sliding range is 150mm (5.9")
Mounting base:	Flat base with 3 x M5 holes and 4 x 3/8 holes. Comes standard with Ø100mm D100 Claw Ball, Ø150mm D150 Claw Ball and Mitchell base available as optional accessories
Height above bowl:	202mm (8.0")
Height above Mitchell base:	200mm (7.9")
Illumination:	Bubble level, pan/tilt drag controls
Pan handle:	Telescopic 390 - 590mm (15.4-23.2")
Temperature range:	-40° to +65° C (-40° to +149° F)
Material:	Lightweight hi-strength diecast aluminium alloy and rigid composite polymers
Finish:	Durable black ripple (low sheen) with anti-corrosive pre-treatment
Sealing:	Water and dust resistant
Warranty:	3 Years

COMPONENTS

1107	CiNX 7 Fluid head
1065	Camera Plate (Arri Type)
698	Pan Handle HD Telescopic With Clamp
1290	D100 Claw Ball Level (includes Clamp Nut)

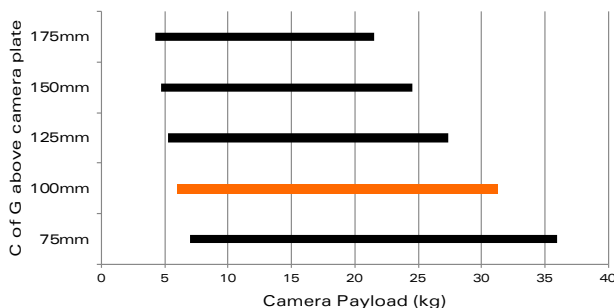
OPTIONAL ACCESSORIES

1230	Pan Handle Articulated With Extender
1238	Serrated Handle Clamp Extender
1260	Mounting Block (AX)
1225	Mitchell base adaptor with Clamp Nut
1295	D150 Claw Ball Level (includes Clamp Nut)
3602	Miller Head Case CiNX (suit D100 Bowl)

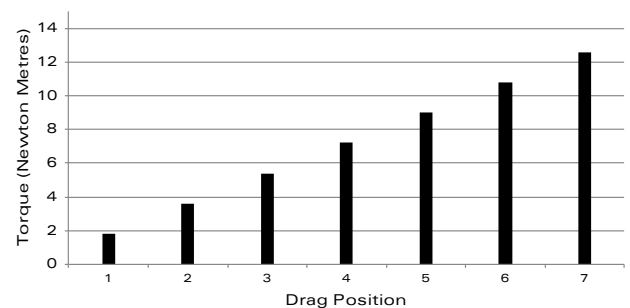
SPARES

P0037	3/8" camera screw
PN10223	Clamp Nut (to suit D100mm Bowl)
PN10456	3/8" x 1" Countersunk Socket Screw

Payload Range



Drag Torque



AUSTRALIA

Miller Camera Support Equipment
30 Hotham Parade
Artarmon, Sydney, NSW 2064
Australia

P +61 2 9439 6377 F +61 2 9438 2819
sales@miller.com.au

EUROPE

Miller Fluid Heads (Europe) Ltd.
Unit 12A, Shepperton Business Park
Govett Avenue, Shepperton
Middlesex, TW17 8BA
United Kingdom

P +44 (0) 1932 222 888 F +44 (0) 1932 222 211
sales@millertripods-europe.com

USA

Miller Camera Support LLC
216 Little Falls Road (Unit 15 & 16),
Cedar Grove, New Jersey 07009
USA

P +1 (973) 857 8300 F +1 (973) 857 8188
sales@millertripods.us

Quality
ISO 9001
SAI GLOBAL
Australia only