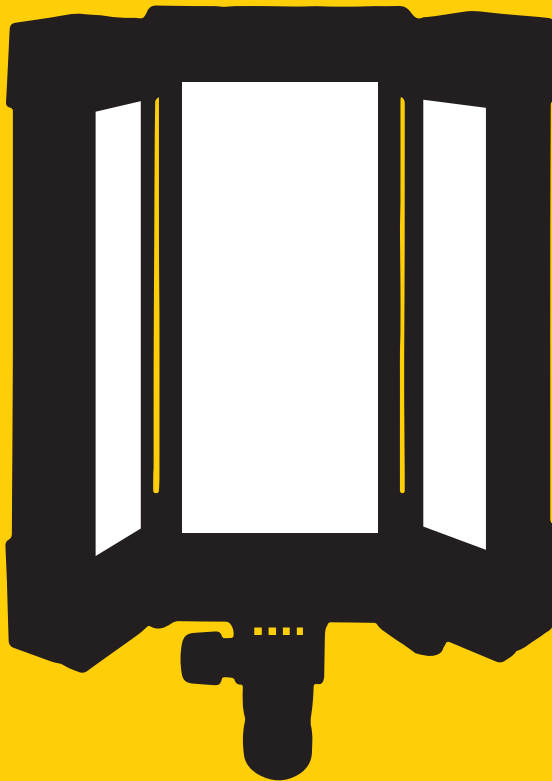




TOTA-LED-XL Daylight LED Floodlight



USER MANUAL

Thank you for choosing Lowel.

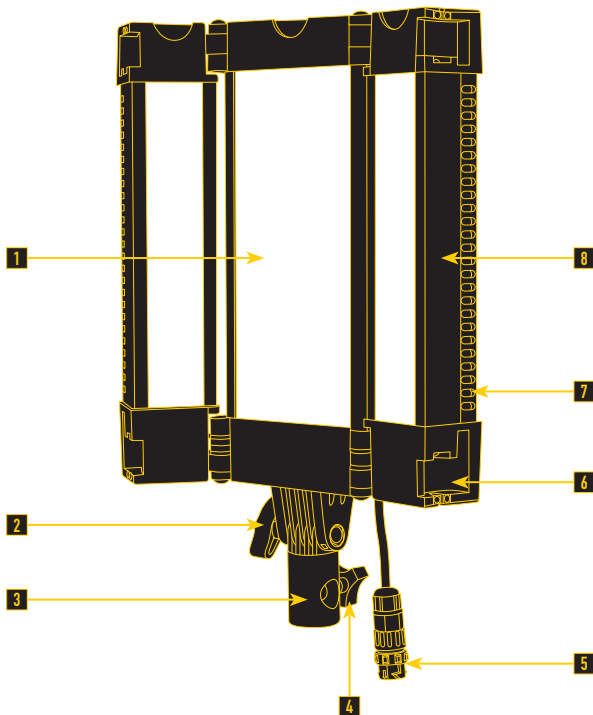
The TOTA-LED-XL is a folding daylight-balanced floodlight made for video and photography. This rugged and road-ready fixture emits 11,200 lux of flicker-free continuous light, operates on AC or battery power, and draws only 100 W. It produces a bright 60° beam that's ideal for illuminating large areas, or increasing the ambient light level of large spaces. The 8 × 8-inch LED panel is designed in three sections to fold down to half its width, so the solid metal body protects the LED panel during transport. The control box combines the power supply, controller, and AC adapter into a single unit, which makes the TOTA-LED-XL less bulky, and cuts down on clutter and extensive cabling.

Precautions

⚠ This high-powered light can become hot during use. Wait 10 to 15 minutes after use to ensure the light is cool before moving, handling, or storing.

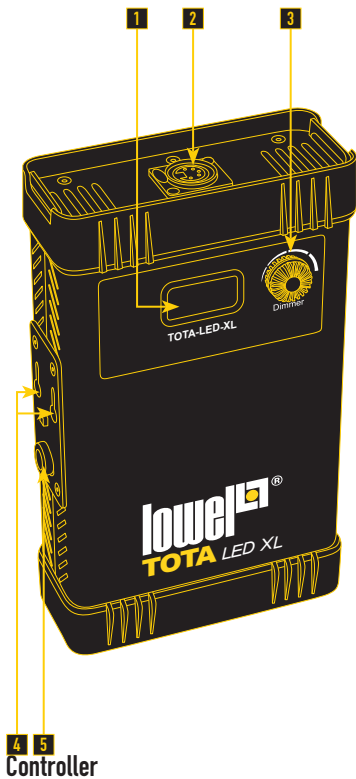
- Please read and follow these instructions, and keep this manual in a safe place.
- Make sure the power is off when the light is not in use.
- Keep this unit away from water and any flammable gases or liquids.
- Make sure the unit is powered off when plugging it into a power source.
- Use only the correct, recommended voltage.
- Do not attempt to disassemble or repair the equipment—doing so will void the warranty, and Lowel will not be responsible for any damage.
- Handle the unit with care.
- Do not stare directly at the lights when they are powered on.
- Clean the unit with only a soft, dry cloth.
- Keep this unit away from children.
- Use only parts provided by the manufacturer.
- Make sure the item is intact and that there are no missing parts.
- All images are for illustrative purposes only.

Product Overview



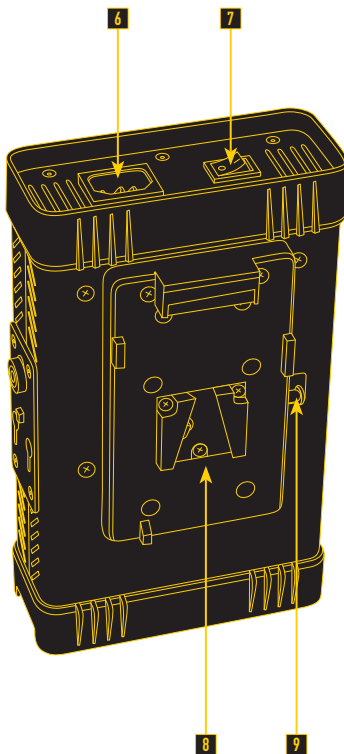
Light

- 1. LED panel
- 2. Tilt lock
- 3. 2-way 5/8 in. mounting receiver
- 4. Locking knob
- 5. DC power cord
- 6. Barndoor attachment slots
- 7. Heat sink
- 8. Folding side panels

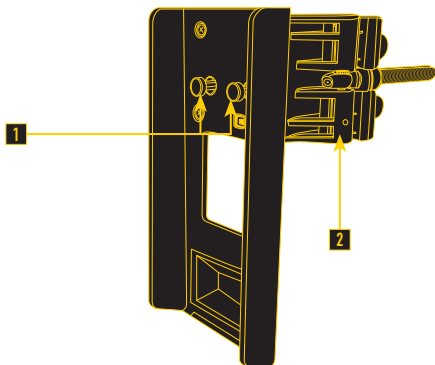


Controller

1. LCD screen
2. 5-pin XLR DC power output
3. Dimmer knob
4. Clamp attachment holes
5. Clamp release button



6. AC power input
7. Power switch
8. V-mount battery plate
9. Battery release button



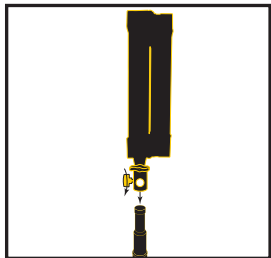
Light Stand Clamp

1. Mounting pins
2. Clamp

Also Included

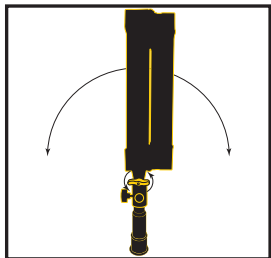
- Diffuser (x3)
- 16 ft. AC power cord
- 8.5 ft. DC power cord
- Controller strap
- Carry case

Mounting the Light



The two-way 5/8-inch receiver allows the light to be mounted vertically or horizontally.

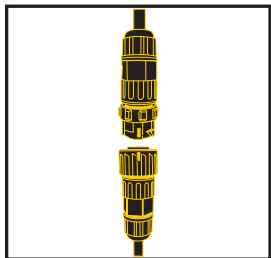
1. Tighten the tilt lock.
2. Loosen the locking knob, and place the 5/8-inch receiver on a light stand. Tighten the locking knob until secure.
3. Use the tilt lock to adjust the angle of the light.



Powering the TOTA-LED-XL

The TOTA-LED-XL can be powered directly from an AC outlet or by a 14.8-volt V-mount battery (not included).

Using the TOTA-LED-XL with AC Power

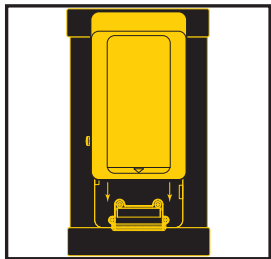


1. Plug the DC cable's 5-pin XLR connector into the controller.
2. Align the arrows on the 4-pin connector and the light's power cord, and press them together until they click into place.

Important! The connectors should easily attach. Don't use force to connect the control box to the light fixture.

3. Use the AC power cable to attach the controller to a power outlet.
4. Press the power switch.

Using the TOTA-LED-XL with Battery Power



Make sure the power switch is in the off position, and disconnect the AC adapter so the control box is not plugged into a wall outlet.

1. Align the battery terminals with the contacts in the battery mount.
2. Place the battery down into the mount, and push the battery toward the contacts until it clicks into place.

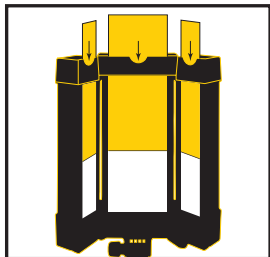
Adjusting the Light

Brightness Control



The brightness control on the control box can adjust the output from 100% to 0%.

Diffusers

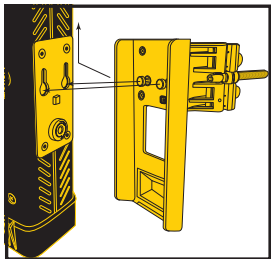


Diffusers are included for each panel to soften and spread the light.

Insert the diffusers by sliding them into the diffuser slots.

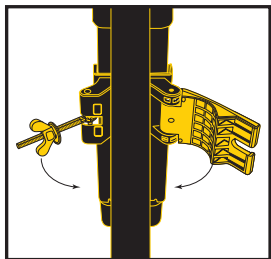
For a more direct light with greater contrast and higher output, remove the diffusers.

Attaching the Light Stand Clamp



1. Align the clamp's pins with the controller's slots and insert the pins.
2. Slide the clamp up so it locks into place.

To remove the light stand clamp, press the clamp release button. Slide the clamp down and pull it out of the slots.



3. Loosen the wing nut on the light stand clamp and open the clamp.
4. Fit the clamp around the shaft of a light stand, and tighten the wing nut until the clamp is held securely in place.

Alternate method

Use the controller strap to hang the controller from one of the light stand's locking knobs.

Specifications

LIGHT FIXTURE

LED CHIP TYPE	SMD
BEAM ANGLE	60°
COLOR TEMPERATURE	5600 K ±200 K
COLOR ACCURACY STANDARD	TLCI: ≥98 CRI: ≥96
COOLING SYSTEM	Passive
DIMMING	Yes, 0% to 100% (1% increments)
DISPLAY	LCD
HOUSING MATERIAL	Aluminum alloy
LIGHT INTENSITY @3 FT.	11,200 lx
NUMBER OF LEDS	252
EXPECTED LAMP LIFE	50,000 hr.
DIMENSIONS (H×W×D)	Light (with mount) 13.4 × 8.2 × 2.1 in. (34 × 20.9 × 5.3 cm) Controller 9.25 × 5.5 × 3.1 in. (23.5 × 14 × 7.9 cm)
WEIGHT	Light 4 lb. (1.8 kg) Controller 2.6 lb. (1.2 kg)

CONNECTORS

BATTERY PLATE	V-mount
---------------	---------

MOUNTING

FIXTURE MOUNT	5/8 in.
---------------	---------

POWER

AC INPUT POWER	90 to 240 V AC
POWER SOURCE	AC and external battery
MAX POWER CONSUMPTION	100 W
BATTERY	14.8 V
AC POWER CORD LENGTH	16 ft. (4.9 m)
DC POWER CORD LENGTH	8.5 ft. (2.6 m)

One-Year Limited Warranty

Lowel-Light Manufacturing, Inc. ("Lowel") warrants this product to the original purchaser, under normal use, in accordance with operating instructions, will perform to the specifications published by Lowel at the time of purchase, for a period of one year from the date of purchase by the consumer.

In the event of a defect reported by the consumer within the applicable time period, Lowel will, at its option, replace or repair the defective merchandise at no charge to the consumer for either parts or labor. If the product has been discontinued Lowel reserves the right to replace the product with a model of equivalent quality and function.

Warranty Exclusions

THE WARRANTY SET FORTH ABOVE IS THE ONLY WARRANTY MADE BY LOWEL WITH RESPECT TO THIS LOWEL PRODUCT AND LOWEL DISCLAIMS ALL WARRANTIES OF MERCHANTABILITY AND FITNESS FOR A PARTICULAR PURPOSE AND ANY LIABILITY WITH RESPECT TO SAME WHETHER IN CONTRACT, TORT OR OTHERWISE. IN NO EVENT SHALL LOWEL BE LIABLE FOR LOST PROFITS, OR ANY CONSEQUENTIAL OR INCIDENTAL DAMAGES INCURRED BY THE CONSUMER.

Some states do not allow limitations on how long an implied warranty lasts, and some states do not allow the exclusion or limitation of incidental or consequential damages, so the above limitation may not apply to you.

To obtain warranty coverage, email Tiffen Technical Support at techsupport@tiffen.com or call 1-800-645 2522 to obtain a Return Authorization (RA) number, return the defective product to Tiffen. Please be sure to include the RA number and proof of purchase. Shipment of the defective product is at the purchasers own risk and expense.

For more information email us at info@tiffen.com.

©2022 The Tiffen Company LLC.
All Rights Reserved.

Other product and/or corporate names that are mentioned are property of their respective owners.