



Videology

Industrial-Grade Cameras

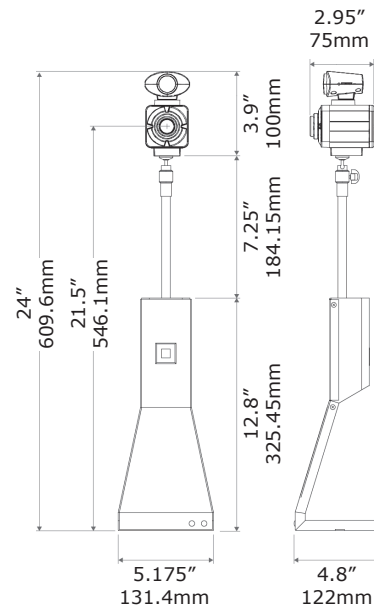
an inTEST Company

Full HD FLASH-SYNC for Facial Photo ID System Precision Pixel Matched Lensing Larger Sensor Pixels

24C708AF-SYS-1 REAL ID compatible

Product Features

- Non-tilting stand
- **Synchronized USB powered LED flash for consistent high quality images in any environment**
- FHD progressive scan sensor for 1920 x 1080 still images
- Both Compressed (MJPEG) and Raw video (YUY2) outputs supported. Still image capture only with MJPEG
- USB 2.0 bus provides power, camera and flash control
- UVC compliant
- Convenient manual dial allows customized flash intensity
- 1/4 20 mount is on base for tripod use
- Full SDK available for integration into customer applications - *Check with Sales*
- TWAIN compatible
- **NOTE: Neutral Gray backdrop is recommended**



Technical Specifications

		24C708AF-SYS-1	
Image Sensor Size		1/2.7"	
Pixel Size		3µm x 3µm	
Resolution and Frame Rates	MJPEG compressed	Still Capture choices	1920x1080 (recommended) 1280 x 1024 1280x720 640x480
	YUY2 uncompressed	Video Capture choices. Still image not possible	1920x1080/5fps 1280 x 1024/10fps 1280x720/20fps 640x480/30fps
Sensitivity		0.1LUX/F2.0	
Signal to Noise Ratio		>65dB	
Shutter Mode		Electronic rolling shutter	
Field of View (H x V)		40° x 30°	
Video Output		USB 2.0	
Power Supply		5VDC via USB 2.0 bus	
Power Consumption		<200mA	

UVC Controls

Still Capture	Selectable
Flash	Selectable via Videology viewer or TWAIN
Focus	Manual Preset for 4-8 feet
Image Controls	Contrast, Brightness, Hue, Resolution, Gamma, White Balance, Exposure
Gain	Fixed

Software

SFT-15003 rev 2.2.0.1 or above	• Videology viewer with active features
SFT-10011 rev 2.1.26 or above	• TWAIN Data Source

Recommended System Requirements

Hardware	Requires USB 2.0 or USB 3 backwards compatible UVC compliant ports
Operating Systems	Windows XP, 7, 8, 10 Linux 2.6.26 Android 4.0 above (potential) Mac OS 10.4.8 or above (potential)

Lens

3MP M-12 Board Mount	Customized precision 12mm focal length with high uniformity, MTF matched to sensor. Depth of Field optimized for facial still image capture (4-8 feet range). <i>Mechanical preset selectors to extend this range are in design for release by July, 2021</i>
----------------------	------------------------------------------------------------------------------------------------------------------------------------------------------------------------------------------------------------------------------------------------------------------

Environmental

Operating Temperature	-15°C - 55°C (5°F-131°F)
-----------------------	--------------------------

Mechanical

Dimensions W x H x D	131.4mm x 609.6mm x 122mm (5.175" x 24" x 4.8")
Weight	1.587g (3.5lb)
Included Cables	60C1138 - 2.5mm stereo (6" plug to plug) 60C1147 - USB 2.0 A to mini B cable (10ft)
Included Tripod Mount	1/4 20 mount for easy mounting capability



** under ideal conditions wrt face distance, lighting, FOV, motion & software

www.videologyinc.com

HEADQUARTERS LOCATION

Videology Industrial-Grade Cameras
35 Hampden Road
Mansfield, MA 02048 | United States

EUROPE LOCATION

Videology Industrial-Grade Cameras
High Tech Campus 5
5656 AE Eindhoven | The Netherlands



Excellence.
Every day. Every time.