



# **Mars M1 Wireless Transceiving Monitor**

User Manual

V1.0.0

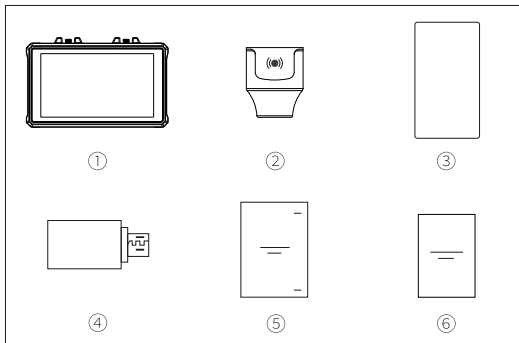
# Introduction

Thank you for purchasing Hollyland Mars M1 Wireless Transceiving Monitor.

This wireless transceiving monitor system adopts the latest image encoding and decoding technology supporting 5G frequency band transmission. It can work either at the transmitting or receiving end, rendering a unique long-range and low-latency video monitoring experience.

This User Manual will guide you through the installation and use of the equipment.

# Packing List

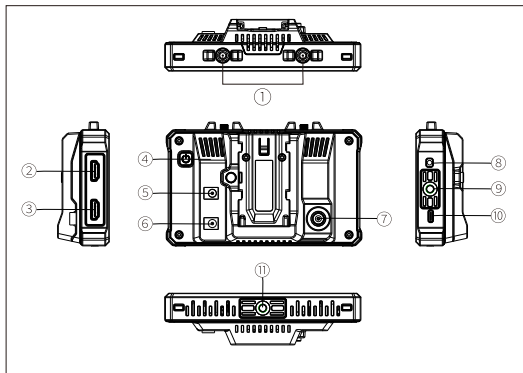


## Packing List

① Monitor	×1
② Lollipop Stubby Antenna	×2
③ Tempered Glass Film	×1
④ OTG Adapter	×1
⑤ User Manual	×1
⑥ Warranty Card	×1

Note: The amount of the items listed above depends on the edition.

## Product Interfaces



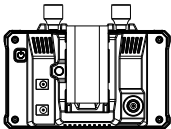
- ① RP-SMA Antenna Male Connector
- ② HDMI Input
- ③ HDMI Output/Loop out
- ④ Power Button
- ⑤ DC Output (supply power to external device)
- ⑥ DC Input (power supply to the monitor)

- ⑦ SDI Input
- ⑧ 3.5mm Headphone Jack
- ⑨ 1/4 Threaded Hole
- ⑩ USB Type-C Port
- ⑪ 1/4 Threaded Hole

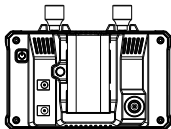


# Quick Guide

## Power On

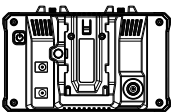


Step 1: Install the F970 battery or connect to the DC power supply



Step 2: Press and hold the power button for 3 seconds to turn on the device

## Setting up as Transmitting Monitor



Step 1: Connect the device to the video source via the SDI or HDMI interface, wait for the screen to display normally.



Step 2: Tap on the icon on the lower right corner of the screen to enter the settings menu.



Step 3: Tap Pair to start pairing with the receiver end; the system is compatible with any Hollyland Mars series receiver device.



Step 4: The receiver will indicate that the connection is successful when the pairing completes. After proper setup, both the Mars M1 monitor and the receiver end will be able to display the video source image.

# Quick Guide

## Setting up as Receiving Monitor

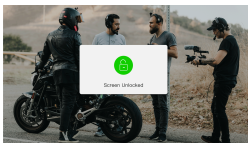


Step 1: Tap Pair on the settings menu to start pairing with the transmitter end, which can be any Hollyland Mars series transmitter device.



Step 2: When the pairing completes, and if the transmitter end has a video source input, the Mars M1 monitor as the receiving end will display the received image normally.

## Unlock/Lock Screen



Unlock screen: Click the Power Button to unlock the device when it's in the locked state.



Lock screen: When the device is powered up, click the Power Button to lock the screen.

## Settings

### Frequency Setting

Tap to select the channel number in the frequency list to change the connection frequency for the device.

Note: Some mobile devices do not support WiFi connection under CH3-CH10 frequency. Please switch to other frequencies for WiFi connection.

Frequency Setting:



### Device Mode Switch

The Mars M1 monitor can switch between the Transmitter and Receiver modes. Tap to select the desired mode option, wait for the device to restart, and complete the mode switching.

Device Mode Switch :

Transmitter

Receiver

# Quick Guide

## Pairing

After the device is powered on and the screen displays the frequency point number, it's ready to operate the pairing.

One-to-one pairing: Press the pairing buttons of both the transmitter and receiver at the same time to activate pairing.

One-to-two pairing: After the transmitter is paired with receiver 1, the transmitter is then paired with receiver 2. The transmitter cannot be paired with two receivers at the same time.

Note: Compatible with Mars 300 Pro and Mars 400s Pro



## Firmware Upgrade

1. Copy the firmware upgrade file to a USB disk ;
2. Turn on the device, attach the USB disk with the OTG Adapter, and connect the latter to the Mars M1 monitor via the USB Type-C port ;
3. Wait for the system to enter the system upgrade interface automatically;
4. After the upgrade is complete, wait for the device to restart automatically to complete the upgrade.

Note: Please ensure a stable power supply during the upgrade process to avoid power failure.

## APP Operations

### APP Installation and Monitoring on iOS and Android Systems

1. Search the Hollyview APP on APP Store or Google Play, download and install the APP on the mobile device.
2. Pairing with auto-scan: Launch the APP and start auto-scanning to pair up with the Mars M1 monitor. Once paired, the APP screen will display the video image from the monitor.
3. Pairing with manual ID input: Launch the APP and manually enter the device ID number to pair up. Once paired, the APP screen will display the video image from the monitor.

## LUT Settings

Tap the LUT icon in the main menu at the bottom of the Mars M1 main screen to open the LUT settings menu and perform the following operations:

### Import LUT

1. Put the LUT files in a USB disk formatted as FAT32, and attach it to the OTG adapter connecting to the Mars M1 monitor via the USB Type-C port.
2. Tap the LUT icon in the main menu, select the "Import LUT" option from the settings menu, and wait for the system to retrieve and import the LUT files from the USB disk.  
Note: The suffix of the LUT file must be .cube, and the file name cannot exceed 128 characters.
3. Tap select a file for import, then tap the desired position from the F1, F2, F3, F4, or F5 buttons in the menu to locate the file.
4. Tap "Import LUT" to import the corresponding LUT file to the corresponding button option.

**RGB and BGR Color Charts:** The system's default option is the RGB color chart. Tap on the toggle icon in the menu to switch to the BGR color chart.

### LUT Application:

Tap the LUT icon in the main menu activates the function. The LUT file on the F1 button will be applied by default.  
Tap to select the corresponding LUT file on the F2, F3, F4, or F5 button to change.  
Tap the selected F1~F5 button again to deselect the corresponding LUT file.  
Tap on the LUT icon or elsewhere on the screen to close the LUT settings menu.

**Check LUT File Name:** After the selected LUT file is applied, the corresponding LUT file name will be displayed on the top info bar.

Note: The five camera LUT files by factory default are as follows:

- F1: Canon\_C-Log.cube
- F2: Canon\_C-Log2.cube
- F3 Sony\_S-Log.cube
- F4 Sony\_SLog2.cube
- F5 Slog3to709TypeA.cube

# Parameters

	Transmitter Mode	Receiver Mode
Video Input Interface	SDI input (BNC female) HDMI input (Type-A female)	
Video Output Interface	HDMI output (Type-A female)	HDMI output (Type-A female)
Antenna Interface	Two RP-SMA male interfaces	Two RP-SMA male interfaces
Power Input Interface	DC power input	DC power input
Power Output Interface	DC power output	DC power output
Headphone Jack	3.5mm jack	3.5mm jack
Firmware Upgrade Interface	USB Type-C	USB Type-C
Screen Size	5.5" touch screen	5.5" touch screen
Screen Resolution	1920x1080 pixels	1920x1080 pixels
Pixel Density	403PPI	403PPI
Aspect Ratio	16:9	16:9
Brightness	1000nits	1000nits
Contrast Ratio	1000:1	1000:1
Supply Voltage Range	7-16V DC, nominal 12V	7-16V DC, nominal 12V
Power Consumption	<14.5W(without DC output)	<10W(without DC output)
Net Weight	380g (antennas excluded)	380g (antennas excluded)
Dimension	(LxWxH):152x96x40mm (antennas excluded)	(LxWxH):152x96x40mm (antennas excluded)

# Parameters

Input Video Formats	HDMI:	/
	720P50/59.94/60 Hz	/
	1080I50/59.94/60 Hz	/
	1080P23.98/24/25/29.97/30/50 /59.94/60 Hz	/
	3840x2160P23.98/24/25/29.97/ 30 Hz	/
	4096x2160P23.98/24/25/29.97/ 30 Hz	
	SDI:	
	720P50/59.94/60 Hz	/
	1080I50/59.94/60 Hz	/
1080P23.98/24/25/29.97/30/50 /59.94/60 Hz	/	
Output Video Formats	HDMI in HDMI out:	HDMI out:
	720P50/59.94/60 Hz	720P50/59.94/60 Hz
	1080I50/59.94/60 Hz	1080I50/59.94/60 Hz
	1080P23.98/24/25/29.97/30/50 /59.94/60 Hz	1080P23.98/24/25/29.97/30/ 50/59.94/60 Hz
	3840x2160P23.98/24/25/29.97/ 30 Hz	1080P50/59.94/60
	4096x2160P23.98/24/25/29.97/ 30 Hz	1080P50/59.94/60
	SDI in HDMI out:	
	720P50/59.94/60 Hz	720P50/59.94/60 Hz
	1080I50/59.94/60 Hz	1080I50/59.94/60 Hz
1080P23.98/24/25/29.97/30/50/ 59.94/60 Hz	1080P23.98/24/25/29.97/30 /50/59.94/60 Hz	
Operating Frequency	5.1~5.9GHz	5.1~5.9GHz
Codec Technology	H.264	H.264
Bit Rate	12Mbps	12Mbps
Transmit Power	Max. 22dBm	Max. 22dBm
Receiver Sensitivity	-80dBm	-80dBm
Transmission Delay	<80ms	<80ms
Bandwidth	20MHz	20MHz

Note: The frequency band and transmit power varies by country and region.

## Safety Precautions

Do not place the product near or inside heating devices (including but not limited to microwave ovens, induction cookers, electric ovens, electric heaters, pressure cookers, water heaters, gas stoves) to prevent the battery from overheating and exploding.

## Support

If you encounter any problems in using the product or need any help, please contact Hollyland Support Team via the following ways:

If encounter any problems in using the product or need any help, please follow these ways to get more technical support:

 Hollyland Products User Group

 HollylandTech

 HollylandTech

 [Support@hollyland-tech.com](mailto:Support@hollyland-tech.com)

 [www.hollyland-tech.com](http://www.hollyland-tech.com)

## Statement

All copyrights belong to Shenzhen Hollyland Technology Co.,LTD. Without the written approval of Shenzhen Hollyland Technology Co.,LTD, no organization or individual may copy or reproduce part or all of the content of the text without authorization, and may not disseminate it in any form.

## Trademark Statement

All trademarks are owned by Shenzhen Hollyland Technology Co.,LTD.

**Note:** Due to product version upgrades or other reasons, this quick guide will be updated from time to time. Unless otherwise agreed, this document is provided as a guide for use only. All representations, information, recommendations in this document do not constitute warranties of any kind, express or implied.



### **FCC Requirement**

Any changes or modifications not expressly approved by the party responsible for compliance could void the user's authority to operate the equipment. This device complies with Part 15 of the FCC Rules. Operation is subject to the following two conditions:

- (1) this device may not cause harmful interference.
- (2) this device must accept any interference received, including interference that may cause undesired operation.

### **FCC Radiation Exposure Statement:**

The device has been tested and comply with FCC SAR limits.

**Note:** This equipment has been tested and found to comply with the limits for a Class B digital device, pursuant to Part 15 of the FCC Rules. These limits are designed to provide reasonable protection against harmful interference in a residential installation. This equipment generates, uses, and can radiate radio frequency energy, and if not installed and used in accordance with the instructions, may cause harmful interference to radio communications. However, there is no guarantee that interference will not occur in a particular installation. If this equipment does cause harmful interference to radio or television reception, which can be determined by turning the equipment off and on, the user is encouraged to try to correct the interference by one or more of the following measures:

- Reorient or relocate the receiving antenna.
- Increase the separation between the equipment and receiver.
- Connect the equipment into an outlet on a circuit different from that to which the receiver is connected.
- Consult the dealer or an experienced radio/TV technician for help.