

USER GUIDE

PHP-3

DJ Phono Pre-Amplifier

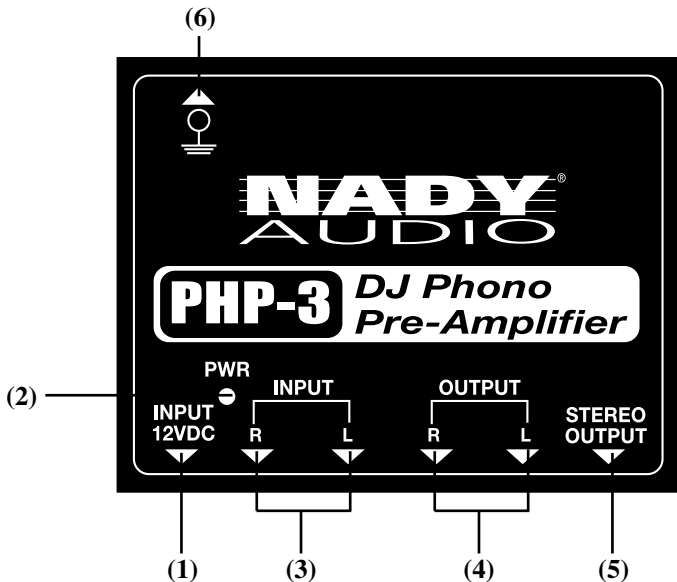
Thanks for purchasing the Nady PHP-3 DJ Phono Pre-Amplifier. The PHP-3 is a compact phono preamp designed to produce optimum audio from vinyl records. Amplifies and equalizes weak signals produced by magnetic cartridges — an invaluable tool that enables connection between turntable and mixer (or other audio gear) not already equipped with built-in RIAA phono preamp.



FEATURES

- Converts Phono signals to Line Level utilizing standard RIAA equalization — amplifies and EQ's vinyl records to interface with mixers, main or monitor systems, audio workstations, or sound cards
- Works with all turntables using magnetic cartridges
- Plug and play operation with full patching facilities for easily connecting phono turntables to any sound equipment
- External power adapter for low-noise operation
- Rugged metal case for utmost reliability

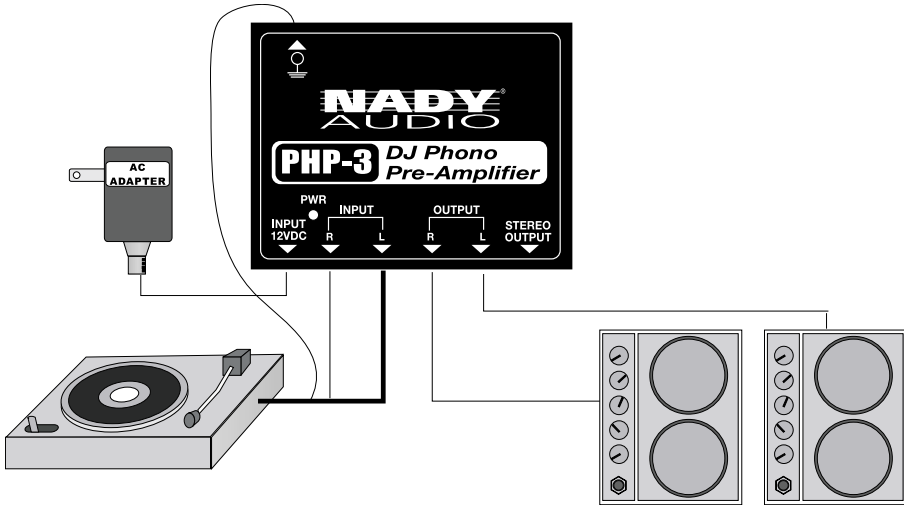
CONNECTIONS & OPERATIONS



(1) INPUT 12VDC — Use only AC/DC adapter supplied

(2) POWER LED — Lights when unit is ON

- (3) RIGHT & LEFT RCA INPUT JACKS — For connecting to L & R outputs on turntable
- (4) RIGHT & LEFT RCA OUTPUT JACKS — For connecting to mixers, main or monitor systems, audio workstations, or sound cards
- (5) STEREO OUTPUT JACK — 1/4" TRS jack for alternate easy connection to mixers, etc.
- (6) GROUNDING LUG — Use to connect any grounding wire to grounding terminal on turntable as pictured below.



SPECIFICATIONS

Input Connections	Stereo RCA jacks
Output Connectors	Stereo RCA jacks, 1 x 1/4" TRS phone (balanced), Ground Connector for turntable
RIAA frequency response	20hz-20,000hz +/- 0.5dB
Input Impedance.....	47 kΩ
Output Impedance.....	1 kΩ
Maximum Input Level	135mV / -15dBm @ 1kHz
Maximum Output Level.....	>2V
Total Gain.....	30dBv
Indicator	1 Green LED (Power On)
Power Input	External power adapter, 12 - 16 Volts DC, tip negative jack
Case.....	Heavy-duty, all metal construction
Dimensions (WxDxH)	3.74" x 2.87" x 1.57" (95 x 73 x 40mm)
Weight	0.78 lbs (289 g)

SERVICE

(U.S.) Should your Nady PHP-3 DJ Phono Pre-amplifier require service, please contact the Nady Customer Service Department via telephone: (510) 652-2411 or e-mail: service@nady.com.

(INTERNATIONAL) For service, please contact the Nady distributor in your country through the dealer from whom you purchased this product. The warranty card supplied with this system provides valuable warranty and service information. Store it in a safe place for future reference. Do not attempt to service this unit yourself as it will void your warranty.



NADY SYSTEMS, Inc.

6701 Shellmound Street • Emeryville, CA 94608
Tel: 510.652.2411 • Fax: 510.652.5075 • www.nady.com