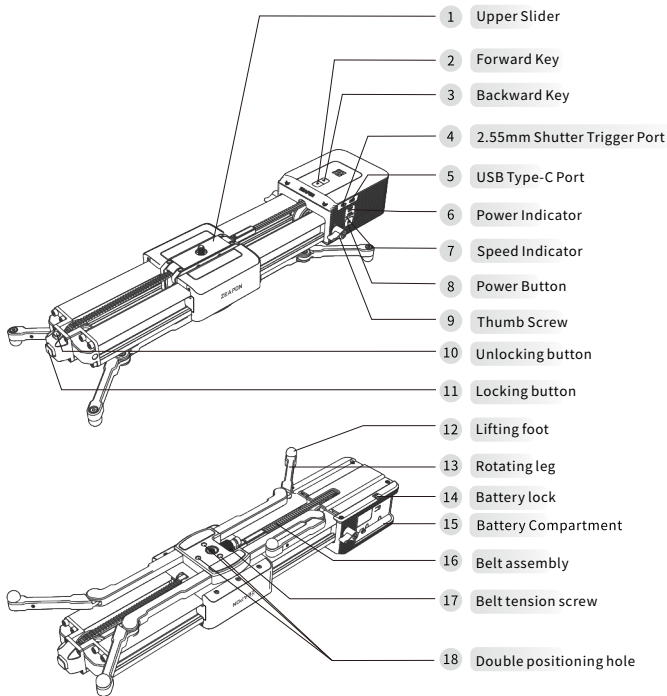


Motorized **Micro 2** Plus

Please read the User Manual carefully before using Motorized Micro 2 Plus to avoid any injury or damage to the product or other property caused by operation mistake

Instructions

Product Descriptions



NOTE



Do not attempt to disassemble or modify the product in any unauthorized way.



Safety Payload Max.
Carrying Capacity

Horizontal load $\leq 8\text{KG}$

Other angles $\leq 4.5\text{KG}$



Please make sure the slide rail is unlocked before use.



Please keep the Motorized Micro2 Plus clean and free from any obstruction.



For more detailed tutorial video, please visit our official website: <https://www.zeapon.com>

Function Description

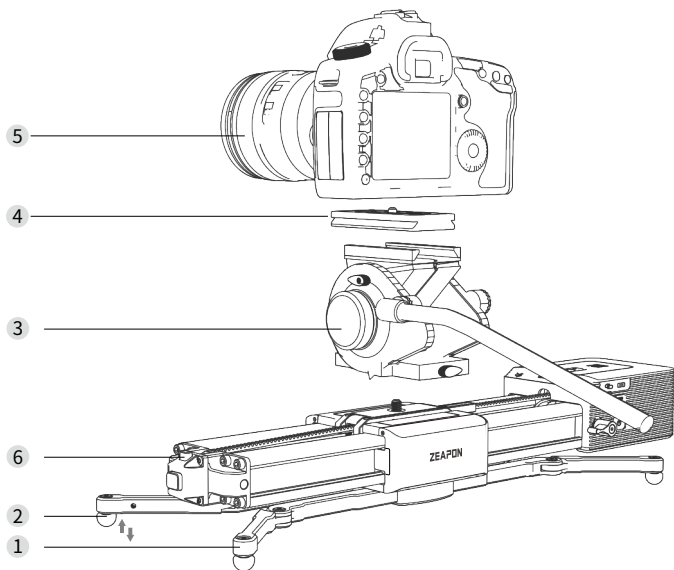
Name	Function
Forward Key	Slide forward
Backward Key	Slide backward
2.5mm Shutter Trigger Port	Slider connects to camera via shutter trigger cable to control camera shutter
USB Type-C Port	For firmware upgrade, and charging & power supply via external PD fast charger
Power Indicator	Green/Yellow/Red/Blue; Green: sufficient; Yellow: medium; Red: low Blue: power on
Speed Indicator	Three Speed Status; One light on: low speed; Two lights on: medium speed; Three lights on: high speed
Power Button	Power On/Off & Function trigger
Thumb Screw	Fix the Slider Motor to slider
Battery Compartment	Compatible with F550/F750/F970 lithium battery
Battery lock	Used to fasten the battery to the battery compartment
Lifting foot	Used to adjust the height of the rail slider
Belt assembly	Used for the motor to drive the rail slider
Belt tension screw	Used to fix the belt and adjust tension of the belt
Unlocking button	Used to unlock the rail slider
Locking button	Used to lock the belt and fasten the rail slider

Function	Key Action	Beep Sound
Power On	Long press Power Button for 3 seconds	/
Power Off	Long press Power Button for 3 seconds	/
Forward	Long press Forward Key	/
Backward	Long press Backward Key	/
Speed Adjustment	Press Power Button once	/
Set Waypoints	Press Power Button twice	Set point 1: Beep sound once
		Set point 2: Beep sound twice
Delete All Waypoints	Long press left+right key	Long beep sound
Start Running	Double press power button	/
Starts/Pauses circulation	Press the Left/Right Key and Power button at the same time	Rings once
Automatic left and right movement	Double-click left/right buttons	/



For more detailed tutorial video, please visit our official website: <https://www.zeapon.com>

Floor Mode

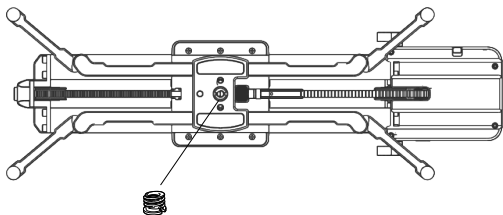


- 1 Open the rotating legs to a proper angle.
- 2 Adjust the supporting feet to a proper height.
- 3 Install the fluid head on the rail slider.
- 4 Install the quick-mount plate of the fluid head to the bottom of the camera.
- 5 Install the camera with the quick-mount plate on the rail slider.
- 6 Press the unlocking button to operate the rail slider.

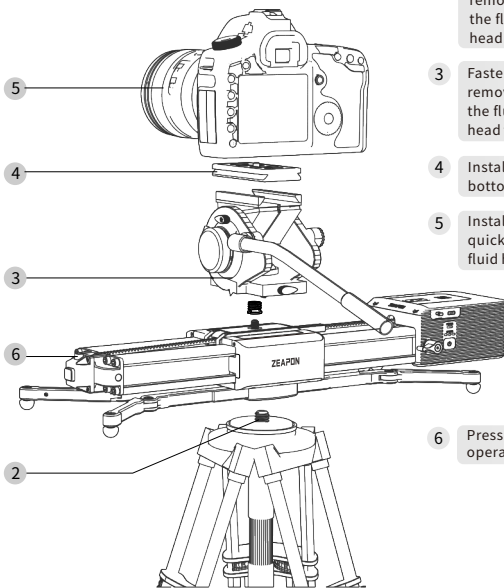


For more detailed tutorial video, please visit our official website: <https://www.zeapon.com>

Single fluid head connection mode



- 1 Loosen and remove the 3/8 to 1/4 screw adapter at the bottom of the rail slider.

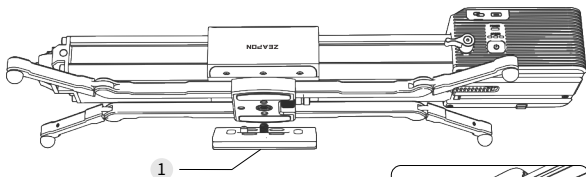


- 2 Fasten the 3/8 to 1/4 screw adapter removed at step 1 to the bottom of the fluid head, and rotate the fluid head to fasten it to the rail slider.
- 3 Fasten the 3/8 to 1/4 screw adapter removed at step 1 to the bottom of the fluid head, and rotate the fluid head to fasten it to the rail slider.
- 4 Install the quick-mount plate to the bottom of the camera.
- 5 Install the camera with the quick-mount plate on the fluid head.
- 6 Press the unlocking button to operate the rail slider.

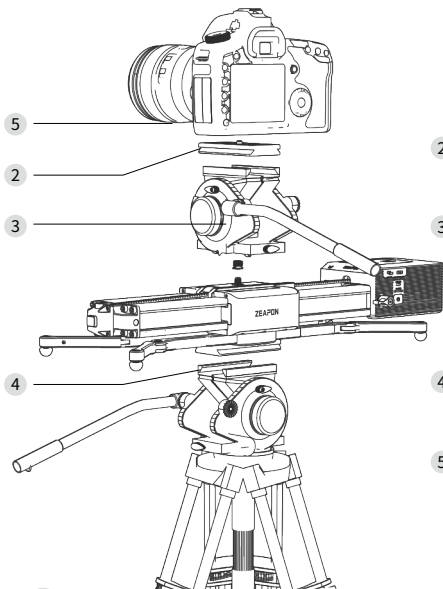
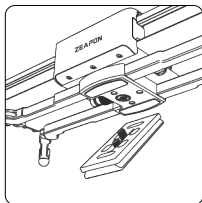


For more detailed tutorial video, please visit our official website: <https://www.zeapon.com>

Double fluid head connection mode



- 1 Install the 1/4 screw in the accessory bag to a third-party quick-mount plate. Then, tighten the two positioning screws on the quick-mount plate to fix it to the bottom of the rail slider.

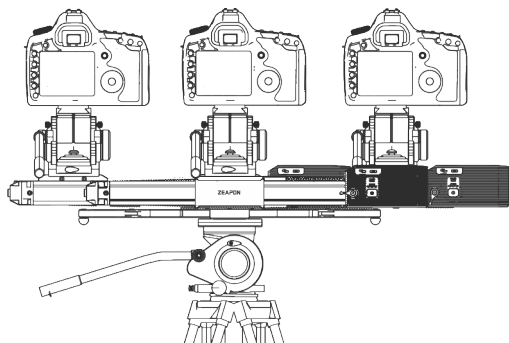


- 2 Install the quick-mount plate of the fluid head to the bottom of the camera.
- 3 Screw and tighten the fluid head and the rail slider.
- 4 Clip and fasten the rail slider installed with the fluid head to the tripod fluid head.
- 5 Install the camera with the quick-mount plate on the fluid head.

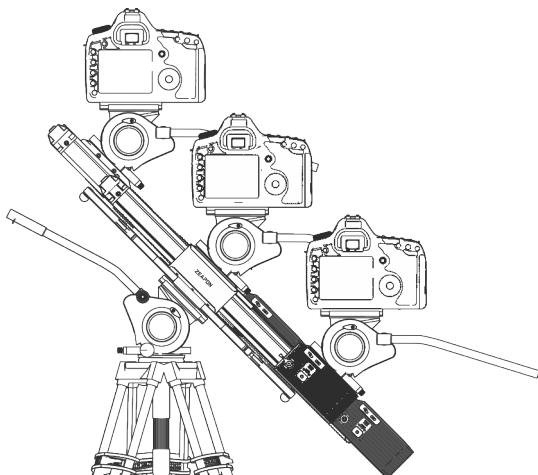


For more detailed tutorial video, please visit our official website: <https://www.zeapon.com>

Double fluid head connection mode



Slide the slider left and right for photographing. (as shown in the figure above)



You can also move the slider left, right, upward and downward, like a JIB by changing the angle.



For more detailed tutorial video, please visit our official website: <https://www.zeapon.com>

FCC Statement

This equipment has been tested and found to comply with the limits for a Class B digital device, pursuant to Part 15 of the FCC Rules. These limits are designed to provide reasonable protection against harmful interference in a residential installation. This equipment generates uses and can radiate radio frequency energy and, if not installed and used in accordance with the instructions, may cause harmful interference to radio communications. However, there is no guarantee that interference will not occur in a particular installation. If this equipment does cause harmful interference to radio or television reception, which can be determined by turning the equipment off and on, the user is encouraged to try to correct the interference by one or more of the following measures:

- Reorient or relocate the receiving antenna.
- Increase the separation between the equipment and receiver.
- Connect the equipment into an outlet on a circuit different from that to which the receiver is connected.
- Consult the dealer or an experienced radio/TV technician for help.

This device complies with part 15 of the FCC Rules. Operation is subject to the following two conditions: (1) This device may not cause harmful interference, and (2) this device must accept any interference received, including interference that may cause undesired operation.

Changes or modifications not expressly approved by the party responsible for compliance could void the user's authority to operate the equipment.

The device has been evaluated to meet general RF exposure requirement. The device can be used in portable exposure condition without restriction.

TIPS

Search and download "ZEAPON LAB" for Slider Motor's App on App Store/Google Play, or on ZEAPON's official website.



Zeapon Lab

Please note: This product does not provide batteries and battery chargers, if necessary, please purchase separately!



The data cable delivered is only for firmware upgrade!

Thanks for using ZEAPON products!

⊗ Any unauthorized disassembling/changing of internal parts or structure may discontinue warranty service!