

# FM/AM CD Kitchen Clock Radio

## Operating Instructions

### Owner's Record

The model number and the serial number are located on the top. Record the serial number in the space provided below. Refer to them whenever you call upon your Sony dealer regarding this product.

Model No. ICF-CDK50

Serial No. \_\_\_\_\_

For customers who purchased this product in the USA Please register this product on line at <http://www.sony.com/productregistration>. Proper registration will enable us to send you periodic mailings about new products, services, and other important announcements. Registering your product will also allow us to contact you in the unlikely event that the product needs adjustment or modification. Thank you.

ICF-CDK50



© 2007 Sony Corporation Printed in China

### WARNING

To reduce the risk of fire or electric shock, do not expose this apparatus to rain or moisture.

To reduce the risk of electrical shock, do not open the cabinet. Refer servicing to qualified personnel only.

To reduce the risk of fire, do not cover the ventilation of the apparatus with newspapers, tablecloths, curtains, etc. And do not place lighted candles on the apparatus.

The apparatus shall not be exposed to dripping or splashing and no objects filled with liquids, such as vases, shall be placed on the apparatus.

As the main plug is used to disconnect the unit from the mains, connect the unit to an easily accessible AC outlet.

Should you notice an abnormality in the unit, disconnect the main plug from the AC outlet immediately.

Do not install the appliance in a confined space, such as a bookcase or built-in cabinet.



**Do not ingest battery, chemical hazard.**

This product contains a coin/button cell battery. If the coin/button cell battery is swallowed, it can cause severe internal burns in just 2 hours and can lead to death.

Keep new and used batteries away from children. If the battery compartment does not close securely, stop using the product and keep it away from children. If you think batteries might have been swallowed or placed inside any part of the body, seek immediate medical attention.

This graphical symbol is located on the battery holder.

### Notes on DualDiscs

A DualDisc is a two sided disc product which mates DVD recorded material on one side with digital audio material on the other side. However, since the audio material side does not conform to the Compact Disc (CD) standard, playback on this product is not guaranteed.

### Music discs encoded with copyright protection technologies

This product is designed to playback discs that conform to the Compact Disc (CD) standard. Recently, various music discs encoded with copyright protection technologies are marketed by some record companies. Please be aware that among those discs, there are some that do not conform to the CD standard and may not be playable by this product.

### CAUTION

The use of optical instruments with this product will increase eye hazard.

Use of controls or adjustments or performance of procedures other than those specified herein may result in hazardous radiation exposure.

To reduce the risk of fire, do not place any heating or cooking apparatus beneath this unit.



This symbol is intended to alert the user to the presence of uninsulated "dangerous voltage" within the product's enclosure that may be of sufficient magnitude to constitute a risk of electric shock to persons.

This symbol is intended to alert the user to the presence of important operating and maintenance (servicing) instructions in the literature accompanying the appliance.

The graphical symbols are at the top of the enclosure.

Class II equipment symbol  
This symbol indicates that the unit has a double insulation system.

### INFORMATION

This equipment has been tested and found to comply with the limits for a Class B digital device, pursuant to Part 15 of the FCC Rules. These limits are designed to provide reasonable protection against harmful interference in a residential installation. This equipment generates, uses and can radiate radio frequency energy and, if not installed and used in accordance with the instructions, may cause harmful interference to radio communications. However, there is no guarantee that interference will not occur in a particular installation. If this equipment does cause harmful interference to radio or television reception, which can be determined by turning the equipment off and on, the user is encouraged to try to correct the interference by one or more of the following measures: — Reorient or relocate the receiving antenna. — Increase the separation between the equipment and receiver. — Connect the equipment into an outlet on a circuit different from that to which the receiver is connected.

— Consult the dealer or an experienced radio/TV technician for help.

### WARNING

- Danger of explosion if battery is incorrectly replaced. Replace only with the same or equivalent type.
- Replace the battery for the clock backup with a Sony CR2032 lithium battery. Use of another battery may present a risk of fire or explosion.
- Battery may explode if mistreated. Do not recharge, disassemble or dispose of in fire.
- Do not expose the batteries (battery pack or batteries installed) to excessive heat such as sunshine, fire or the like for a long time.
- Dispose of used battery promptly. Keep away from children.

### CAUTION

You are cautioned that any changes or modifications not expressly approved in this manual could void your authority to operate this equipment.

### For customers in the USA

Please register this product on line at <http://www.sony.com/productregistration>. Proper registration will enable us to send you periodic mailings about new product, services and other important announcements. Registering your product will also allow us to contact you in the unlikely event that the product needs adjustment or modification. Thank you.

### For the state of california, USA only

Perchlorate Material – special handling may apply, See [www.dtsc.ca.gov/hazardouswaste/perchlorate](http://www.dtsc.ca.gov/hazardouswaste/perchlorate)  
Perchlorate Material: Lithium battery contains perchlorate

### Important Safety Instructions

- 1) Read these instructions.
- 2) Keep these instructions.
- 3) Heed all warnings.
- 4) Follow all instructions.
- 5) Do not use this apparatus near water.
- 6) Clean only with dry cloth.
- 7) Do not block any ventilation openings. Install in accordance with the manufacturer's instructions.
- 8) Do not install near any heat sources such as radiators, heat registers, stoves, or other apparatus (including amplifiers) that produce heat.
- 9) Do not defeat the safety purpose of the polarized or grounding-type plug. A polarized plug has two blades with one wider than the other. A grounding type plug has two blades and a third grounding prong. The wide blade or the third prong are provided for your safety. If the provided plug does not fit into your outlet, consult an electrician for replacement of the obsolete outlet.
- 10) Protect the power cord from being walked on or pinched particularly at plugs, convenience receptacles, and the point where they exit from the apparatus.
- 11) Only use attachments/accessories specified by the manufacturer.
- 12) Use only with the cart, stand, tripod, bracket, or table specified by the manufacturer, or sold with the apparatus. When a cart is used, use caution when moving the cart/apparatus combination to avoid injury from tip-over.
- 13) Unplug this apparatus during lightning storms or when unused for long periods of time.
- 14) Refer all servicing to qualified service personnel. Servicing is required when the apparatus has been damaged in any way, such as power-supply cord or plug is damaged, liquid has been spilled or objects have fallen into the apparatus, the apparatus has been exposed to rain or moisture, does not operate normally, or has been dropped.

If you have any questions or problems concerning your unit, please consult your nearest Sony dealer.

## Troubleshooting

Should the problem persists after you have made the following checks, consult your nearest Sony dealer.

### The clock does not show the correct time.

- Has an electrical power outage occurred?

### The CD player does not operate.

- Did you close the disc tray?
- Did you place the disc correctly?  
The disc should be placed with the labeled side up.
- Dusty or defective disc—Clean the disc with an optional cleaning cloth. Wipe the disc from the center out.
- Take out the CD and leave the CD compartment open for about an hour to allow condensation to evaporate.

### Sporadic loss of sound during CD operation.

- Dusty or defective disc—Clean or replace the disc.
- Excessively high volume—Reduce the volume.
- Strong vibration.

### There is a noise from the speakers.

- You may hear a noise when you operate the remote during an AM broadcast.

### The remote does not work.

- Remove any obstacles between the remote and the remote sensor on the unit, and move the unit away from fluorescent lights.
- Point the remote at the system's sensor.
- Move the remote closer to the system.

## Specifications

### AUDIO POWER SPECIFICATIONS

POWER OUTPUT AND TOTAL HARMONIC DISTORTION  
With 4-ohm loads, both channels driven from 100 – 10 000 Hz; rated 1.5 W per channel—minimum RMS power, with no more than 10% total harmonic distortion in AC operation.

### CD player section

**System:** Compact disc digital audio system

#### Laser diode properties:

Emission duration: Continuous  
Laser output: Less than 44.6 μW  
(This output is the value measured at a distance of about 200 mm from the objective lens surface on the optical pick-up block with 7 mm aperture.)

#### Number of channels: 2

**Frequency response:** 20 – 20 000 Hz ±1 dB

**Wow and flutter:** Below measurable limit

### Radio section

#### Frequency range:

FM: 87.5 – 108 MHz

AM: 530 – 1 710 kHz

#### Antennas:

FM: AC power cord

AM: Built-in ferrite bar antenna

### General

**Time display:** 12-hour system

**Speaker:** 66 mm (2 5/8 inches) diam., 4 Ω, cone type (2)

#### Input:

Built-in audio cable with stereo miniplug (1); minimum input level 245 mV, impedance 47 kΩ

#### Power outputs:

1.9 W + 1.9 W (at 4 Ω, 10 % harmonic distortion)

**Power requirements:** 120 V AC, 60 Hz

For Power backup: 3 V DC, one CR2032 battery

#### Dimensions:

Approx. 350 × 85 × 300 mm (w/h/d)

(Approx. 13 7/8 × 3 3/8 × 11 7/8 inches)

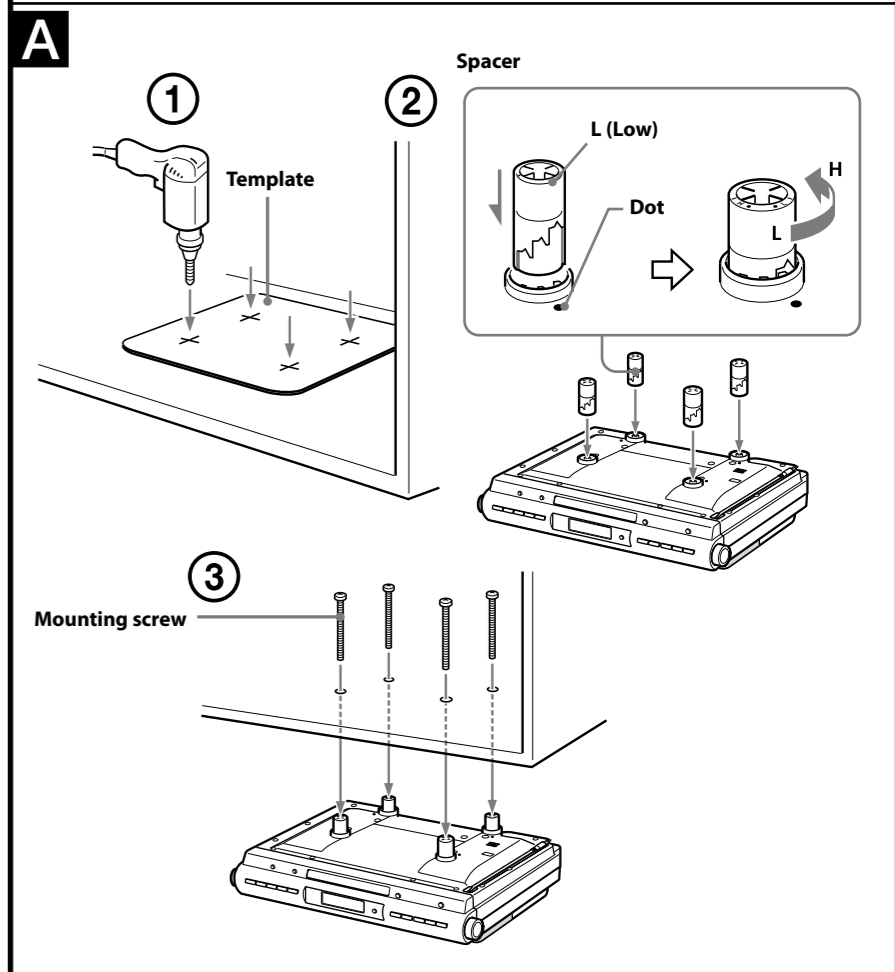
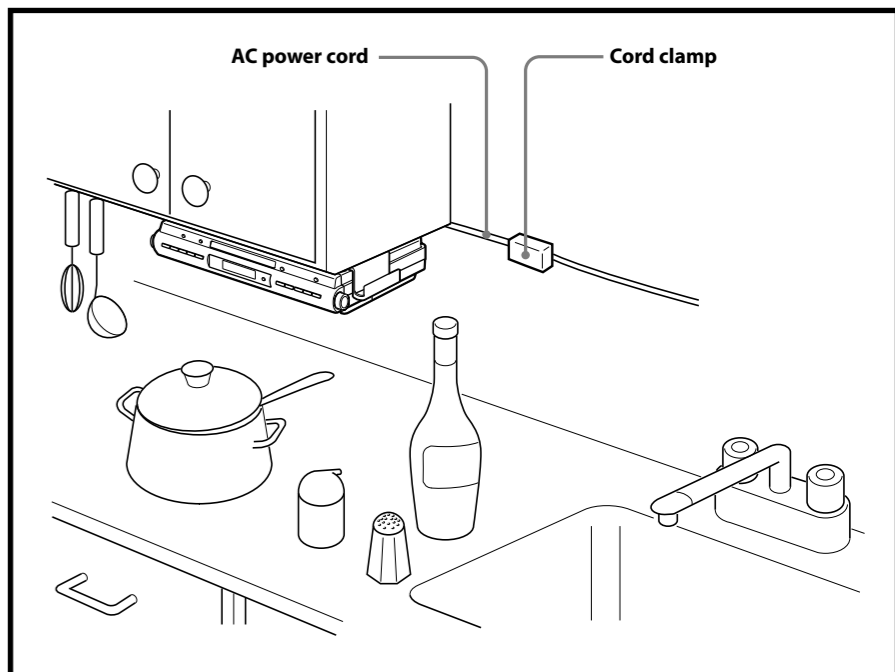
incl. projecting parts and controls

**Mass:** Approx. 2.7 kg (6 lb 1 oz)

#### Supplied accessories:

- mounting screws (M5 screw) (4)
- template (1)
- spacers (4)
- cord clamp (1)
- remote commander (1)
- digital music player holder (1)

Design and specifications are subject to change without notice.



## Installing the unit under a cabinet

(See Fig. A)

### Caution

### Please read the following before installing the unit

- Due to its heavy weight, the unit should be installed with great care.
- Installation of the unit requires two persons.
- Use tools carefully while installing of the unit.
- Be sure that the cabinet that is used is sturdy enough to support the weight of the unit.
- To reduce the risk of fire, do not place any heating or cooking appliance beneath this unit.
- Install the unit so that its AC power cord can be connected directly to a wall outlet. Do not use a converter or extension cord.
- Be sure that the AC power cord has no slack during use of the unit, since the cord acts as an FM wire antenna. If the AC power cord has some slack, wind it around the cord hook so as to eliminate the slack.
- The unit has a built-in ferrite bar antenna for AM radio reception. Confirm that AM reception is acceptable before finally attaching the unit.
- Install the unit as far as possible from sources of noise (for example, a refrigerator, microwave oven or fluorescent lamp).
- This unit is not waterproof. Install it where it will not be exposed to splashing by water, as this may damage the unit.
- To reduce the risk of fire or electric shock, do not touch the AC power cord with wet hands.
- Never place objects between the top of the unit and the bottom of the cabinet. This could cause the unit to fall.
- Make sure the unit's four screws are fastened tightly.
- After installing the unit, do not pull down on it or hang something heavy on it.

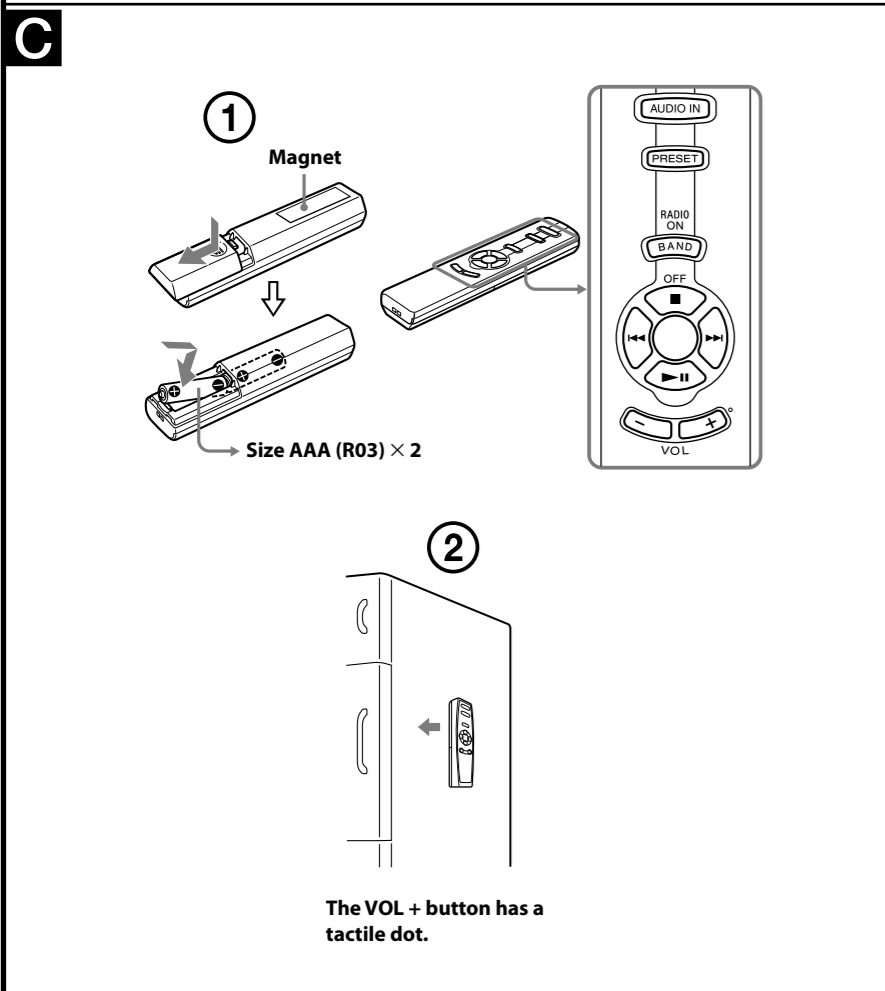
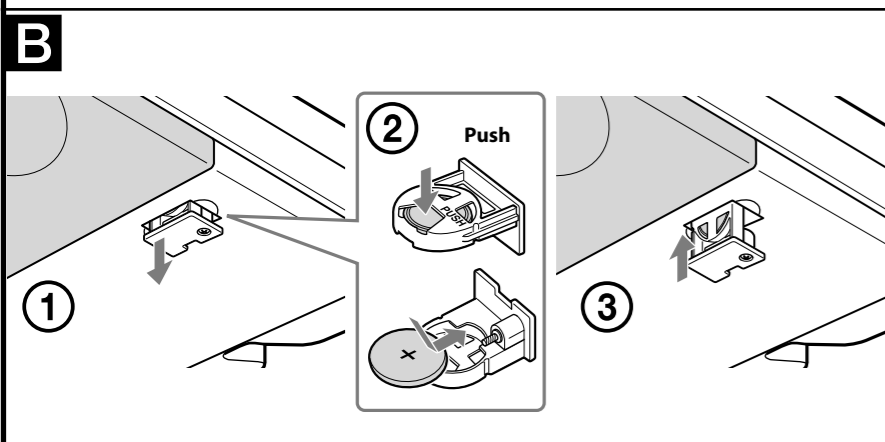
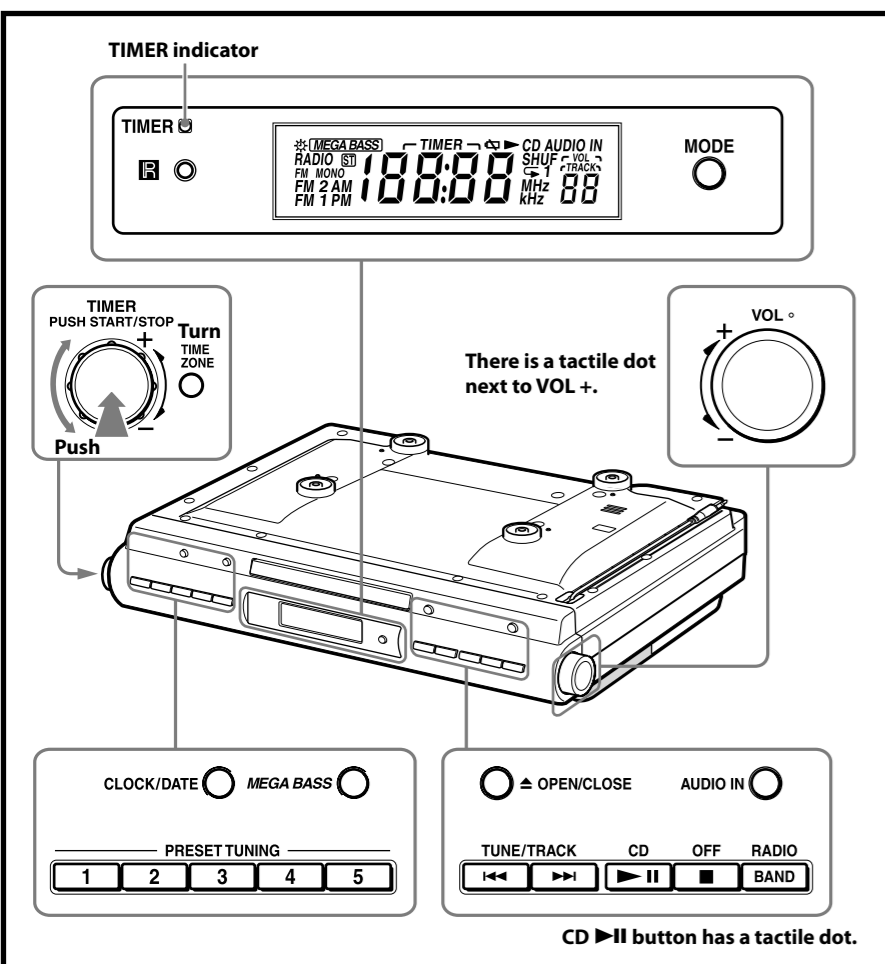
1 Decide on the installation location and orientation of the unit based on the best reception that is possible (see "Improving the reception").

2 Mark the position of the 4 holes by using the supplied template. Use a drill to make the holes (size 6.5 mm diam., 9/32 inch). (See Fig. A-①)

3 When the cabinet door overhangs the shelf and obstructs the unit, you can adjust the unit/shelf height. First set the L mark to the dot which becomes the lowest position, then you can adjust the height in 4 steps (H••L) by turning the spacer counterclockwise (See Fig. A-②). The unit can be installed without the spacer.

4 Install the unit with the supplied mounting screws. (See Fig. A-③)

**Note**  
If you lose the supplied screws, please purchase #10 or M5 screws.



## About the backup battery

To keep good time, this unit contains one CR2032 battery inside of the unit as a backup power source. The battery keeps the clock operating in the event of a power interruption.

## Knowing when to replace the battery

When the battery becomes weak, "⚡" appears in the display. If a power interruption occurs while the battery is weak, the current time will be initialized. Replace the battery with a Sony CR2032 lithium battery. Use of another battery may cause a fire or explosion.

**Note**  
If "AM 12:00" flashes in the display when the unit is connected to AC outlet for the first time, the battery may be weak. In this case, consult your Sony dealer.

## Replacing the battery

- 1 Keep the AC plug connected to the AC outlet, fully loosen the screw that secures the battery holder at the bottom of the unit using a screwdriver, and pull the battery holder. (See Fig. B-①)
- 2 Push the exhausted battery out from the bottom of the battery holder and insert a new battery with the + side facing up. (See Fig. B-②)
- 3 Insert the battery holder back into the unit and secure it with the screw. (See Fig. B-③)
- 4 Press **RADIO/BAND**, **CD >>>**, or **AUDIO IN** to turn "⚡" off in the display.

**Note**  
When replacing the battery, do not disconnect AC plug from AC outlet. If you do, the current time will be initialized.

**Battery Warning**  
If the unit is to be left unplugged for a long time, remove the battery to avoid undue battery discharge and damage to the unit from battery leakage.

- NOTES ON THE LITHIUM BATTERY**
- Dispose of the used battery promptly. Keep the lithium battery out of the reach of children. Should the battery be swallowed, consult a doctor immediately.
  - Wipe the battery with a dry cloth to assure a good contact.
  - Be sure to observe correct polarity when installing the battery.
  - Do not hold the battery with metallic tweezers, otherwise a short-circuit may occur.
  - Do not expose the battery to excessive heat such as direct sunlight, fire or the like.

**WARNING**  
There is a danger of explosion if the battery is incorrectly replaced. Replace only with the same or equivalent type recommended by the equipment manufacturer.

## Installing the batteries into the remote commander (See Fig. C-①)

Insert two size AAA (R03) batteries (not supplied).

## When to replace the batteries

With normal use, the batteries should last for about six months. When the remote no longer operates the CD kitchen clock radio, replace all the batteries with new ones.

- Notes**
- Do not charge the dry batteries.
  - If you do not intend to use the remote for a long time, remove the batteries to prevent damage by leakage and corrosion.

## Use of magnet (See Fig. C-②)

A magnet is provided on the back of the remote so that it can be attached a refrigerator or other iron surface. However, do not operate the remote while it is attached in this manner.

**Note**  
Do not place the remote commander near magnetic cards such as credit cards.

## Setting the clock for the first time

This unit is preset to the current EST (Eastern Standard Time) at the factory, and is powered by the back up battery. All you need to do the first time is just plug it in, select your time zone.

- 1 Plug in the unit.  
The current EST (Eastern Standard Time) appears in the display.
- 2 Press **TIME ZONE**.  
Area number "2" appears in the display.
- 3 Press **TIME ZONE** repeatedly to select the number as follows:

Area number	Time zone
1	Atlantic standard Time
2 (default setting)	Eastern standard Time
3	Central standard Time
4	Mountain standard Time
5	Pacific standard Time
6	Yukon standard Time
7	Hawaiian standard Time

The area number appears in the display for a few seconds and then the display returns to the current time. After the current time reappears, press **TIME ZONE** to check the area number.

**Note**  
Though the clock is correctly set at the factory, discrepancies may arise during transport or storage. If necessary, set the clock to the correct time by referring to "Setting the clock manually".

## When daylight saving time (summer time) begins

This model automatically adjusts for daylight saving time (summer time).  
"⚡" is displayed from the beginning of daylight saving time (summer time) and disappears at the end of the daylight saving time (summer time) automatically.

- Daylight saving time (summer time) begins at: 2:00 AM on the second Sunday of March.
- Standard time begins at: 2:00 AM on the first Sunday of November.

## Setting the clock manually

- 1 Plug in the unit.
- 2 Hold down **CLOCK/DATE** until a short beep sounds.  
The year starts to flash in the display.
- 3 Turn the **TIMER** jog dial towards + or - repeatedly until the correct year appears in the display.
- 4 Push **TIMER**.
- 5 Repeat steps 3 and 4 to set the month, the day, hour, and minute, and then push **TIMER**.

**Notes**

- The clock setting will be canceled if you press **OFF** while setting the clock.
- If you do not press a button for about 65 seconds while setting the clock, the clock setting will be canceled.

## To display the year and date

Press **CLOCK/DATE** once for the date, and within 4 seconds press it again for the year.  
The display shows the date or year for about 4 seconds and then changes back to the current time.

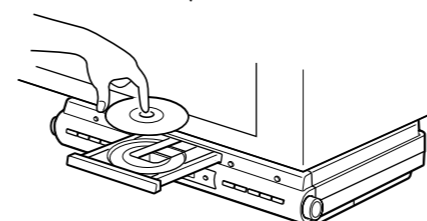
## To change to daylight saving time (summer time) indication

Hold down **OFF** and **TIME ZONE** until two short beeps sound. "OFF" appears for a few seconds, and then "⚡" disappears.  
To activate the daylight saving time (summer time) function, hold down **OFF** and **TIME ZONE** until two short beeps sound again. "⚡" is displayed, "On" appears for a few seconds, and then the time changes to daylight saving time (summer time).

## Playing a CD

An 8 cm (3-inch) CD can be played without an adaptor.

- 1 Press **OPEN/CLOSE**, and insert a CD onto the disc tray.



- 2 Press **OPEN/CLOSE** to close the disc tray.  
Do not force the disc tray closed with your finger, as this may damage the unit.
- 3 Press **CD >>>**.  
"TRACK 01" appears in the display. The player plays all the tracks once.
- 4 Adjust the volume with the **VOL** control (**VOL +** or **-** on the remote).

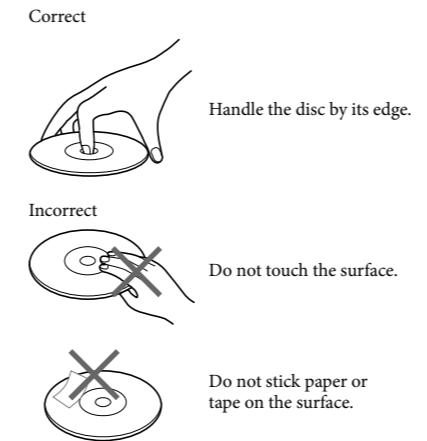
To	Press
Pause	<b>CD &gt;&gt;&gt;</b> / <b>&gt;&gt;&gt;</b> (on the remote)
Resume play after pause	<b>CD &gt;&gt;&gt;</b> again / <b>&gt;&gt;&gt;</b> (on the remote)
Cue to the beginning of the current track (AMS*)	<b>&lt;&lt;&lt;</b> **
Cue to the beginning of the next track (AMS*)	<b>&gt;&gt;&gt;</b> **
Go back at high speed	Hold down <b>&lt;&lt;&lt;</b> **
Go forward at high speed	Hold down <b>&gt;&gt;&gt;</b> **
Locate a previous track (AMS*)	<b>&lt;&lt;&lt;</b> repeatedly **
Locate a succeeding track (AMS*)	<b>&gt;&gt;&gt;</b> repeatedly **
Stop play	<b>■</b>

\* AMS = Automatic Music Sensor  
\*\* These operations are possible during both play and pause.

## About CD-Rs/CD-RWs

This unit is compatible with CD-Rs/CD-RWs but playback capability may vary depending on the quality of the disc, the recording device and application software.

## To handle compact discs



**Note**  
Discs with non-standard shapes (e.g., heart, square, star) cannot be played on this unit. Attempting to do so may damage the unit. Do not use such discs.

## Various modes of CD playback

You can play tracks repeatedly or in random order. Press **MODE**. Each press changes the play mode as follows:

Display Indication	Play Mode
None	(normal play)
All the tracks are played once.	(single-track repeat)
"1" (single-track repeat)	(single-track repeat)
A single track is played repeatedly.	(all repeat)
"1" (all repeat)	(all repeat)
All the tracks are played repeatedly.	(shuffle play)
"SHUF" (shuffle play)	(shuffle play)
All the tracks are played once in random order.	(shuffle repeat)
"SHUF" (shuffle repeat)	(shuffle repeat)
All the tracks are played repeatedly in random order.	(normal play)

## Listening to the radio

### Manual Tuning

- 1 Press **RADIO/BAND** to turn on the radio. "RADIO" appears in the display. The display shows the band and frequency for 10 seconds, and then changes back to the current time.
- 2 Press **RADIO/BAND** repeatedly to select the desired band.  
Each press changes the band as follows:  
FM1 → FM2 → AM
- 3 Use **TUNE/TRACK <<<** or **>>>** to tune in to the desired station.  
Two short beeps sound when the minimum frequency of each band is received during tuning.
- 4 Adjust the volume with the **VOL** control (**VOL +** or **-** on the remote).

When using FM1 or FM2 preset mode, you may listen to the radio on either mode (See "Presetting your favorite station").

### Improving the reception

- To turn off the radio, press **OFF**.
  - To check the frequency of the current station, press **RADIO/BAND**. The display shows the band and frequency for 10 seconds, and then changes back to the current time.
- FM:** Extend the AC power cord fully to improve FM reception.  
**AM:** When installing the unit, rotate the unit horizontally for optimum reception and then install the unit. A ferrite bar antenna is built into the unit.

## Presetting your favorite station

### Preset Tuning

- You can preset 10 FM stations and 5 AM stations.
- 1 Follow steps 1 to 4 in "Listening to the radio" and manually tune in to the station you wish to preset.
  - 2 Hold down the **PRESET TUNING** button you wish to preset for more than 2 seconds.  
**Example:** Display window when you preset FM 90 MHz in the **PRESET TUNING 2** button for FM2.



The display shows the frequency for a few seconds and then changes back to the current time. To preset another station, repeat these steps. To change the preset station, tune in to the desired station and hold down the **PRESET TUNING 1** to **5** button. The new station will replace the previous station on the **PRESET TUNING** button.

### Tuning in to a preset station

- 1 Press **RADIO/BAND** to turn on the radio.
- 2 Press **RADIO/BAND** repeatedly to select FM 1, FM2 or AM.
- 3 Press the desired **PRESET TUNING** button. "P" and the **PRESET TUNING** button number appear in the display.
- 4 Adjust the volume with the **VOL** control (**VOL +** or **-** on the remote).  
After a few seconds, the display returns to the current time, but the preset button number is remained.

**Note**  
Holding down the desired **PRESET TUNING** button for 2 seconds or more in step 3 will replace the previous station on the **PRESET TUNING** button with the station you tuned in.

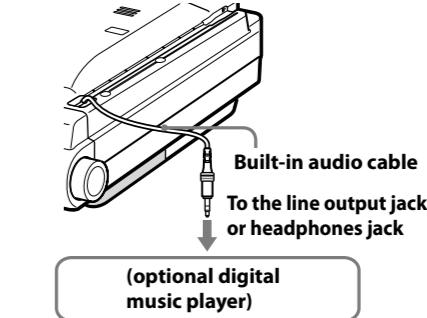
## Switching between monaural and stereo

Stereo reception is the default setting for the radio. "ST" will appear in the display when an FM broadcast is clearly received. If FM stereo reception is poor, change to "FM MONO (monaural)". Noise will be reduced although the sound will not be in stereo.

- 1 Press **RADIO/BAND** to turn on the radio.
- 2 Press **RADIO/BAND** repeatedly to select FM 1 or FM 2.
- 3 Press **MODE**.  
A short beep sounds. "FM MONO" appears in the display. To change back to stereo mode, press **MODE** again.

## Listening to the sound from a connected optional digital music player

- 1 Connect the built-in audio cable with the stereo-miniplug on the top of the unit to the line output jack or headphones jack on the optional component (e.g., digital music player).



- 2 Press **AUDIO IN**.  
"AUDIO IN" appears in the display.
- 3 Play the optional digital music player.
- 4 Adjust to the volume with the **VOL** control (**VOL +** or **-** on the remote).

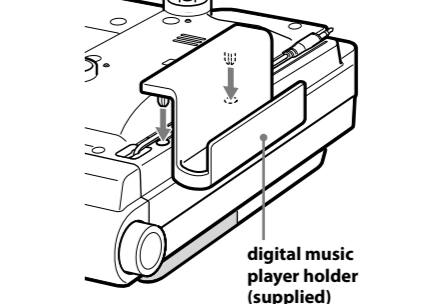
• To turn off the AUDIO IN function, press **OFF**.

**Notes**

- Connect the cable firmly to prevent a malfunction.
- Keep digital music players away from the speakers.

## Attaching the supplied digital music player holder

The supplied digital music player holder allows you to place your digital music player onto the unit. Attach the holder as shown below.



**Note**  
Do not place a digital music player weighing more than 500 grams (17.6 oz) on the holder; as this may damage the holder.

## Useful function

### Obtaining powerful bass

Press **MEGA BASS**. The "MEGA BASS" system produces a powerful bass sound.

## Operating the cooking timer (countdown timer)

The timer can be set for durations of 1 minute to 120 minutes.

- 1 Turn the **TIMER** jog dial towards + until the desired time appears in the display.  
"TIMER" appears in the display. After setting the time, the current time is displayed again if you do not perform any operation for more than 65 seconds.
- 2 Push **TIMER** once.  
TIMER indicator lights and a short beep sounds. While the timer is operating, the display shows the time remaining. Pressing the **CLOCK/DATE** will cause the current time to appear for a few seconds.

### Cooking timer ON—

When the time has elapsed, the buzzer will sound and the TIMER indicator will flash. Even if the CD, the radio, or AUDIO IN function is being played, the buzzer of the timer sounds together. While the buzzer sounds, the volume of the CD, the radio, or AUDIO IN function is decreased. The volume returns to the previous volume level when the buzzer stops.

### Cooking timer OFF—

The buzzer is turned off automatically after 60 minutes and the display shows current time.

### To stop cooking timer

Push **TIMER** to turn off the buzzer. Pressing function button or **OFF** button will turn off the buzzer also.

### To deactivate cooking timer

Push **TIMER**. The TIMER indicator goes off and the current time appears in the display.

## When carrying the unit

When carrying the unit, do the following to lock the CD mechanism in order to prevent damaging it.

- 1 Remove the disc from the disc tray.
- 2 Disconnect the AC power plug.

## Unlocking the CD mechanism

- 1 Reconnect the AC power plug.  
The unit is unlocked.