

T12-MM-BP

T12 Modular Mount with Baby Receiver INSTRUCTIONS

Introduction

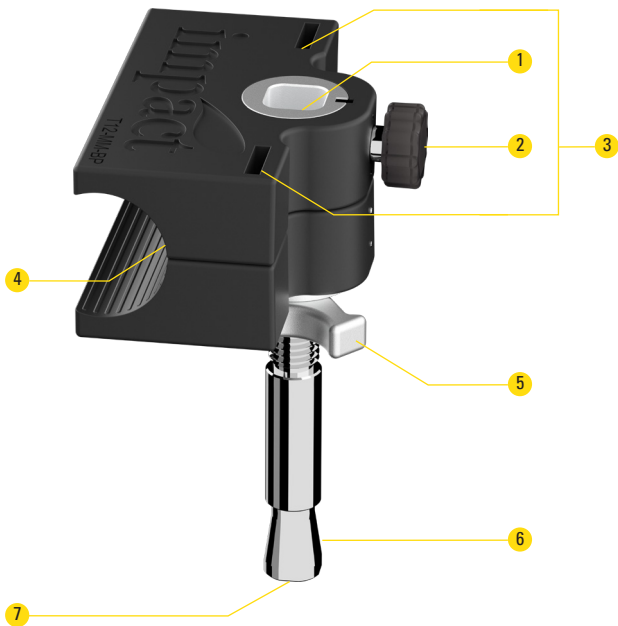
Thank you for choosing Impact.

The Gradus T12-MM-BP securely clamps a T12-size LED and fluorescent light to a grip head or light stand with minimal light loss. Textured anti-crush jaws assure a secure hold that won't damage the tube. An interlocking pin and receiver allow several mounts to connect for a multi-light setup, and a 3/8-16 female thread adds mounting options like light stands or tripods.

Precautions

- Please read and follow these instructions, and keep this manual in a safe place.
- Clean the unit with only a soft, dry cloth.
- Make sure everything is secure before proceeding.
- Make sure that this product is intact and that there are no missing parts.
- All images are for illustrative purposes only.

Overview



1 Interlocking receiver

2 Locking knob

3 Security slots

4 T12 jaws

5 T12 lock

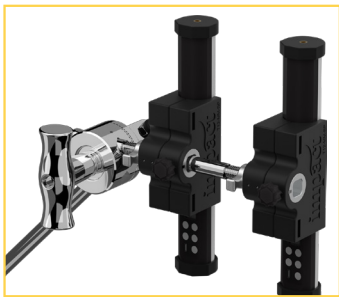
6 Interlocking stud

7 3/8-16 in. female thread

Setup

Mounting to a Grip Head

1. Fit the interlocking pin through the grip head's 5/8-inch hole.
2. Adjust the angle of the mount, and tighten the grip head's locking knob.



Combining Mounts

Fit the mount's interlocking pin into the second mount's top receiver, and tighten the locking knob.

The pin has flat milled surfaces on four sides for positioning the top mount at 90°, 180°, and 270° angles.

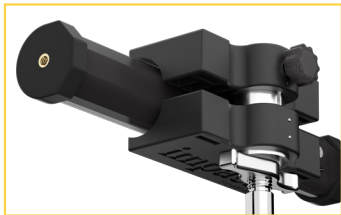


Mounting Options

Use the 3/8-16 thread on the bottom of the pin to attach the mount to any accessory with a 3/8-16 stud, like a light stand or tripod.

Attaching a T12 LED Tube

1. Loosen the T12 lock, and insert the T12 tube into the jaws.
2. Tighten the T12 lock until the LED tube is secure.



Important: The anti-crush jaws are made specifically for the diameter of T12 (1½ in.) Even at maximum tension, the jaws shouldn't do any damage to the tube, but use caution. Glass fluorescent tubes should be secured using only touch-connect strips or cable ties.

Security Slots

Run safety cables or touch-connect strips through the security slots and around the light fixture.



Specifications

Compatible Tube Size	T12 (1½ in.)
Mounts	15.5 mm female receiver 15.5 mm male stud 3/8-16 female thread
Material	ABS plastic, CNC aluminum
Dimensions (H × W × D)	5.7 × 4.3 × 3.1 in. (12.5 × 11 × 8 cm)
Weight	1 lb. (454 g)

One-Year Limited Warranty

This Impact product is warranted to the original purchaser to be free from defects in materials and workmanship under normal consumer use for a period of one (1) year from the original purchase date or thirty (30) days after replacement, whichever occurs later. The warranty provider's responsibility with respect to this limited warranty shall be limited solely to repair or replacement, at the provider's discretion, of any product that fails during normal use of this product in its intended manner and in its intended environment. Inoperability of the product or part(s) shall be determined by the warranty provider. If the product has been discontinued, the warranty provider reserves the right to replace it with a model of equivalent quality and function.

This warranty does not cover damage or defect caused by misuse, neglect, accident, alteration, abuse, improper installation or maintenance. EXCEPT AS PROVIDED HEREIN, THE WARRANTY PROVIDER MAKES NEITHER ANY EXPRESS WARRANTIES NOR ANY IMPLIED WARRANTIES, INCLUDING BUT NOT LIMITED TO ANY IMPLIED WARRANTY OF MERCHANTABILITY OR FITNESS FOR A PARTICULAR PURPOSE. This warranty provides you with specific legal rights, and you may also have additional rights that vary from state to state.

To obtain warranty coverage, contact the Impact Customer Service Department to obtain a return merchandise authorization ("RMA") number, and return the defective product to Impact along with the RMA number and proof of purchase. Shipment of the defective product is at the purchaser's own risk and expense.

For more information or to arrange service, visit www.impactstudiolighting.com or call Customer Service at 212-594-2353.

Product warranty provided by the Gradus Group.

www.gradusgroup.com

Impact is a registered trademark of the Gradus Group.

© 2022 Gradus Group LLC. All Rights Reserved.

