



cforce mini Lens Motor

Software Update Packet 1.0

USER MANUAL

29.05.2015



Gears for cforce mini

K2.0006363	cforce mini Gear m0.6, 56t (Fujinon ENG focus/zoom)
K2.0006365	cforce mini Gear m0.5, 64t (Canon ENG focus/zoom)
K2.0006367	cforce mini Gear m0.4/64p, 80t (Pan. iris, Fujinon ENG iris, Canon ENG iris)
K2.0006370	cforce mini Gear 48p, 60t (Panavision zoom)
K2.0006372	cforce mini Gear m0.8, 40t, 25mm (25mm wide)

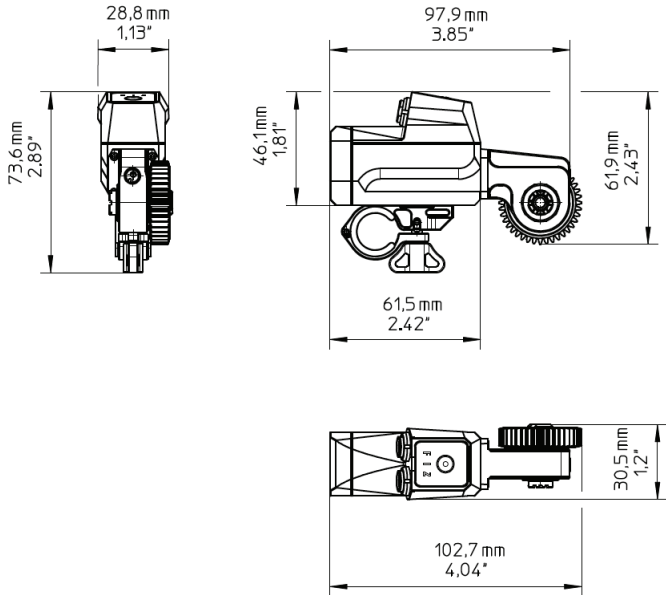
9.2 Specifications

Temperature range:	-20 to +50° C (-4 to +122° F)
Torque:	0.5 Nm peak
Speed:	150 teeth per second
Supply voltage:	12 - 34 V
Power consumption:	max. 15 W peak

9.3 Dimensions and weight

Dimensions

The following dimensions are for the cforce mini (Basic Set) including the cforce mini Clamp Console 19/15mm and cforce mini Gear m0.8/32p, 40t.



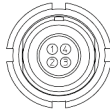
Weight

Weight of cforce mini (Basic Set): 173g/6oz

9.4 Pinouts

The cforce mini motor contains two LBUS connectors (Lemo 4 pin).

LBUS connector



- 1 GND
- 2 CAN-L
- 3 V-BAT
- 4 CAN-H

9.5 Service contacts

Munich, Germany

Arnold & Richter Cine
Technik
+49 89 3809 2121

service@arri.de

Business hours:

Mo. - Fr. 9:00 - 17:00
(CET)

London, Great Britain

ARRI CT Limited
+44 1895 457 051
service@arri-ct.com

Business hours:

Mo. - Thu. 9:00 - 17:30
Fr. 9:00 - 17:00 (GMT)

Vienna, Austria

ARRI Cine + Video
Geräte Ges.m.b.H.
+43 1 8920107 30

service@arri.at

Business hours:

Mo. - Fr. 9:00 - 17:00
(CET)

Milan, Italy

ARRI Italia S.r.l.
+39 (02)262 271 75
info@arri.it

Business hours:

Mo. - Fr. 9:00 - 18:00
(CET)