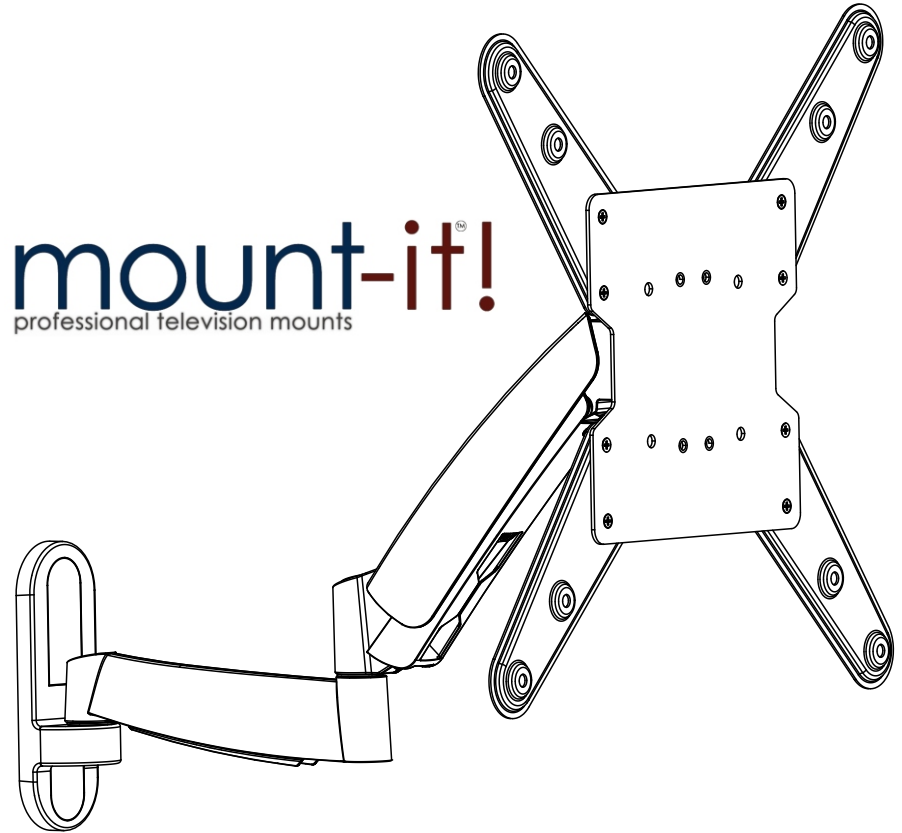


# Counterbalance Full Motion LCD Wall Mount

### Maintenance

- Check regularly that the bracket is safe and secure (at least every three months).
- Contact local distributor for questions or concerns.

mount-it!  
professional television mounts



**CAUTION: DO NOT EXCEED RATED LISTED WEIGHT. SERIOUS INJURY OR PROPERTY DAMAGE MAY OCCUR!**

MI-442



100x100/200x100  
200x200/400x200  
300x300/400x400



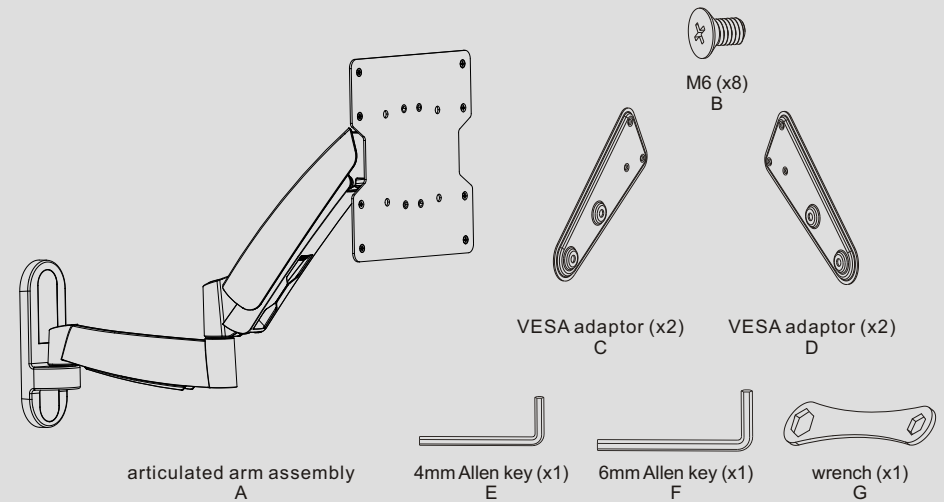
**NOTE:** Read the entire installation manual before you start installation and assembly.

## ⚠ WARNING

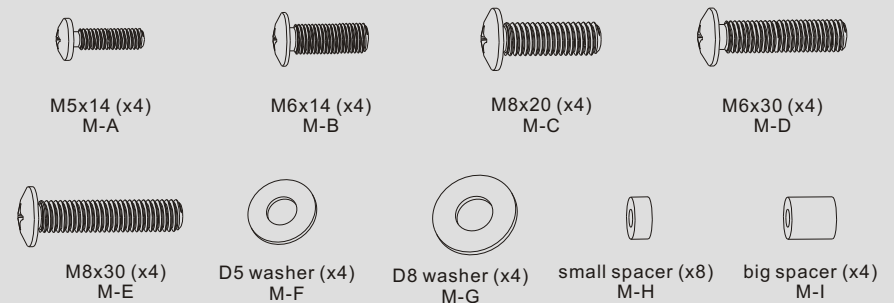
- Do not begin the installation until you have read and understood all the instructions and warnings contained in this installation sheet. If you have any questions regarding any of the instructions or warnings, please contact your local distributor.
- This mount was designed to be installed and utilized **ONLY** as specified in this manual. Improper installation of this product may cause damage or serious injury.
- This product should only be installed by someone with good mechanical ability who has basic building experience and fully understands this manual.
- Make sure that the supporting surface will safely support the combined weight of the equipment and all attached hardware and components.
- If mounting to wood wall studs, make sure that mounting screws are installed in the center of the studs. The use of a stud finder is highly recommended.
- Always use an assistant or mechanical lifting equipment to safely lift and position the equipment.
- Tighten screws firmly, but do not over tighten. Over tightening can cause damage to the items, which greatly reduces their holding power.
- This product is intended for indoor use only. Using this product outdoors could lead to product failure and personal injury.
- Mount-It! guarantees the performance and functionality of the mount only under the conditions it is designed for. Damage to the walls, TV furniture fixtures or persons during installation or after installation is not covered by any explicit or implied warranty.

## Component Checklist

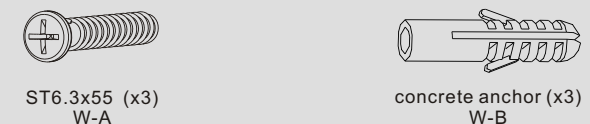
**IMPORTANT:** Prior to installation, ensure that you have received all parts according to the component checklist. If any parts are missing or faulty, contact your local distributor for a replacement.



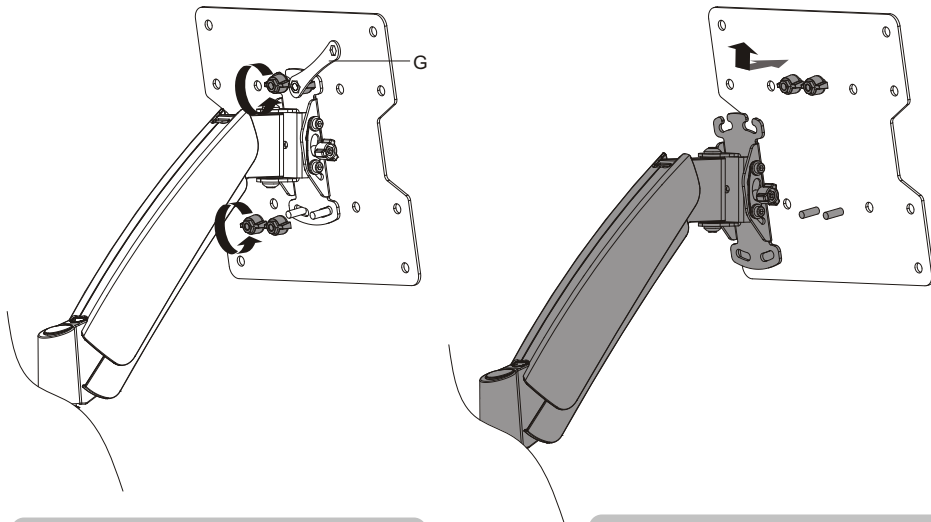
### Package M



### Package W



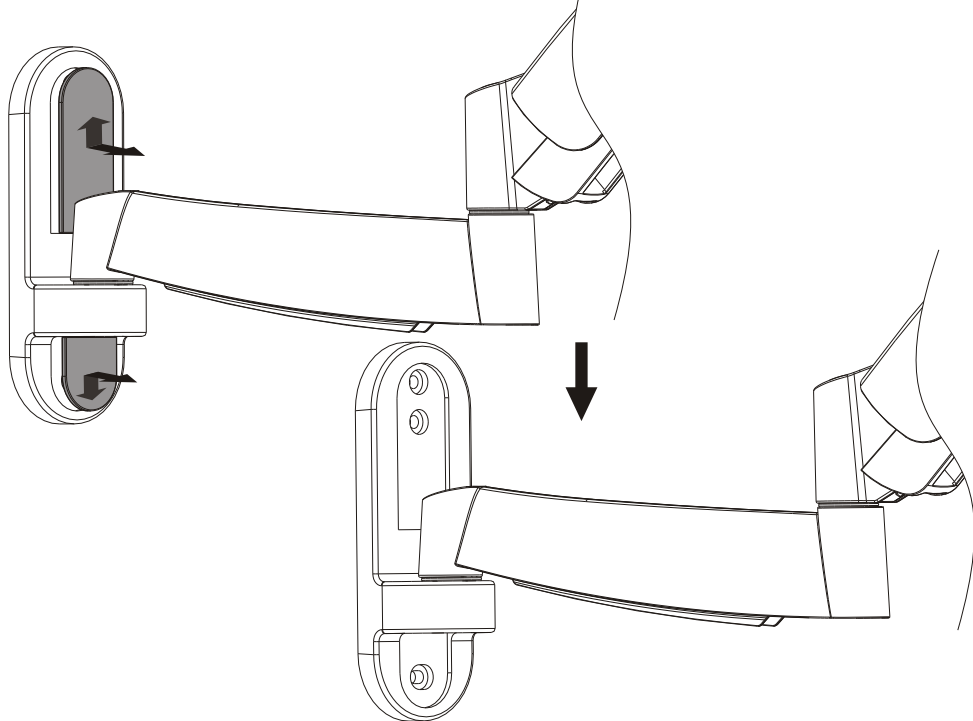
## 1. Separating the VESA Plate from the Wall Mount



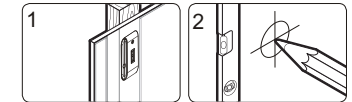
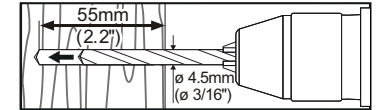
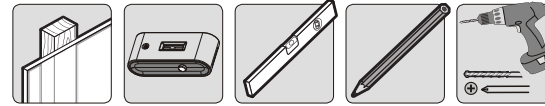
- Loosen the upper knobs using wrench (G).
- Loosen and remove the lower knobs.

Remove the VESA plate from the bracket.

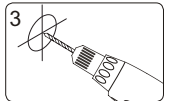
## 2. Removing the Decorative Covers



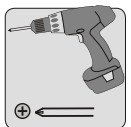
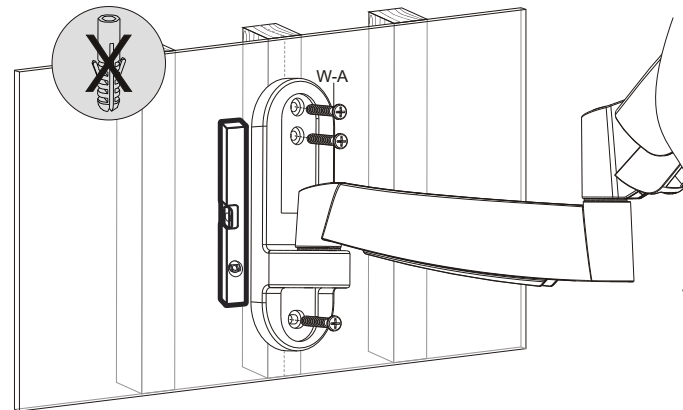
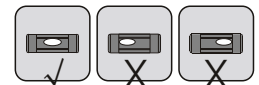
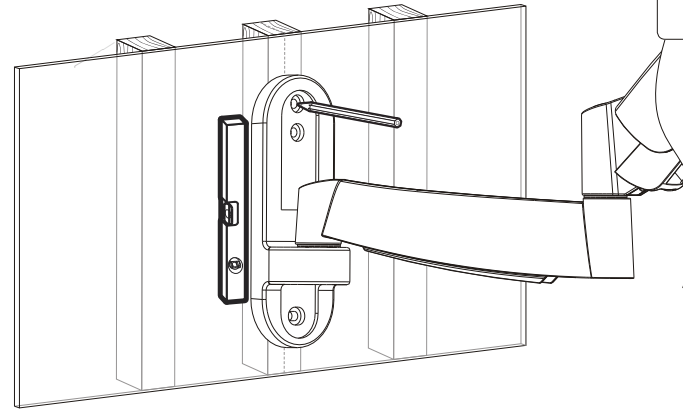
## 3a. For Wood Stud Wall Mounting



Find and mark the exact location of mounting holes



Drill pilot holes

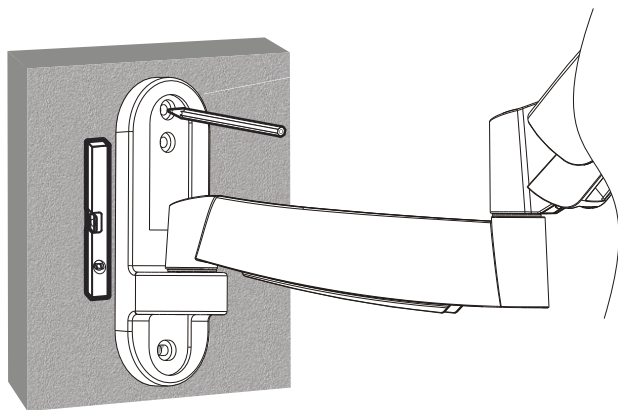
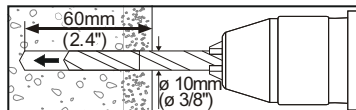
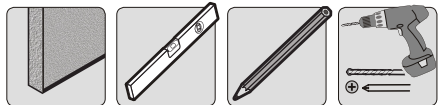


Screw the wall mount onto the wall

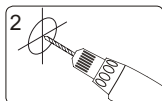
## ! WARNING

- Make sure that mounting screws are installed into the center of the studs. The use of a stud finder is highly recommended.
- Installers are responsible to provide hardware for other types of mounting situations.
- Installers must verify that the supporting surface will safely support the combined weight of the equipment and all attached hardware and components.

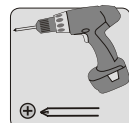
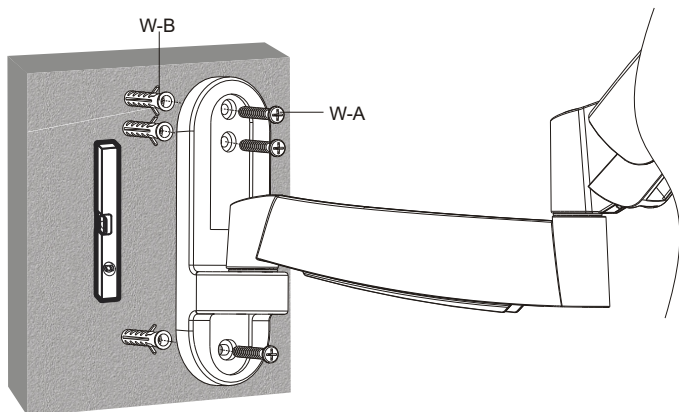
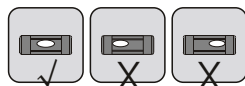
### 3b. For Solid Brick and Concrete Mounting



1  
Mark the exact location of mounting holes

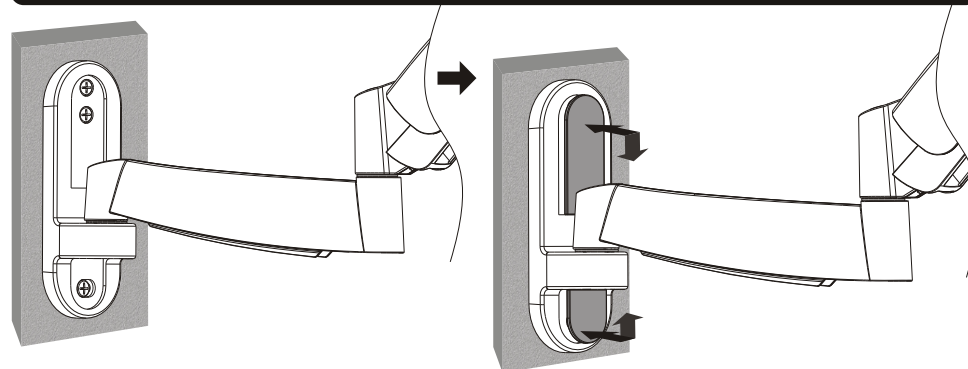


2  
Drill pilot holes



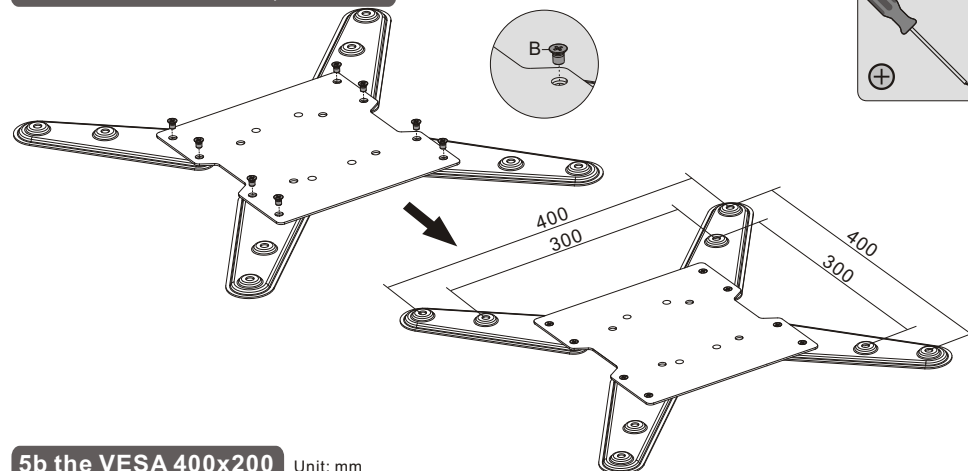
Screw the wall mount onto the wall

### 4. Installing the Decorative Covers

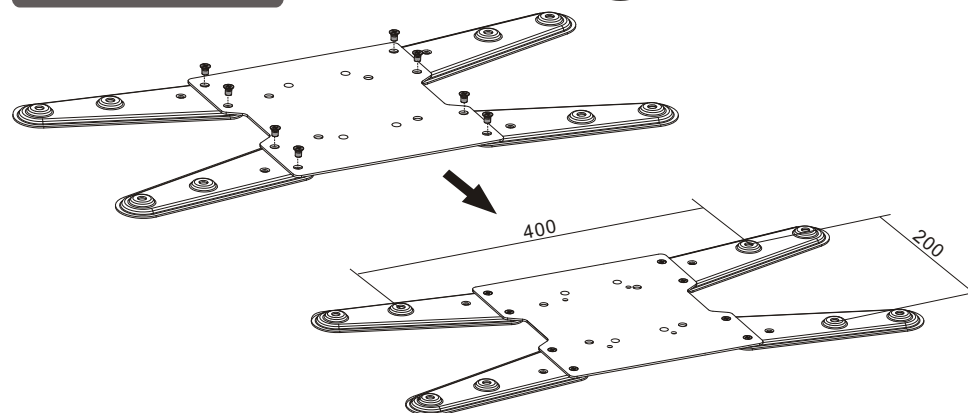


### 5. Assembling the VESA Adaptors (if extension is required)

5a the VESA 300x300, 400X400 Unit: mm



5b the VESA 400x200 Unit: mm

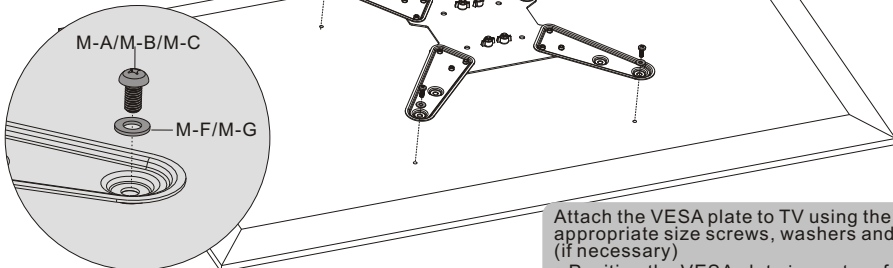
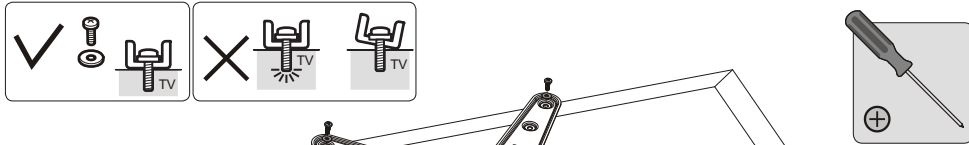


## ⚠ WARNING

Installers must verify that the supporting surface will safely support the combined weight of the equipment and all attached hardware and components.

## 6. Installing the VESA Plate

### 6-1 For Flat Back Screens

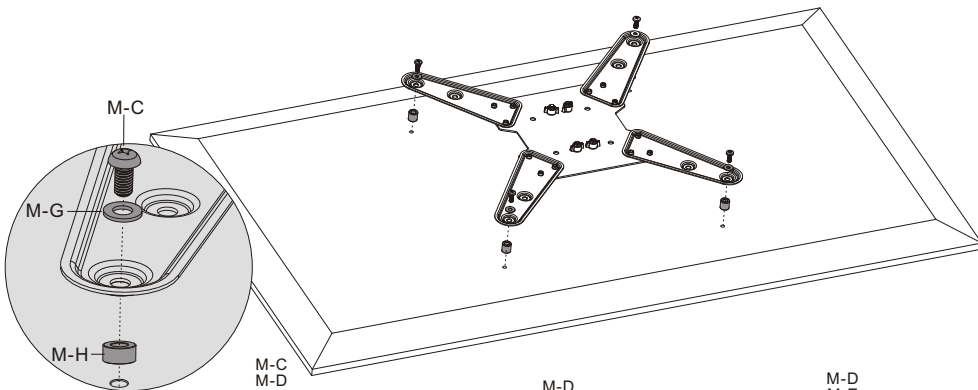


Attach the VESA plate to TV using the appropriate size screws, washers and spacers (if necessary)

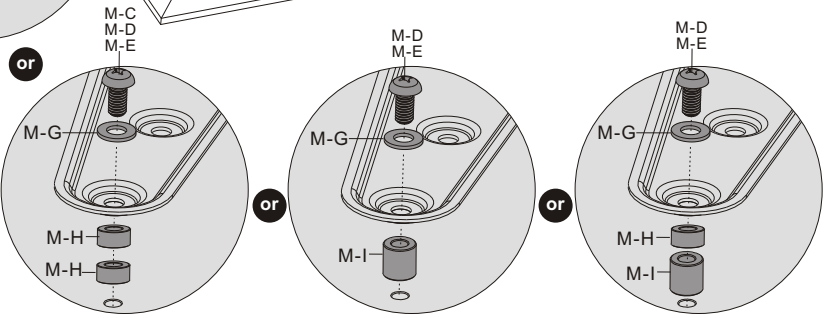
- Position the VESA plate in center of the TV.
- Align holes and crew the VESA plate onto the TV.

**⚠ Do not overtighten screws.**

### 6-2 For Recessed Back Screens



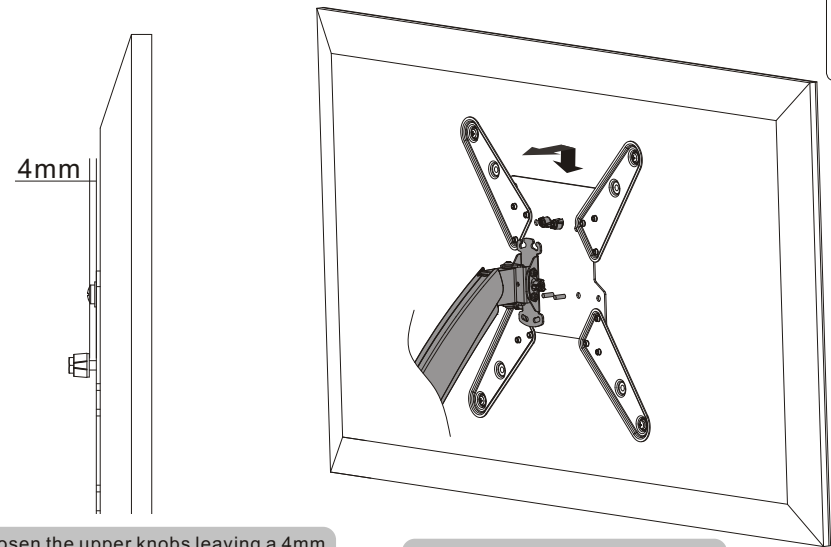
or



or

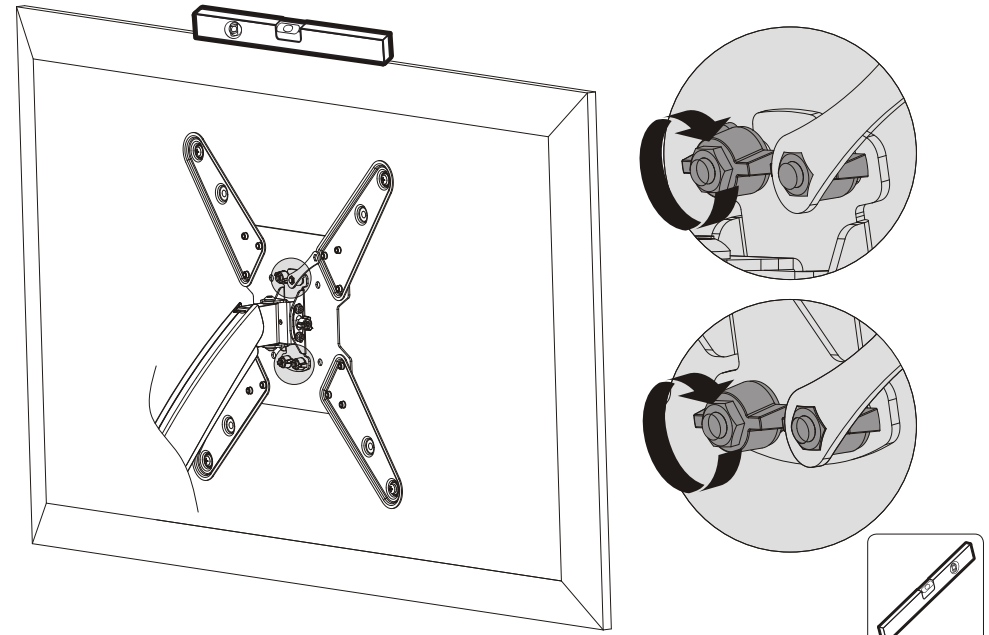
or

## 7. Hooking the TV onto the Wall Mount

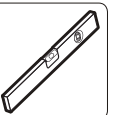


Loosen the upper knobs leaving a 4mm space between VESA plate and knob.

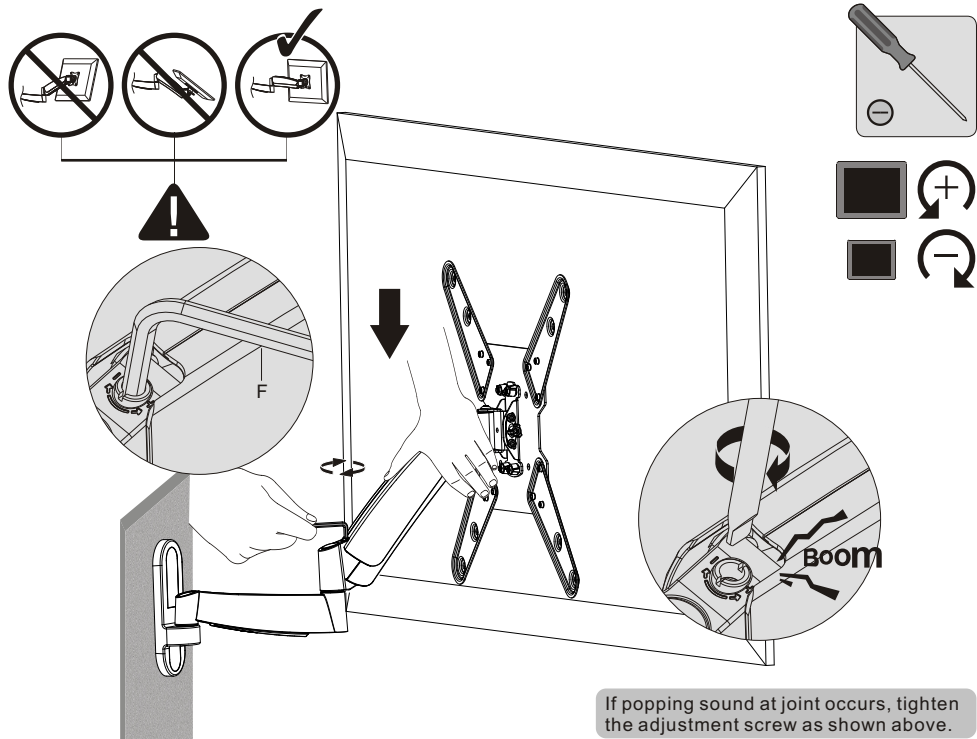
Place the TV onto the bracket.



Keep TV level and put on lower knobs. Tighten upper and lower knobs using wrench (G).



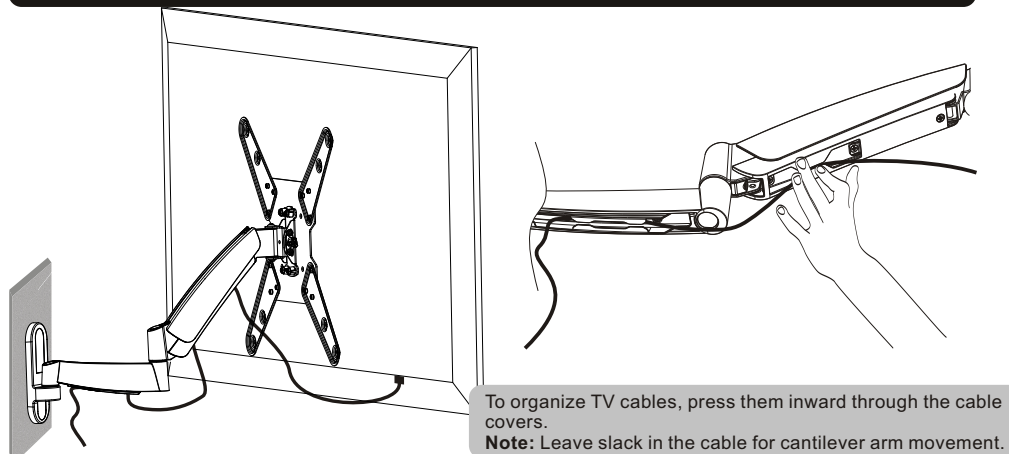
## 8. Tension Adjust



Use Allen key (F) to loosen or tighten the adjustment screw depending on TV weight. Keep arm level during tension adjustment.

If TV sinks on its own, rotate adjustment screw towards the "+" symbol.  
If TV rises on its own, rotate adjustment screw towards the "-" symbol.

## 9. Cable Management



## 10. Adjustment

