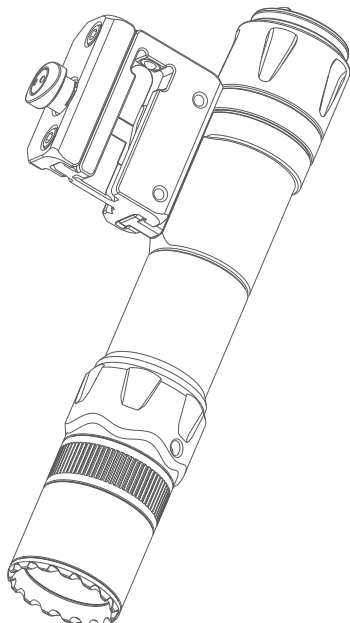


# OOLIGHT

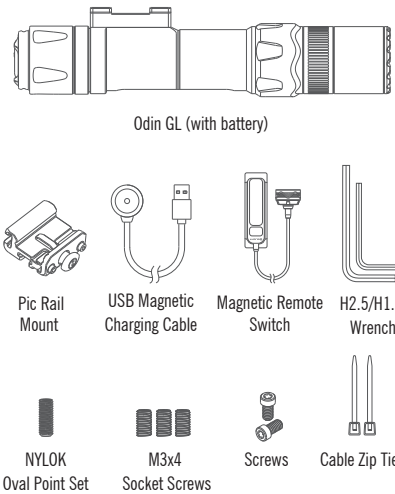
## USER MANUAL



### Odin GL

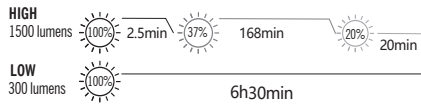
Thank you for purchasing this Olight product. Please read this manual carefully before use and keep it for future reference!

#### IN THE BOX

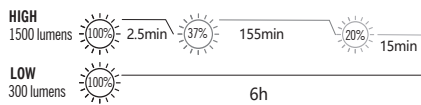


#### SPECIFICATIONS

##### GL BEAM OFF



##### GL BEAM ON



HIGH: 11,556cd LOW: 2,255cd	HIGH: 215m LOW: 95m	IPX4	1.5m

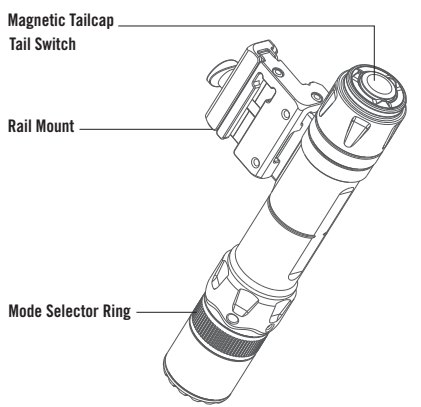
Max Output: 5mW		228g	
Max Runtime: 90h	(L)149*(D)29mm	8.04oz	Including Battery
Wavelength: 510~530nm	(L)5.87*(D)1.14in		

\* The GL beam level is Class 3R/Class IIIa, obeying the standard IEC60825-1 requirement and complying with 21 CFR 1040.10 AND 1040.11.  
\* All above specifications are test results based on ANSI/NEMA FL1 Standard. The tests are performed when the included battery is fully charged.

#### USB MAGNETIC CHARGING CABLE -- MCC3

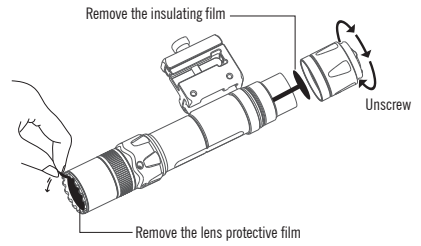
Parameter	Specification
Charging cable	USB type A - magnetic charging connector, length: 0.5m
Input	USB A - Type DC 5V 2A
Charging pattern	C&C&V
Maximum charging current	2A
Voltage of fully charged battery	4.2V±0.05V
Time to fully charge	5.5 hours (For reference only. When the USB power source is insufficient to provide 5V 2A power capacity, the charging time will be longer)
Charge indication	Red: charging Green: full (over 95%) or disconnected with flashlight

#### PRODUCT OVERVIEW



#### BEFORE FIRST USE

Please remove the protective film on the lens; and please also unscrew the tailcap to remove the insulating film within the battery compartment, then screw the tailcap back on tightly. If the battery needs to be replaced, make sure that the positive end of the new battery faces the flashlight head when you put it in.



#### AVAILABLE BATTERIES

- 1 x customized 5000mAh 21700 rechargeable lithium battery

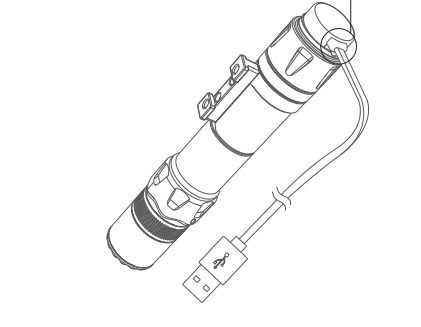
#### CHARGING

##### VIBRATING POWER INDICATOR

It helps to alert if the battery is low (power < 20% vibrate once every 5 minutes; power < 10% vibrate once per minute; power < 5% vibrate once every 10 seconds).

GREEN : Charging Completed

RED : Charging



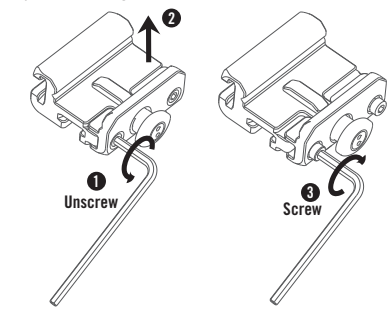
\* Before first use please fully charge the product.

\* Connect the USB end of the magnetic charging cable to an external USB power source, then attach the other end of the cable to the charging port of the light (best charging efficiency with a USB power source of no less than 10W (5V 2A) . The red indicator means charging, while the green indicator means charging completed (battery level > 95%).

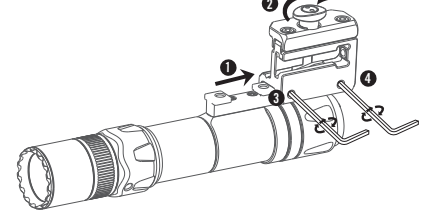
\* Only charge with standard MCC3, not compatible with other MCC.

#### PRODUCT INSTALLATION

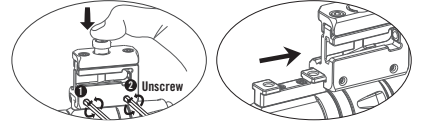
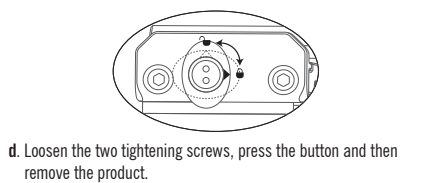
a. Loosen the screws and install the rail mount in its desired position, then tighten the screws.



b. Slide the product into the rail mount until you hear a click, then turn the button 90 degrees clockwise as the mark shows to fix the product. Then, tighten the rail mount to the flashlight firmly by turning the two tightening screws in the rail mount by an H1.5 allen wrench.

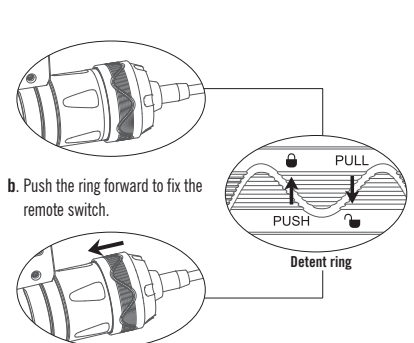


c. Rotate the button 90 degrees counterclockwise to release the product as the mark shows.

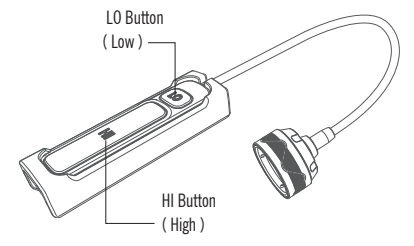


#### REMOTE SWITCH INSTALLATION

a. Attach the magnetic remote switch to the tail of the product (make sure the detent ring of the remote switch is unlocked).



#### MAGNETIC REMOTE SWITCH



Quickly single click the button to turn the flashlight ON/OFF. When you press and hold the button, the flashlight will be in momentary-on mode; when you release the button, it will turn off.

ICON	LIGHT SETTING
	LIGHT
	LIGHT&GL BEAM
	GL BEAM



#### DANGER

- DO NOT shine the light or GL beam directly into human eyes. This may cause temporary blindness, or permanent damage to the eyes.
- DO NOT cover the flashlight's head or place the head on the ground when the flashlight is on. The radiation energy may cause damage to the flashlight itself, or even result in the burning of flammable objects nearby.
- DO NOT leave the light in any type of fabric bag or fusible plastic container under high temperature.
- DO NOT charge the product in any other way than using an MCC3 cable.
- DO NOT use non-protected rechargeable batteries.
- DO NOT use the battery if its wrap is broken.
- DO NOT take the battery out of the flashlight for charging.

#### WARNING

- Keep out of reach of children.
- DO NOT disassemble the product. The disassembling may cause irreversible damage.
- The tail switch may not work while immersed in sea water or other conductive media. Please keep it clean and dry.
- If the light is about to be put aside for a long time or be transported, please unscrew the tailcap and remove the battery to cut off the circuit.
- Take good care of the battery. If the battery needs to be replaced, please keep the removed battery in a safe place. DO NOT mix it with the conductive metals.
- The surface of the light may reach 50°C or above when the high brightness setting is used for a long time.
- GL beam light is bright and blinding - DO NOT shine at aircraft or vehicles at any distance.

#### NOTICE

- DO NOT short-circuit the tail switch cap with the surrounding ring. The short circuit in this case will result in a weak electric discharge between them and may lead to a complete battery drain if it is in this state for too long.

• The Odin GL can only be mounted on Picatinny rails with the included Picatinny mount. Please don't mount it on any M-LOK rails, otherwise the GL beam cannot be zeroed properly.

- Please use the mount slot with tightening screws to install the flashlight for a secure fit.
- The magnetic tail is easy to attract iron debris. Please keep the tail switch cap and the ring surrounding it clean.
- The mode selector ring is magnetically sensitive. When close to magnet, interference may occur.
- The white light is only able to provide 1,500 lumens for 60 seconds. After that, it gradually steps down to 550 lumens within the next 90 seconds.

#### EXCLUSION CLAUSE

*Olight is not liable for damages or injuries sustained resulting from the usage of the product inconsistent with the warnings in the manual.*

## CONTENTS

( EN ) English	01
( CN ) 简体中文	01
( FI ) Finnish	01
( NO ) Norwegian	01
( SV ) Swedish	02
( NL ) Nederlands	02
( PL ) Polska	02
( DE ) Deutsch	02
( HU ) Magyarorszá	03
( RU ) Русский	03
( ES ) Español	03
( UA ) Ukrainian	04
( JP ) 日本語	04
( KR ) 한국어	04
( TH ) ไทย	05
( FR ) Français	05
( IT ) Italia	05
( SK ) Slovenský jazyk	06
( PT ) Português	06

#### ( EN ) English

##### HOW TO OPERATE

**THREE LIGHT SETTINGS AVAILABLE:** By rotating the ring at the head of the flashlight to select white LED only, white LED/GL beam combined, GL beam only accordingly.

**TAIL SWITCH:** Press the tail switch lightly to produce a low light output or press the tail switch hard to produce a high light output. Single press (press and release quickly) the tail switch to turn the flashlight on or off. When you press and hold the switch, the flashlight will be in momentary mode; when you release the tail switch, it will turn off.

#### ( CN ) 简体中文

##### 如何操作手电

**选择光源:** 头部旋转环选择光源, 三种光源模式可选: 白光、白光+绿光束、绿光束。

**尾部按键:** 轻按输出低亮档, 重按输出高亮档; 单按(按下并快速释放) 开启或关闭手电; 长按并保持, 手电开启, 按键释放时手电同步关闭。

#### ( FI ) Finnish

##### VALAISIMEN KÄYTTÖ

**KOLME VALOASETUSTA:** Pyörittä valon etuosaa vaihtaaksesi valkoisen LED:n, vihreän säteen tai edellisen kahden yhdistelmän välillä.

**PERÄKYTKIN:** Käytä alhaista valotehoa painamalla kytkintä kevyesti ja korkeaa valotehoa painamalla kytkintä kovaa. Kytke valaisin päälle ja pois päältä painamalla kytkintä kerran lyhyesti. Käytä valaisinta hetkellisesti pitämällä kytkintä käytön ajan painettuna. Valo sammuu kun kytkin vapautetaan.

#### ( NO ) Norwegian

##### HVORDAN BRUKE

**TRE LYSFUNKSJONER ER TILGJENGELIGE:** Ved å rotere ringen ved lyktetodet kan man velge kun hvit LED, hvit LED og grønn stråle kombinert eller kun grønn stråle i den rekkefølgen.

**HALEBRYTER:** Klikk lett på bryteren for å produsere et svakt lys, eller trykk hardt på bryteren for høy lyseffekt. Enkelt klikk (klikk og slipp raskt) på bryteren for å slå lommelykten av eller på. Når du trykker og holder inne bryteren, vil lommelykten være i øyeblikkelig modus, når du slipper bryteren, vil den slå seg av.

#### ( SV ) Swedish

##### BYTA EFFEKTLÄGE

**TRE OLIKA LJUSLÄGEN:** Genom att rotera ringen på lampans huvud byter du mellan vitt lys, vitt och grönt ljus i kombinerad stråle och grönt ljus.

**Taktisk brytare i lampans botten:** Klicka på knappen lätt och lampan kommer lysa med svag styrka eller klicka på knappen hårt för att lampan ska lysa med hög ljusstyrka. Klicka en gång (tryck släpp snabbt) på knappen för att tända/släcka lampan. När du klickar och håller ned knappen, kommer lampan tändas momentant, när du släpper knappen, slöcknar lampan.

#### ( NL ) Nederlands

##### HOE TE BEDIENEN

**DRIE LICHTINSTELLINGEN MOGELIJK:** Door de ring aan de kop van de zaklamp te draaien om achtereenvolgens alleen witte LED te selecteren, of de witte LED en groene straal gecombineerd, of alleen groene straal dienovereenkomstig.

**Achter schakelaar:** Klik zachtjes op de staartschakelaar om een laag lichtrendement te produceren of druk hard op de staartschakelaar om een hoog lichtrendement te produceren. Eén keer klikken (snel klikken en loslaten) op de staartschakelaar om de zaklamp in of uit te schakelen. Als u de schakelaar ingedrukt houdt, bevindt de zaklamp zich in tijdelijke modus; als u de staartschakelaar loslaat, wordt deze uitgeschakeld.

#### ( PL ) Polska

##### INSTRUKCJA UŻYTKOWANIA

**TRZY TRYBY ŚWIĘCENIA:** Przekręć pierścień przy głowicy latarki aby zmienić tryb świecenia, tylko światło LED, światło LED i wiązka GL, tylko wiązka GL.

**TYLNY PRZYCIŚNIK:** lekkie wcisnięcie tylnego przycisku spowoduje uruchomienie latarki w trybie najniższym. Mocne wcisnięcie tylnego przycisku spowoduje włączenie trybu najwyższego. Pojedyncze wcisnięcie tylnego przycisku spowoduje włączenie lub wyłączenie latarki. Wciśnięcie i przytrzymanie tylnego przycisku spowoduje chwilowe włączenie, puszczenie przycisku wyłączy latarkę.

#### ( DE ) Deutsch

##### BEDIENUNG

**3 Lichtmodi verfügbar:** Durch Drehen des Einstellrings am Lampenkopf kann zwischen weißem Licht, weißem Licht und

GL Strahl kombiniert und GL Strahl gewährt werden.

**Endkappenschalter:** Durch leichtes Drücken des Endkappenschalters erhält man eine niedrige Lichtleistung, durch festeres Drücken des Endkappenschalters erhält man eine hohe Lichtleistung. Durch einmaliges Drücken des Endkappenschalters (schnelles Klicken und Loslassen) wird die Taschenlampe an- oder ausgeschaltet. Wenn Sie den Endkappenschalter gedrückt halten, leuchtet die Taschenlampe im Momentary Modus; Wenn Sie den Endkappenschalter loslassen, wird die Taschenlampe ausgeschaltet.

#### ( HU ) Magyarorszá

##### A HASZNÁLT MÓDJA

**HÁROM ELÉRHETŐ LÁMPABEÁLLÍTÁS:** A lámpafejen lévő kapszoló gyűrű elfordításával a lámpa csak fehér fény, kombinált fehér és zöld fény, csak zöld fény üzemmódra állítható.

**VÉGKAPCSOLÓ:** Nyomja meg finoman a hátsó zárókapokon lévő kapszoló az alacsony fényerőfokozat üzemmód kapcsolásához. A lámpa erős fényerőfokozatra kapcsolásához nyomja be teljesen a hátsó zárókapokon lévő kapszoló. A hátsó zárókapokon lévő kapszoló gyors teljes benyomásával és felengedésével a lámpa bekapcsolható, illetve kikapcsolható. A kapszoló benyomásának és nyomva tartásának idejére a lámpa bekapcsol, majd a kapszoló felengedésekor kikapcsol.

#### ( RU ) Русский

##### Инструкция

**Режимы работы:** с помощью магнитного кольца на голове фонаря вы можете выбрать 1 из 3 режимов работы: только белый свет, белый свет + зеленый лазер, только зеленый лазер.

**Торцевая кнопка:** Легкое нажатие активирует режим 300 люмен, полное нажатие активирует режим 1550 люмен. Для вкл/выкл фонаря необходимо быстро нажать и отпустить торцевую кнопку. Если нажать и удерживать кнопку, фонарь будет гореть до тех пор, пока Вы ее не отпустите.

#### ( ES ) Español

##### CÓMO OPERAR

**TRES CONFIGURACIONES DE LUZ DISPONIBLES:** Girando el anillo del cabezal accedemos a los siguientes modos en el siguiente

orden: solo led blanco, led blanco y verde combinados y solo led verde.

**INTERRUPTOR TRASERO:** Pulse suavemente el interruptor remoto para producir poca luz de salida o pulse fuerte el interruptor remoto para producir mucha luz de salida. Un Solo Clic (pulse brevemente) el interruptor remoto para encender o apagar la linterna. Cuando mantiene pulsado el interruptor, la linterna estará en modo momentáneo; Cuando suelta el interruptor remoto, se apaga.

#### ( UA ) Ukrainian

##### ЯК ПРАЦЮЄ

**ДОСТУПНІ ТРИ РЕЖИМИ СВІТІННЯ:** Поворотом кільця на голові ліхтарика оберіть лише біле світіння LED, поєднання білого світіння LED та зеленого променя, лише зелений промінь.

**КНОПКА ВВІМКНЕННЯ НА ТОРЦІ ЛІХТАРИКА:** Легке натискання на торцеву кнопку вмикає економний режим яскравості; сильніше натискання переводить ліхтарик у стандартний режим світіння. Одне швидке натискання кнопки (натисніть і одразу відпустіть) вмикає і вимикає ліхтарик. Якщо натиснути і так утримувати кнопку, ліхтарик світитиме, і вимкнеться, якщо кнопку відпустити.

#### ( JP ) 日本語

##### 使用方法

**三つのライトモード:** ヘッド部のリングを回転させることで白色LED、白色LED&緑色ビームの組合せ、緑色ビームを切り替え、使用することができます。

**テールスイッチ:** テールスイッチを軽く押すとLowモードで常時点灯。強く押すとHighモードで点灯します。テールスイッチをシングルクリック(クリックして素早く離す)するとライトが点灯・消灯します。テールスイッチを長押し(指はスイッチから離しません)とライトが点灯します、スイッチを離すと消灯します。

#### ( KR ) 한국어

##### 사용 지침

**3가지 모드 설정:** 제품의 헤드쪽에 있는 돌리는 형식의 링 버튼을 조작하여 화이트 라이트, 화이트 라이트 & 그린 레이저, 그린 레이저 순으로 레이저 모드를 설정할 수 있습니다.

#### ( TH ) ไทย

##### วิธีการควบคุมไฟฉาย

**มีการตั้งค่าแสงสามแบบ:** โดยการหมุนวงแหวนบนหัวไฟฉาย คุณสามารถเลือกได้เฉพาะ: LED สีขาว ไฟ LED สีขาวและไฟสีเขียวรวมกัน หรือเฉพาะไฟสีเขียวเท่านั้น

**ตัวกดหาง:** อุ้งหยาบหนึ่งซี่สามารถกำหนดได้โดยการกดตัวกดท้ายหนักหรือเบา สำหรับการเปิดไฟฉาย ทำให้ได้โดยการกดตัวกดท้ายด้วยน้ำหนักไฟฉายจะ เปิด ทำอีกครั้งเพื่อปิดไฟฉาย ส่วนการเปิดหรือปิดชั่วคราว ได้โดยการกดตัวกดท้ายครึ่งหนึ่งค้างไว้ ไฟฉายจะ ติด และไฟฉายจะดับเมื่อปล่อยตัวกดท้าย

#### ( FR ) Français

##### COMMENT L'UTILISER

**TROIS MODES DISPONIBLES:** Tournez l'anneau rotatif entourant la tête de la lampe pour sélectionner les trois modes : LED blanche seule, LED blanche et faisceau GL combinés, faisceau GL seul.

**INTERRUPTEUR:** Presser légèrement le bouton arrière pour activer le niveau de sortie faible ou presser plus fort pour activer le mode fort. Un simple clic (presser et relâcher rapidement) allume et éteint la lampe. Lorsque vous pressez et maintenez le bouton, la lampe s'active momentanément ; lorsque vous relâchez le bouton la lampe s'éteint.

#### ( IT ) Italia

##### FUNZIONAMENTO

**TRE IMPOSTAZIONI DI LUCE DISPONIBILI:** ruota l'anello sulla testa della torcia per selezionare le modalità : solo LED bianco, LED bianco + raggio verde combinati, solo raggio verde.

**INTERRUTTORE DI CODA:** Premere leggermente l'interruttore posteriore per produrre un'emissione di luce bassa o premere con forza l'interruttore posteriore per produrre un'elevata emissione di luce. Con un solo clic (fare clic e rilasciare rapidamente) l'interruttore posteriore per accendere o spegnere la torcia elettrica. Quando si tiene premuto l'interruttore, la torcia si trova in modalità momentanea; quando si rilascia l'interruttore, si spegne.

#### ( SK ) Slovenský jazyk

##### AKO POUŽIŤ

**TRI DOSTUPNÉ NASTAVENIA SVETLA:** Otočením krúžku v čele baterky vyberiete iba bielu LED, kombinácia biela LED a zelená, zelené svetlo iba zodpovedajúcim spôsobom.

**CHVOSTOVÝ VYPÍNAČ:** Ľahko stlačte spínač koncovky, aby ste dosiahli slabý svetelný výkon, alebo stlačte silnejšie koncovky spínača, aby ste dosiahli vysoký svetelný výkon. Jedným kliknutím (rýchlym kliknutím a uvoľnením) koncovým spínačom zapnete alebo vypnete svetlo. Keď stlačíte a podržíte spínač, svetidlo bude vo chvílkovom režime; pri uvoľnení koncového spínača sa vypne.

#### ( PT ) Português

##### COMO OPERAR

**TRÊS DEFINIÇÕES DE LUZ DISPONÍVEIS:** Ao rodar o anel na cabeça da lanterna para seleccionar só LED branco, feixe LED/GL branco combinado e só feixe GL.

**INTERRUPTOR TRASEIRO:** Pressione levemente no interruptor traseiro para obter luz fraca ou pressione o interruptor traseiro com força para obter luz forte. Pressione uma vez (pressione liberte rapidamente) o interruptor traseiro para ligar ou desligar a lanterna. Quando mantiver o interruptor pressionado, a lanterna entra no modo momentâneo e desliga-se quando libertar o interruptor traseiro.

#### EU-DECLARATION OF CONFORMITY



EU-Declaration of Conformity can be found here: <https://olightworld.com/ec-declaration>

#### WARRANTY

**Within 30 days of purchase:** Contact the original seller for repair or replacement.

**Within 5 years of purchase:** Contact Olight for repair or replacement.

**Battery warranty:** Olight offers a one year warranty for all rechargeable batteries.

**USB magnetic charging cable:** One year.

For any of the fragile or low-value fittings not covered above, like lanyard and clip, you can contact the post-sale within 30 days of the purchase, if it has any quality drawback or damage under normal use condition. If such drawback or damage occurs after 30 days of the purchase or under abnormal use condition, we will only offer conditional quality assurance as appropriate.

#### USA Customer Support

cs@olightstore.com

#### Global Customer Support

customer-service@olightworld.com

Visit [www.olightworld.com](http://www.olightworld.com) to see our complete product line of portable illumination tools.

# OOLIGHT

Dongguan Olight E-Commerce Technology Co., Ltd

4th Floor, Building 4, Kegou Industrial Park, No 6 Zhongnan Road, Changan Town, Dongguan City, Guangdong, China.

Made in China

