



# BG-N9

## BATTERY GRIP

Designed For The Nikon  
D3100/D3200 SLR Camera

 VELLO™

USER'S MANUAL

# Introduction

Thank you for choosing Vello and congratulations on your new BG-N9 battery grip purchase. Enjoy the many benefits that a battery grip offers, such as extended shooting time and more control and comfort when shooting in a vertical (portrait) orientation.

The Vello BG-N9 is compatible with the Nikon D3100/ D3200 DSLR camera. The BG-N9 accepts up to two Nikon EN-EL14 rechargeable batteries. The BG-N9 is equipped with an alternate shutter-release button that triggers the camera via the included shutter release cable for shooting in a vertical position.

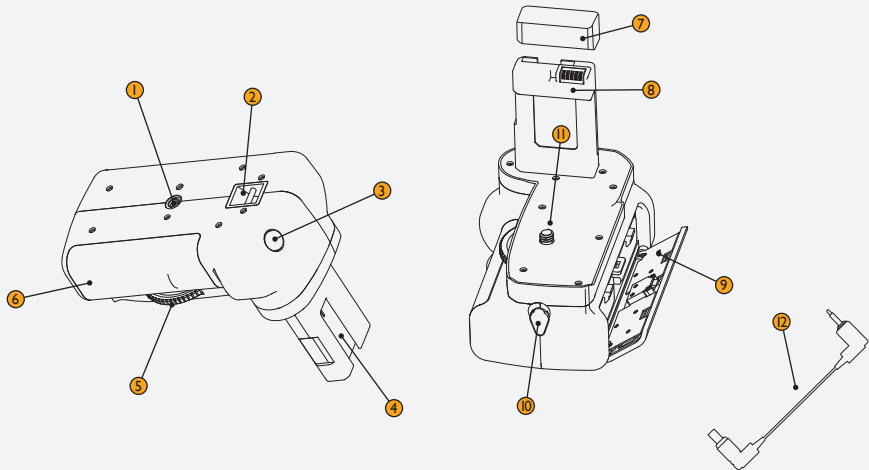
*Please read through this entire manual before using the BG-N9 battery grip.*



# Precautions

- 1.** The BG-N9 should only be used with compatible devices specified in this manual.
- 2.** Only use with batteries recommended in this manual. The BG-N9 can not be used with other battery holders.
- 3.** Cover the power terminals with the contact cap when the BG-N9 is not in use. This prevents electrical shorts caused by metal objects touching the power terminals.
- 4.** If you notice smoke, an unusual smell or noise from the battery pack, discontinue use immediately. Remove the batteries and take the device to a Vello authorized reseller.
- 5.** The BG-N9 does not have a power switch. Instead, use the camera power switch to turn the power on or off.
- 6.** The battery level may not display properly if batteries are inserted before mounting the grip.
- 7.** Remove batteries from the grip when not in use.
- 8.** Do not attempt to disassemble.
- 9.** Avoid water or extreme humidity and keep in a dry and cool place.
- 10.** Keep out of reach of children.

# Overview



### 1 Tripod Socket

Allows the camera to be mounted to a tripod when the grip is mounted.

### 2 Hand Strap Mount

Provides bottom mounting position for the use of a hand strap.

### 3 Shutter Release Button

Use as an alternate shutter release button for shooting in vertical (portrait) mode.

### 4 Camera Battery Door Holder

Stores the camera's battery chamber door when the grip is mounted.

### 5 Attachment Wheel

Secures the grip to the camera's tripod socket.

### 6 Anti-Slip Rubber Grip

Provides secure and comfortable grip when shooting vertically.

### 7 Contact Cap

Protects metal power contacts. Keep this cap on when the grip is not connected to the camera.

### 8 Power Contacts

Slides into the camera's battery chamber and transmits power.

### 9 Battery Chamber Cover

Secures up to two Nikon EN-EL14 batteries.

### 10 Cable Connecting Socket

Accepts sub mini connector of the shutter release cable.

### 11 Mounting Screw

Connects to the camera's tripod socket.

### 12 Shutter Release Cable

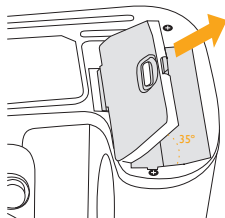
Transmits shutter release signal from battery grip to the camera.

Power Source	Two Nikon EN-EL14 Rechargeable Batteries
Operating Temperature	32 – 104 °F (0 – 40 °C)
Dimensions	Approximately 126x80x100mm
Weight	Approximately 138 g (4.8 oz.) excluding batteries

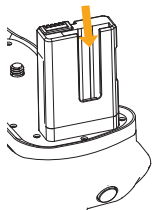
# Attaching The Grip



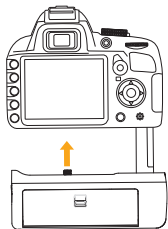
1. Ensure that the power is turned off on the camera.



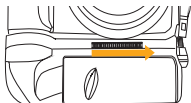
2. Turn the camera upside down and open the camera battery chamber. Pull gently at a 35° angle until the chamber door comes loose.



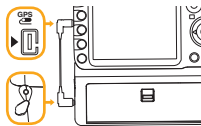
3. Slide the camera battery chamber door into the BG-N9 chamber door holder in order to avoid loss.



4. Insert the BG-N9 grip power contacts into the camera's battery chamber as shown. Make sure to align the camera's tripod socket with the BG-N9 mounting screw.



5. Rotate the attachment wheel in the direction shown by the arrow until it is firmly tightened.



6. Connect Shutter Release Cable from the socket on the end of the battery grip to the remote release/GPS port on the D3100/D3200 body.
7. Turn the camera on and check the battery level on the LCD or viewfinder.

*When removing the grip, turn the camera power off, remove batteries, and replace protective contact cap.*

## Warranty

Vello provides a limited warranty that this product is free from defects in materials and workmanship to the original purchaser under normal use for a period of one (1) year from the original purchase date or thirty (30) days after replacement whichever occurs later. Our responsibility with respect to this limited warranty shall be limited solely to repair or replacement, at its option, of any product which fails during normal consumer use. To obtain warranty coverage during the Warranty Period, contact your place of purchase ("Seller") to obtain a return merchandise authorization ("RMA") number, and return to Seller the defective product along with proof of purchase and the RMA number. This warranty does not extend to damage or failure which results from misuse, neglect, accident, alteration, abuse, improper installation or maintenance. EXCEPT AS PROVIDED HEREIN, VELLO MAKES NEITHER ANY EXPRESS WARRANTIES NOR ANY IMPLIED WARRANTIES, INCLUDING BUT NOT LIMITED TO ANY IMPLIED WARRANTY OF MERCHANTABILITY OR FITNESS FOR A PARTICULAR PURPOSE. This warranty provides you with specific legal rights, and you may also have additional rights which vary from state to state.