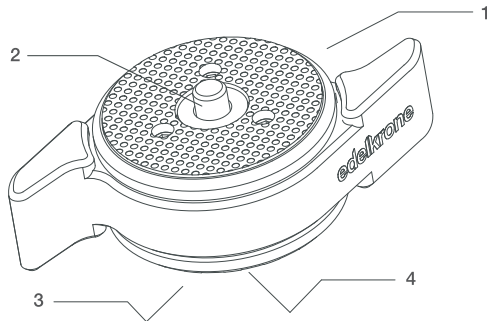


## TABLE OF CONTENTS

1. WHAT'S IN THE BOX & THE BASICS
2. MOUNTING YOUR QUICKRELEASE ONE TO YOUR CAMERA
3. MOUNTING YOUR QUICKRELEASE ONE TO YOUR TRIPOD

## 1. WHAT'S IN THE BOX & THE BASICS



- |                             |  |
|-----------------------------|--|
| 1. QuickRelease ONE         | 3. 1/4" - 20 Mounting port                 |
| 2. 1/4" - 20 Mounting screw | 4. Hex Screw to tighten with the Allen Key |

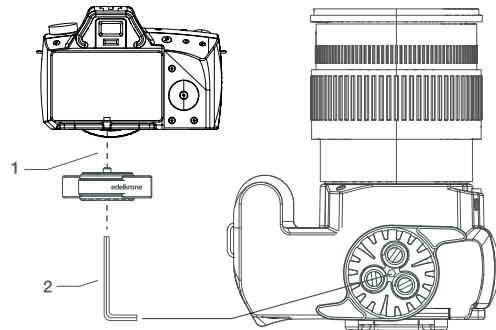
## DISCLAIMER

edelkrone cannot be held responsible for damage caused by improper use or modification of the product.

To get better service about your product,  
please keep the serial number of the product.

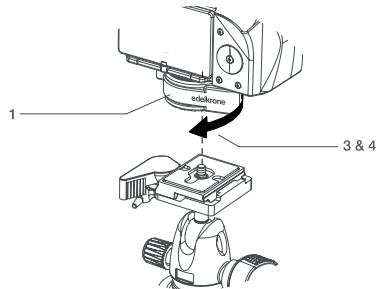
 For more information and tips about your QuickRelease ONE, please watch the users manual videos at the link, [manuals.edelkrone.com](http://manuals.edelkrone.com)

## 2. MOUNTING YOUR QUICKRELEASE ONE TO YOUR CAMERA



1. Place your QuickRelease ONE under your camera.
2. Turn the Allen Key clock-wise until QuickRelease ONE is tightened enough.

## 3. MOUNTING YOUR QUICKRELEASE ONE TO YOUR TRIPOD



1. Before attaching to your tripod, we suggest rotating the QuickRelease ONE to have the edelkrone logo face you.
2. QuickRelease ONE and tripod plate surface must be parallel to each other.
3. Locate the lever and turn clockwise to tighten your QuickRelease ONE.
4. Turn it counter clockwise to detach.

# QUICKRELEASE ONE V2

## USER'S MANUAL

Before operating your edelkrone,  
please watch the user's manual video from the link below

[manuals.edelkrone.com](https://manuals.edelkrone.com)

**edelkrone**  
filmmaking solutions