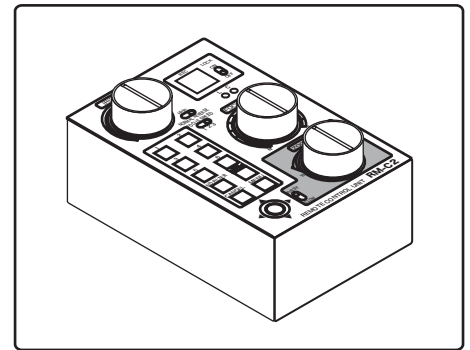


For using RM-C2.



Before operating your RM-C2, please read this manual thoroughly and keep it for future reference.

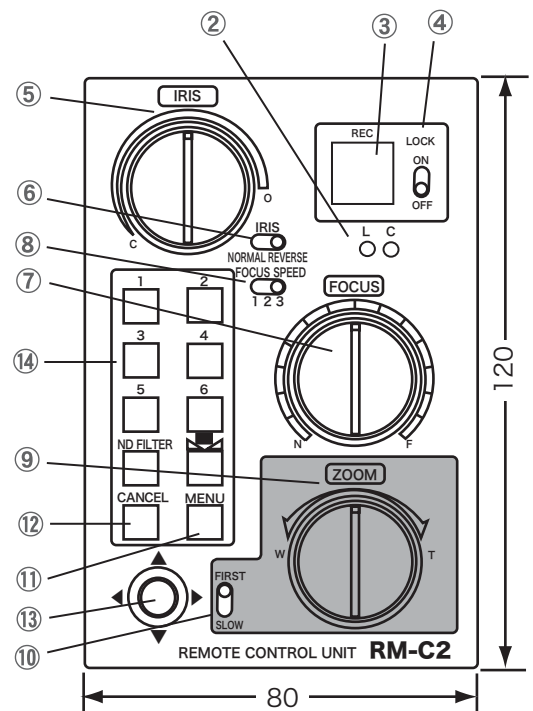
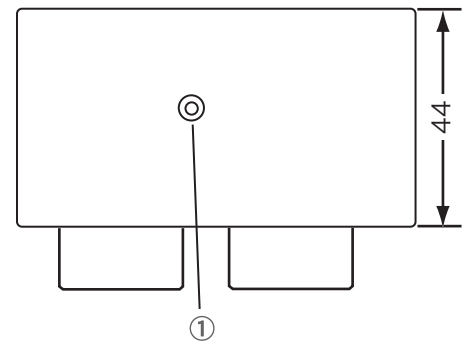
■ Features

- Supports the CANON handy video camera with the LANC remote control.



■ Parts Names and Functions/Dimensions

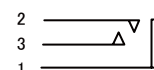
- ① (LANC Connector) 1 × ϕ 2.5 Mini-mini Jack
Connect to the LANC connector of the camera.
- ② L/C LED LANC Operation Indication LED
Lights up to indicate the operation mode.
L : Lights up when LANC mode.
C : Lights up when CANON protocol.
- ③ REC Button REC Start/Stop switch
- ④ LOCK ON/OFF REC button lock switch
When the LOCK switch is ON, the REC button does not function.
- ⑤ IRIS C/O Knob C = CLOSE / O = OPEN
Adjust the iris of the camera lens.
- ⑥ IRIS NORMAL/REVERSE select switch
Select the rotatory direction of the IRIS C/O knob, normal or reverse direction.
- ⑦ FOCUS N/F Knob N = Near / F = Far
Adjust the focus of the camera lens.
- ⑧ FOCUS SPEED 1/2/3 select switch
Select the focus speed.
- ⑨ ZOOM W/T Knob W = zoom to Wide angle / T = zoom to Tele
Turning the knob to zoom the camera zoom lens. The zooming speed varies according to the rotating angle of the knob.
- ⑩ FIRST/SLOW Switch Zoom speed select switch
Select the zoom speed.
- ⑪  WHITE BALANCE SET Button
When the WHITE BALANCE is pressed, the WHITE BALANCE adjustment of the camera is adjusted automatically.
- ⑫ MENU Button When the button is pressed, the MENU is displayed on the viewfinder screen.
- ⑬  Joystick
The joystick moves the cursor up, down, left and right on the screen. Pressing this button set the menu item or value.
- ⑭ 1/2/3/4/5/6 Assign Button
Each of the 1/2/3/4/5/6 memories can stored the preset functions. When each button is pressed, each preset function works.
- ⑮ ND FILTER Switch Pressing this switch functions the ND FILTER.



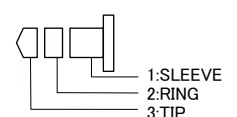
Attention:

This product performs the remote control such as camera lenses by each operation, but it may not support some of functions of the camera to use. Because this product does not have a function to display answerback about the operating conditions of each apparatus, please confirm the operating conditions of each apparatus to watch the state or the indication of them.

ϕ 2.5 Mini-mini-jack

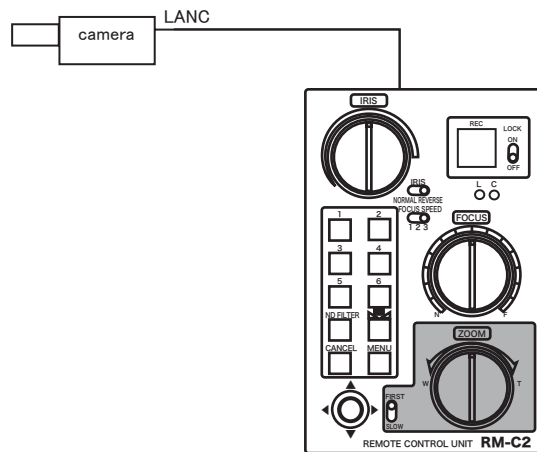


ϕ 2.5 Mini-mini-plug1



■ Connection/Use

◎Connect and use the LANC camera.



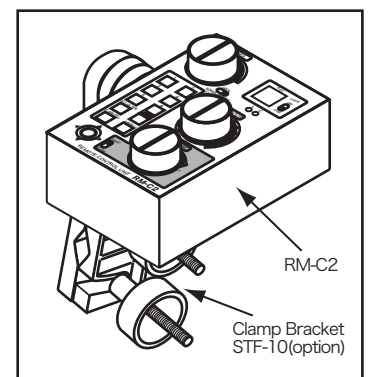
■ Specifications

Input/Output/Functions	
For the CANON cameras with the LANC connector.	
LANC Connector	1 × ϕ 2.5 3P Mini-mini Jack : for connection to LANC camera
REC Switch	Push Switch : REC ON(Start)/OFF(Stop)
LOCK ON/OFF Switch	Toggle Switch : LOCK ON(REC)/OFF(Stop)
ZOOM knob W/T	WIDE – TELE Zooming speed is variable according to the angle of rotation of the knob.
ZOOM FIRST/SLOW Switch	Toggle Switch
FOCUS Knob N/F	NEAR – FAR A change in the focus distance depends on the speed of rotating speed of the knob.
FOCUS SPEED 1/2/3 Switch	Toggle Switch
IRIS Knob C/O	CLOSE/OPEN Adjust the IRIS.
IRIS NORMAL/REVERSE Switch	Toggle Switch
WHITE BALANCE Switch	Push Switch : Pressing this switch enables the auto white balance function of the camera.
MENU Switch	Push Switch : Pressing this switch displays the MENU on the viewfinder screen.
ND FILTER Switch	Push Switch : Pressing this switch functions the ND FILTER.
General	
Screw hole for Clamp Bracket	For fixing the Clamp Bracket STF-10(optional)
Dimensions(WxHxD)	approx. 80 x 120 x 44 mm (main body)
Weight	approx. 0.28 kg (main body)
Operating Temperature	0 °C ~ 40 °C
Storage Temperature	-20 °C ~ 60 °C
Accessories	
2.5 Mini-mini plug Cable/Operating Instructions	

NOTE Features, design and specifications are subject to change without notice.

■ Option

Clamp Bracket	STF-10	(approx. 0.45 kg) For fixing to the pan handle of the tripod
ϕ 2.5 Mini-mini plug Extention Cable		
Rack Mount Bracket	HS-REM1	For RM-C1 , able to mount up to 5 pieces max.



NIPPON VIDEO SYSTEM accepts no liability whatever for incidental damages arising out of the use or inability to use the product, including, but not limited to, damage to the camera, etc., corruption or loss of data, lost business revenue or suspension of business operations.
NIPPON VIDEO SYSTEM accepts no liability whatever for damages arising from improper use not conforming to the instructions in the instruction manuals.