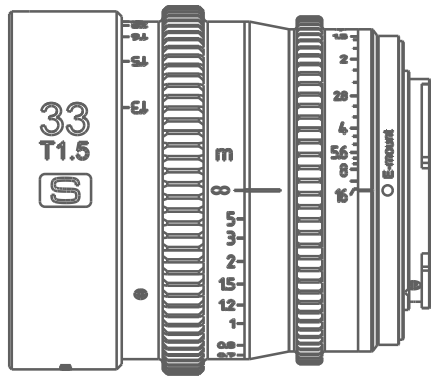


VILTRONX®

S 33mmT1.5 (E-Mount)

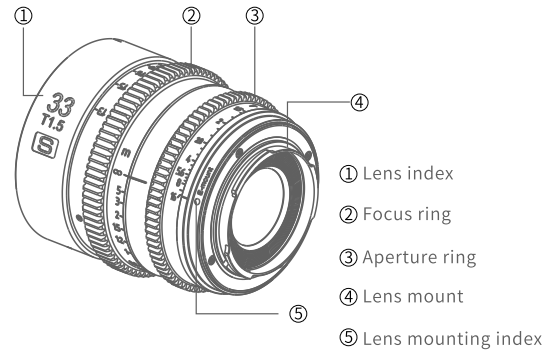


Operating Manual

Product Features

- Half-frame
- 33mm focal length and 1:1.5 high aperture
- 9 groups of and 10 pieces of optical structures; 1 ED lens and 1 highly refractive lens
- High-definition multi-layer nano films and waterproof anti-fouling films on front lens
- Manual focus and silky precise bronze parts (key components)
- 14 pieces of ultra-round apertures
- Precise metal structures

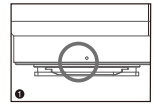
Components



Lens Assembly and Disassembly

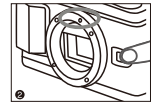
● Lens assembly

Align the lens mounting index with the same index on the camera. Then, rotate the lens clockwise until it is mounted in place. (As to detailed steps of lens assembly and disassembly, refer to the camera operating manual).



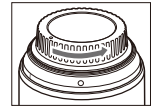
● Lens disassembly

Push the release button on the camera and turn the lens counterclockwise along the shown direction until the lens stops moving. Then, detach the lens. After disassembling the lens, please put the back end of the lens upward, in order not to scratch the lens surface and the electronic contact.

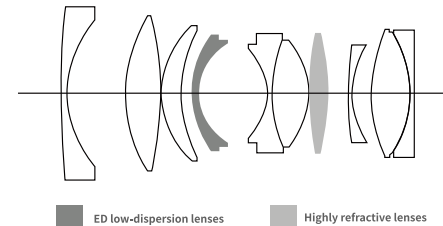


● Lens cap

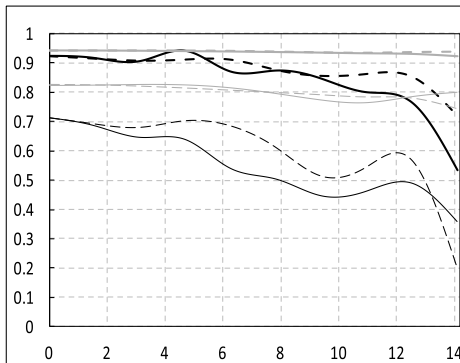
To detach the lens, it is necessary to mount an anti-dust cap.



Lens Structure



MTF Curves



Spatial Frequency	T1.5		T8	
	S	M	S	M
10 Line Pairs/mm	——	-----	——	-----
30 Line Pairs/mm	——	-----	——	-----

⚠️ Attentions

- To take the lenses from cold environment to warm environment, condensation might occur on lenses and internal parts. To prevent condensation under this circumstance, put the lenses inside an airtight plastic bag before taking them from cold environment to warm environment. After the lenses gradually become warm, take them out for use. Please follow this step too in taking lenses from warm environment to cold environment.
- Please don't put lens in places where temperature is too high such as cars directly exposed to the sun. High temperature might cause lens failures.
- To mount lenses on cameras, you'd better hold the lenses (do this too in mounting the lenses on the tripods).

⚠️ Safety Instructions

- Please don't view the sun or bright light sources through lenses or cameras, or else your eyesight will be impaired. It is especially harmful to directly watch the sun through lenses.
- Please don't take photos by pointing the lenses or cameras at the sun. The lenses will focus on light, so the cameras will fail or be caught in fire even if the sun is not within the image area, or photos are taken against light.
- No matter if lens are mounted on the cameras, please don't put the uncapped lenses in the sun, or else the lenses might converge light sources and thus cause fire.

🧼 Cleaning

- Please don't directly touch lenses with hands, or else the lenses will become dirty. Please blow dust away with lens blower, and gently scrub the lenses with clean soft lens cleaning wipes.
- Please don't use any organic solvent such as thinner and petrol to clean lenses.

The operating manual is only for reference, and the right to interpret the manual shall be owned by us.

Product Parameters

S 33mmT1.5 (E-Mount)	
Focal Length	33 mm
Aperture	T/1.5 - T/16
Number of Aperture Blades	14
Shortest Focus Distance*	0.4 m (1.31 ft)
Image Size	28.4 mm (1.12")
Front-end Diameter	70 mm (2.76")
Filter Size	M62×0.75
Lens Size (Diameter/Length) [†]	72X77 mm (2.83"X3.03")
Weight [†]	~510 g (1.12pound)
Horizontal Field (APS-C) [‡]	38.97°(H)

1. The shortest focus distance is measured from the image plane.
2. The diameter is the maximum, and the length is measured from the front end to the flange facing of the mount.
3. Weight measurement (excluding front lens cap and mount cap).
4. Horizontal field corresponding to the APS-C frame camera (width to height ratio: 1:1.5; size: 23.7mm X 15.7 mm/0.93" X 0.62")

※ The above data has been obtained based on corporate measurement conditions. In case of any change in design or specification, no further notice will be given.

Shenzhen Jueying Technology Co., Ltd
 TEL: 0755-28779024 FAX: 0755-28774730
 Email: info@jytc-hk.com Website: www.viltrox.com
 Address: 2/F, Bld 4, Baokun Science and Technology Industrial Park, Xialingpai,
 Dalang Str., Longhua, Shenzhen, China