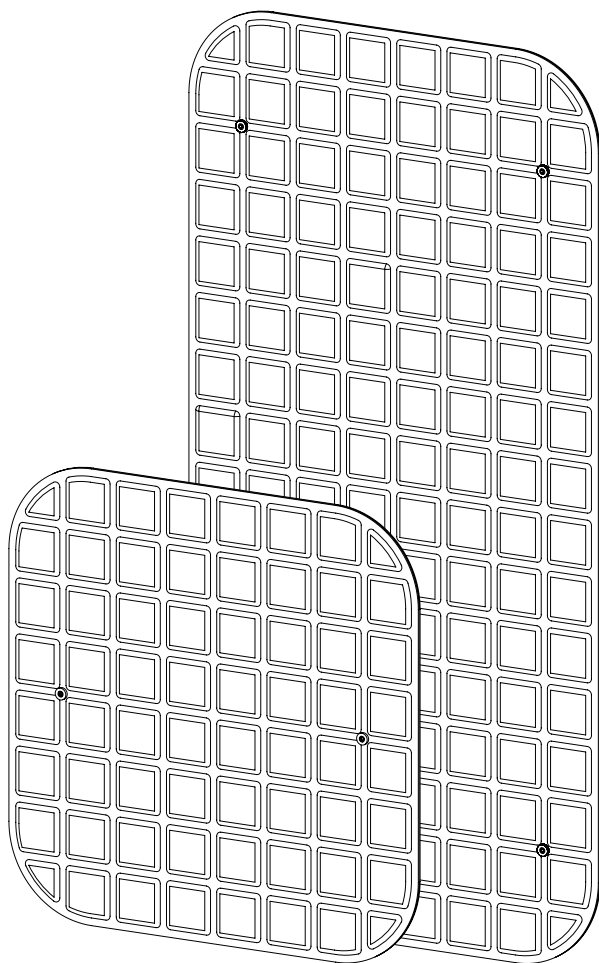


VicOffice

Wall

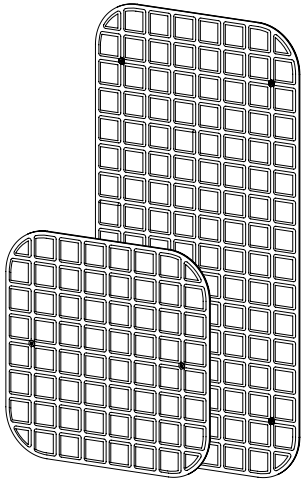
Installation Manual





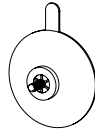
MATERIAL NEEDED

Included



595x595mm x1

1190x595mm x1



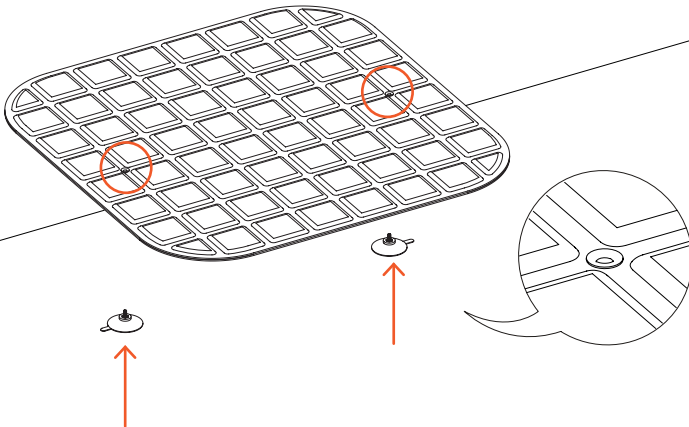
x 2/4

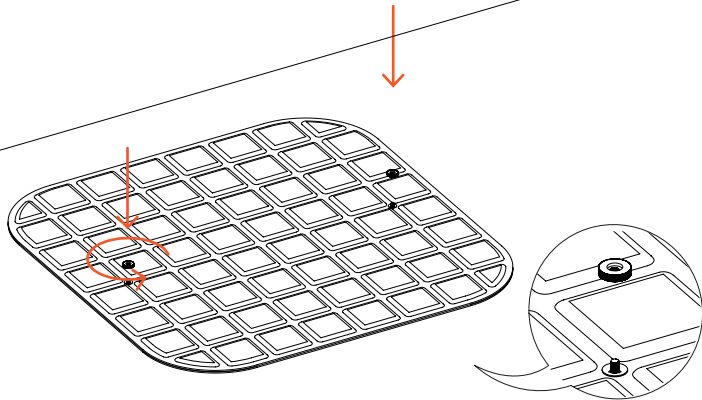


x 2/4

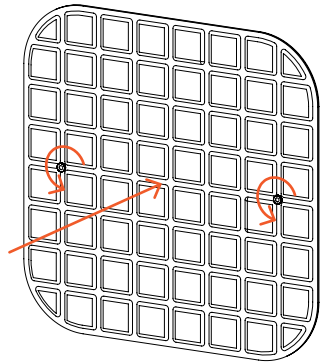
1

Insert the suction cups into the marked holes and fix the plastic nuts on them.



2**3**

Fix the suction cups on the glass and apply some pressure to them. If you want to remove the panels, unscrew the nuts so that you can release the panel.



Main Office, R&D & Logistics

Avenida do Pólo 3, N.º 159, Carvalhosa
4590-137 Paços de Ferreira, Portugal

Office

Rua Quinta do Bom Retiro N.º 16, Armazém 9
2820-690 Charneca da Caparica, Portugal
T (+351) 212 964 100

Info and Sales

E sales@vicoustic.com

www.vicoustic.com



© Vicoustic, 2021 | V3

No parts of this document might be copied and/or published without written consent of Vicoustic.