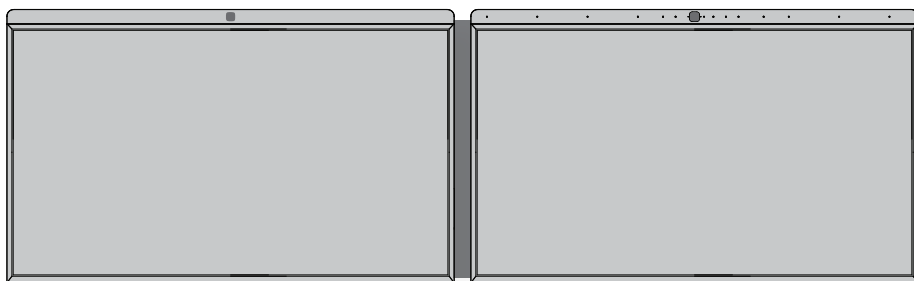


DTEN D7

55" Dual

User and Installation Manual



CERTIFIED HARDWARE
& Technology Partner

zoomrooms

TOUCH

DTEN



DTEN

San Jose, CA, USA

DTEN.COM

Sales@DTEN.com

Support@DTEN.com

+1 866-936-3836

CONTENTS

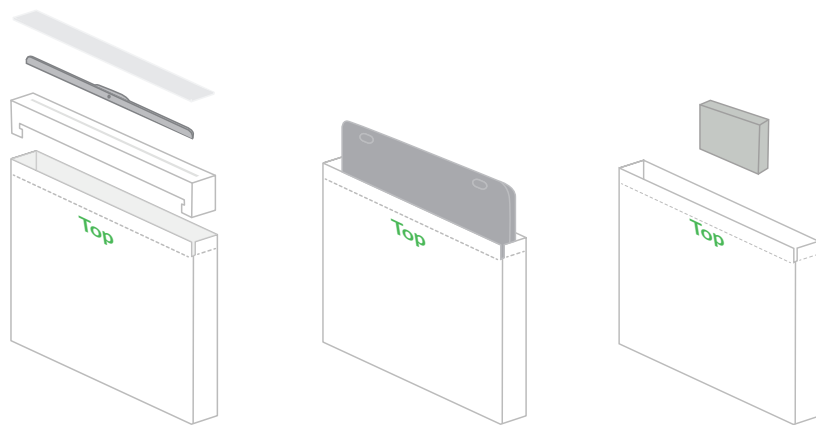
IMPORTANT SAFETY INFORMATION	3
PACKAGE CONTENTS	4
INTRODUCTION	5
CONFERENCE ROOM SETUP	6
HARDWARE	7
SETTINGS	11
CONNECTING TO A NETWORK	12
SETUP, SIGN IN, ZOOM ROOMS ACCOUNTS.	13
WALL MOUNTING	14
ATTACH MOUNTING BRACKET	16
ATTACH CLIPS TO MONITOR	17
HANG MONITOR ONTO WALL BRACKET	18
RACK MOUNTING:	19



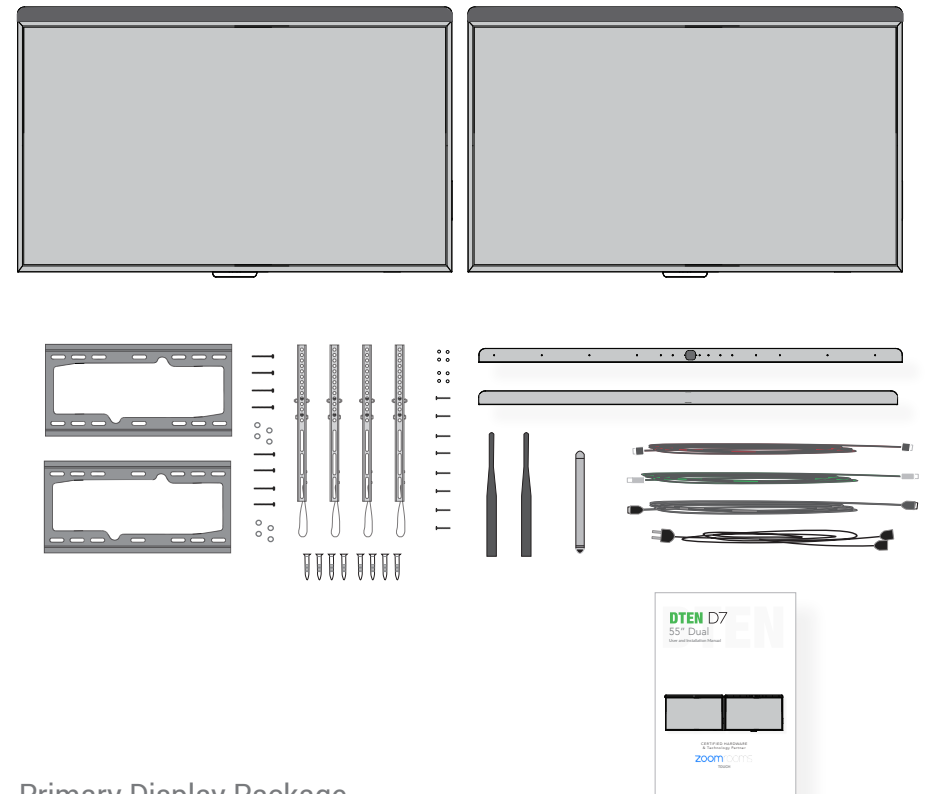
IMPORTANT SAFETY INFORMATION

Read and follow the information in this manual. Failure to follow instructions, warnings or statements of “Important” information may result in damage to the equipment and/or personal injury. Keep these instructions for future reference.

- ⚠ Verify that all connections and attachments are correct according to these instructions before connecting the power.
- ⚠ Only attach the Monitors to walls, surfaces or other equipment that is designed and mechanically capable of supporting them.
- ⚠ Avoid placing the equipment near sources of heat or direct sunlight.
- ⚠ Keep all equipment in a dry and safe environment; avoid any contact with liquids
- ⚠ All internal repairs must be performed by qualified personnel.
- ⚠ Disconnect equipment from the power source during long periods of non-use.
- ⚠ During cleaning, always disconnect the power; then use a soft dry or slightly damp cloth.
- ⚠ Never use damaged equipment.



Unboxing: remove parts and packing material from top of box.



Primary Display Package

Contents:

- DTEN D7 HD Interactive Primary Display
- 4K Video/Sound AV Panel
- Mounting Brackets (screws, washers, wall plugs)
- Monitor Mounting Clips (screws, washers)
- Wi-Fi Antenna (x2)
- D7 Stylus
- Cables: Power
- Manual

Secondary Display Package Contents:

- DTEN D7 HD Interactive Secondary Display
- Blank Av filler panel
- Mounting brackets (screws, washers, wall plugs)
- Monitor Mounting Clips (screws, washers)
- Cables: HDMI, Touch/USB, RS232, Power (split)

The **DTEN D7 Dual** is a complete **ZOOM ROOMS TOUCH** conferencing installation, including all hardware and software. The built-in, AI enhanced, 16 element microphone array with 4K camera, offers a best-in-class conferencing, wireless, screen sharing, and white boarding experience. *(All software is pre-installed.)*

The **ZOOM ROOMS** conferencing application is secure and highly adaptable, allowing remote attendees on almost any platform or hardware to fully participate. With the **DTEN D7** conference room installation, attendees may also administer meetings or screen-share from any connected laptop or tablet that is on the same network (with the **ZOOM ROOMS** App installed).

Setting up the **DTEN D7** is a simple 'plug-and-play' process consisting of only a few basic steps:

1. ATTACH THE CABLES AND ANTENNA
2. MOUNT THE DISPLAY, EITHER ON A RACK, STAND OR WALL
3. CONNECT TO A NETWORK (LAN)
4. CONNECT THE POWER
5. SIGN IN TO AN EXISTING OR OPEN A NEW **ZOOM ROOMS** ACCOUNT

For the best experience and to fully optimize the capabilities of the hardware, follow these tips and suggestions regarding the layout and arrangement of the Conference Room Space.

- Monitors should be mounted at approximately eye level when standing, in a central location and in full view of all meeting participants.
- The space should be well lit.
- Fluorescent lighting is not recommended.
- Avoid bright lights, windows, or colors in the background behind attendees.
- Participants' faces should not be in shadow.
- Rooms with many hard surfaces may be acoustically "ambient". Acoustics can be improved by adding thick carpeting, sound absorbing furniture (such as bookcases), or acoustic panels/partitions.



HARDWARE

Connecting the Monitors is a quick and simple process. Follow these important guidelines:

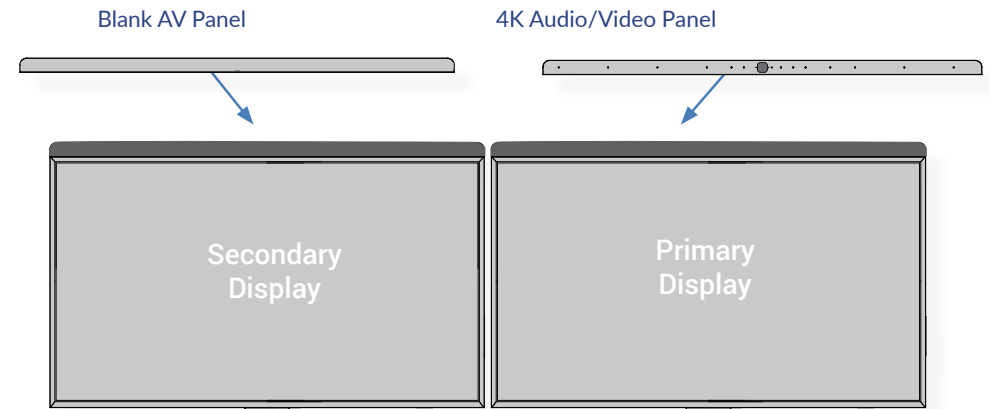
- Only connect the Power Cable to the equipment AFTER all other parts and cables are connected and assembled correctly.
- It may be easier to attach cables and accessories to the display before wall mounting.
- For detailed wall and rack mounting instructions, see the [Wall Mounting](#) section in this manual.

You will need:

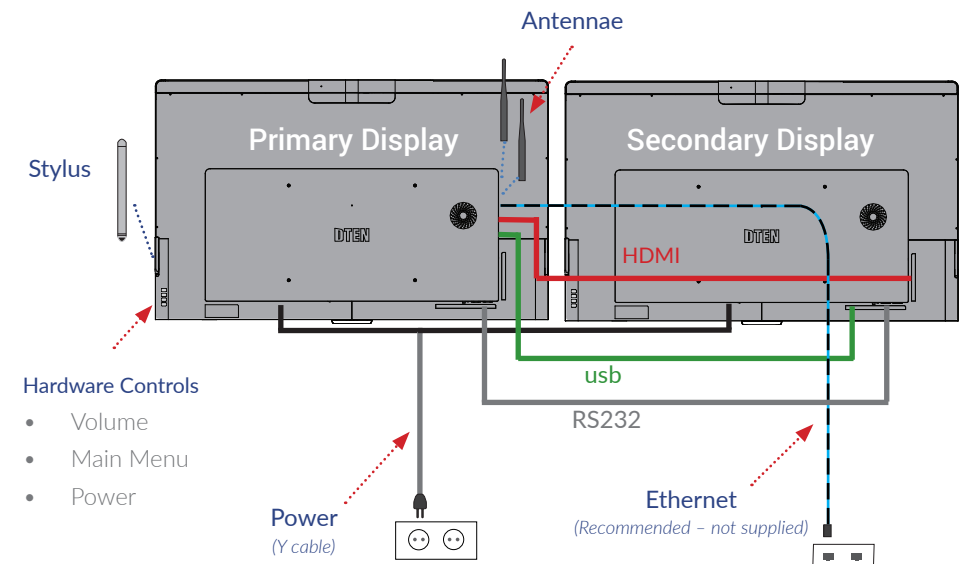
- An Ethernet or WiFi connection to a local network
- A Power Outlet (110 - 240v)
- Ethernet Cable (if required)

HARDWARE SETUP

Press AV Panels into place.



Mount the Primary Display to the right of the Secondary Display



Note: Only attach power cables after all other connections are completed.

HARDWARE SETUP

CABLE CONNECTIONS

1. On the Primary Display:

- If not already attached, insert the Audio/Video Panel into the monitors, as shown on the previous page.
- Attach the Antennae to the rear panel, as shown opposite.
- The Stylus may be attached to the magnetic clip/shoe.
- Connect the following cables which are color coded:
- **HDMI** cable (Red) to HDMI out.
- **Touch/USB** (Green) to USB port.
- **RS232** (Black) to RS232 port on the lower side of the monitor.
- **Ethernet** (not supplied) to the Ethernet port.

2. On the Secondary Display:

- If not already attached, insert the AV filler panel to the monitor, as shown.

Connect the following cables:


- **HDMI** cable (Red) to HDMI 1 port.
- **Touch/USB** (Green) to Touch/USB port (Type B).
- **RS232** (Black) to RS232 port on the lower side of the monitor.

3. With all connections made:

- Insert the Power Cable into the ports on the lower sides of the monitors and the power outlet.
- Arrange or dress cables using ties or tape.

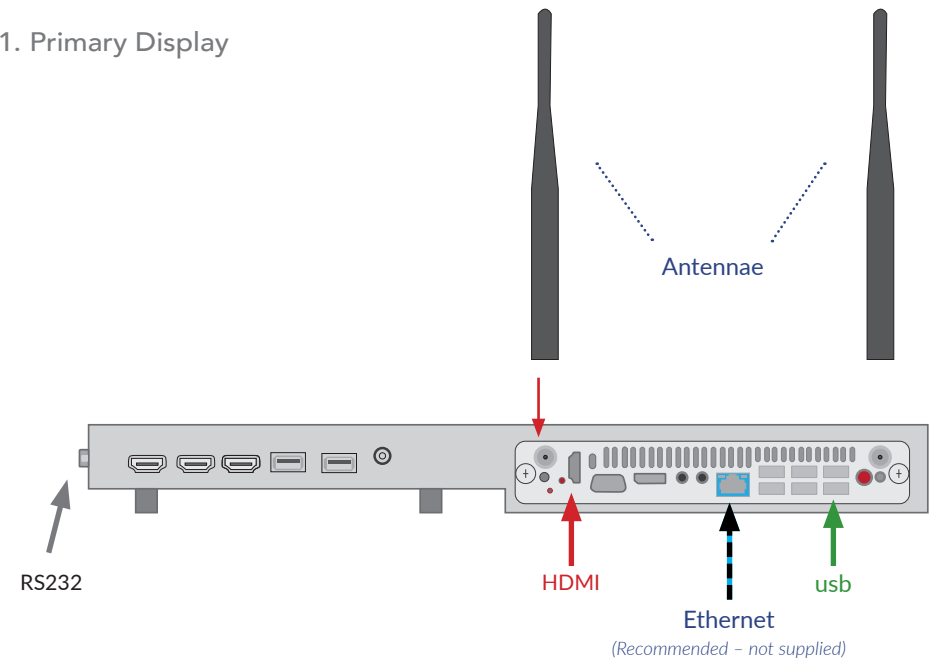
4. With the power connected:

The monitors will power up and **ZOOM** ROOMS will launch.

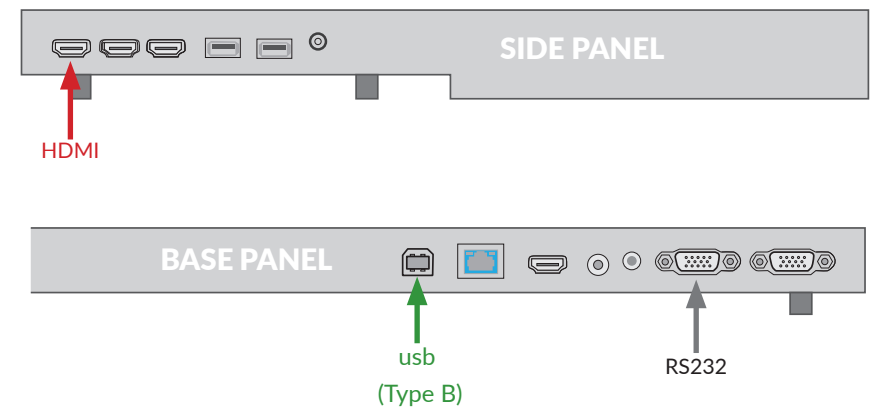
(Note: In the event that the monitor does not power up, it may be necessary to press the Power button  on the rear right hand of the Display.)

HARDWARE SETUP

1. Primary Display

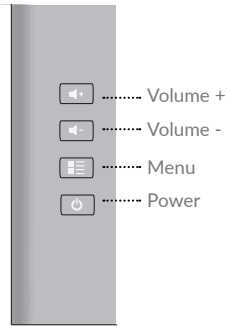


2. Secondary Display



SETTINGS

Monitor Hardware Controls
(Lower right-hand rear of the Monitor)



Use the **Software Settings Panel** to adjust the video inputs, microphone, sound performance, and the network connection. (Note: Hardware Controls are available on rear of the Monitor as shown.)

Opening the Software Setting Panel:

- With **ZOOM ROOMS** active, touch the Primary Monitor anywhere on the desktop to bring up the navigation tabs along the bottom of the screen.
- Touch the 'SETTINGS' tab to bring up the Settings Panel.

For optimal conferencing performance, connect to your Local Area Network (LAN) using an Ethernet cable. Connect the cable as shown in the Hardware section of this manual. With the cable connected, no other action should be necessary (Note: Cable not supplied). Alternatively, if an Ethernet connection is not an option, connect to the Internet using a Wi-Fi connection and the Antennae.

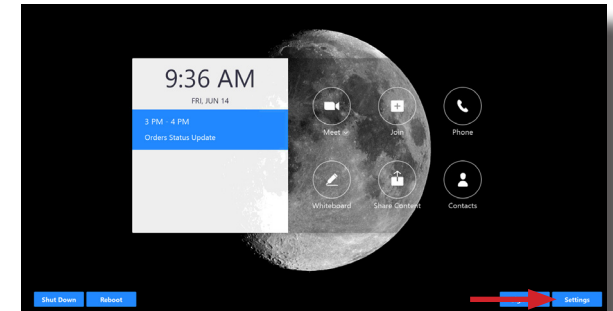
Connecting to a WiFi network: (Version 4.4 or earlier)

1. With **ZOOM ROOMS** active, touch the Monitor anywhere on the desktop to bring up the navigation tabs along the bottom of the screen.
2. Click: 'Settings' > 'Network'.
3. In the Network Tab, Click: 'Exit **ZOOM ROOMS**' to bring up the PC login screen.
4. Use the **ZOOM ROOMS** Admin Account sign-in to **Windows**. (Contact **Support to receive your Password at: support@dten.com**)
5. In **Windows**: Click: 'Start' > 'Settings' > 'Network & wireless' > 'Wi-Fi'.
6. Select your network and enter a password as directed. (Contact your IT Dept. for details.)
7. Return to **ZOOM ROOMS**.

CONNECTING TO A NETWORK

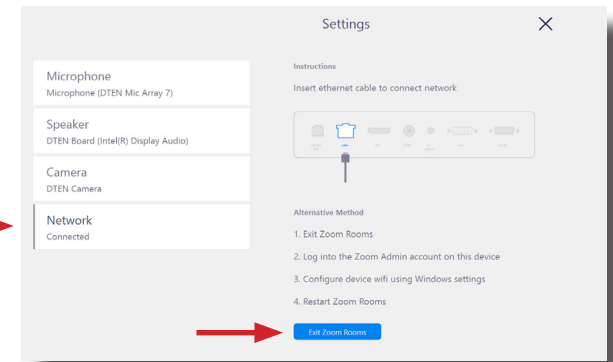
1.

Touch the desktop to bring up the navigation tabs.



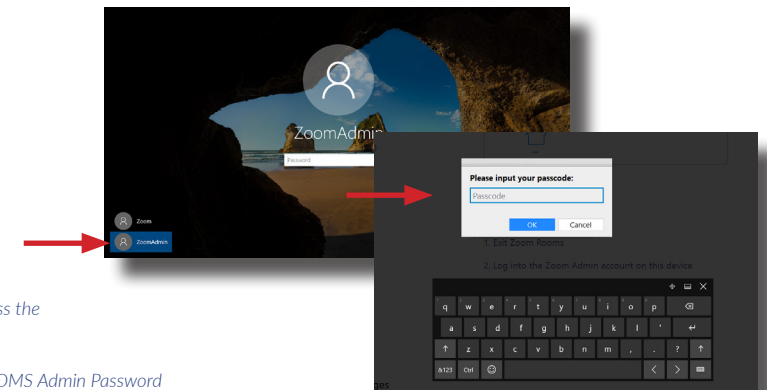
2.

D7 Wifi/Network Configuration
(Version 4.4 or earlier)



3.

4.



In Windows access the ZoomAdmin

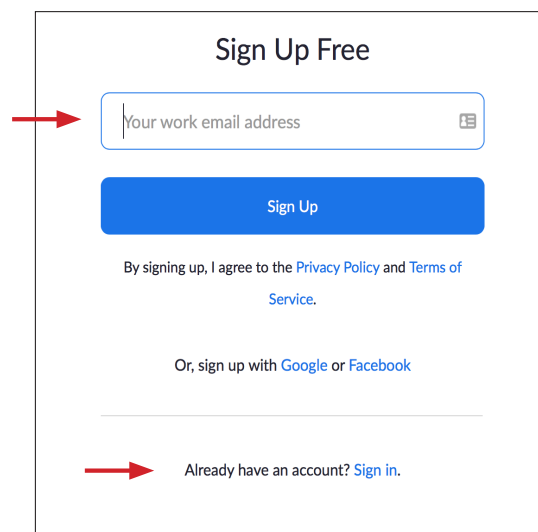
Enter ZOOM ROOMS Admin Password

(Contact Support to receive your Password at: support@dten.com)

Users new to **ZOOM** ROOMS should first open a “Free Account” at: <https://www.zoom.us/signup> before upgrading to an appropriate **ZOOM** ROOMS Plan as they require. Existing Users may simply sign in.

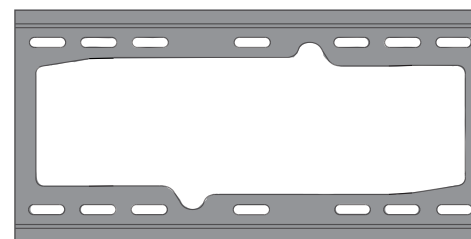
To set up an account, or to sign in to **ZOOM** ROOMS, follow these steps:

1. Create a free account at: <https://zoom.us/signup>
2. Or sign into an existing account at: <https://zoom.us>
3. Click: Account Management > Billing.
4. In the Current Plan tab, click: ‘Upgrade Account’.
5. Upgrade as your use demands.



DTEN D7 monitors ship with wall mounting brackets, mounting clips, plugs, and screws. The brackets should be wall mounted in an appropriate location and the clips attached to the back of the monitors as shown in the following pages.

The plugs and screws supplied are intended for use on masonry surfaces. On drywall, it will be necessary to obtain cabinet grade mounting screws of an appropriate size. And in some cases, it may be necessary to use a backing board to ensure a structurally secure installation in locations where there are no conveniently placed studs or the wall surface is uneven or damaged.



Wall Bracket



Mounting Clip

IMPORTANT

The Monitor must be mounted safely and securely. Mounting and installation should only be performed by experienced or professional personnel.

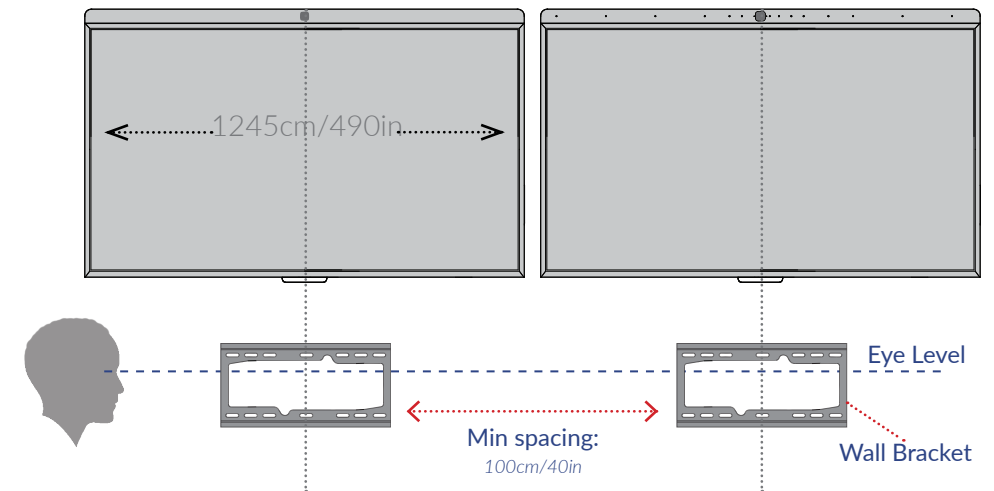


FAILURE TO PERFORM THIS WORK CORRECTLY MAY RESULT IN BODILY HARM TO USERS OR DAMAGE TO THE EQUIPMENT.

- ⚠ Pay special attention to the type of wall construction.
- ⚠ Only use walls or surfaces capable of accepting the weight of the monitor.
- ⚠ On concrete or block/brick walls, mount the brackets with the masonry screws and plugs supplied, (M6) using a 13mm masonry drill.
- ⚠ Each mounting bracket must be secured with at least four mounting screws.
- ⚠ With Stud/Drywall construction, each bracket must be attached to at least two studs with two cabinet grade mounting screws into each stud. Make sure to center screws on studs; failure to do so may be dangerous.
- ⚠ If studs are not conveniently located or if the wall is unsuitable in some other way, it may be necessary to first mount a backing board of at least 3/4 inch or 18mm high grade plywood. Attach the backing board firmly, then use at least eight suitable wood screws or bolts to attach each bracket to the backing board.

You will need:

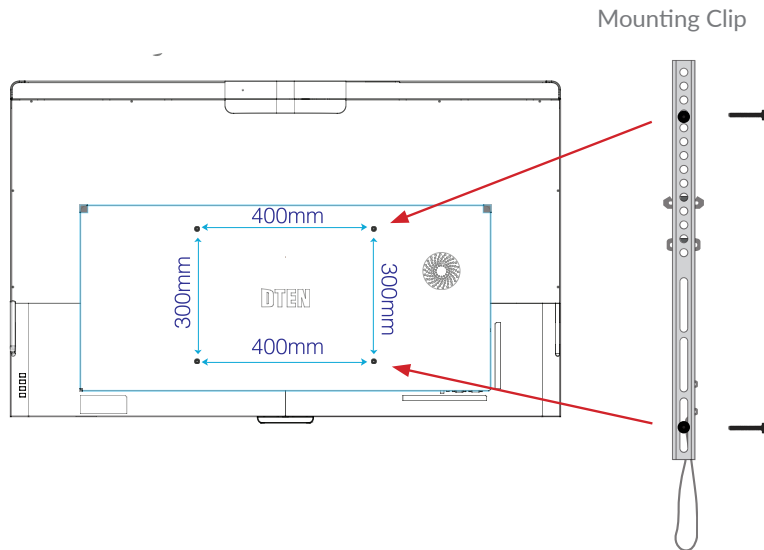
- Power Drill with wood or masonry bits
- Screwdrivers
- Level, Tape Measure
- Stud Finder (for drywall construction)



Before proceeding, ascertain the type of wall construction in the chosen location. Attach the Mounting Bracket with regard to the 'Safety Notes' opposite. The top of the Wall Bracket should be at approximately eye level when standing. Use a level to align and straighten the mounting bracket before using at least four screws to attach the bracket to the wall surface. For masonry walls, use the screws and plugs supplied. For stud construction, use cabinet grade mounting screws directly into the studs.

ATTACH CLIPS TO MONITOR

Attaching the Mounting Clips to the Monitors

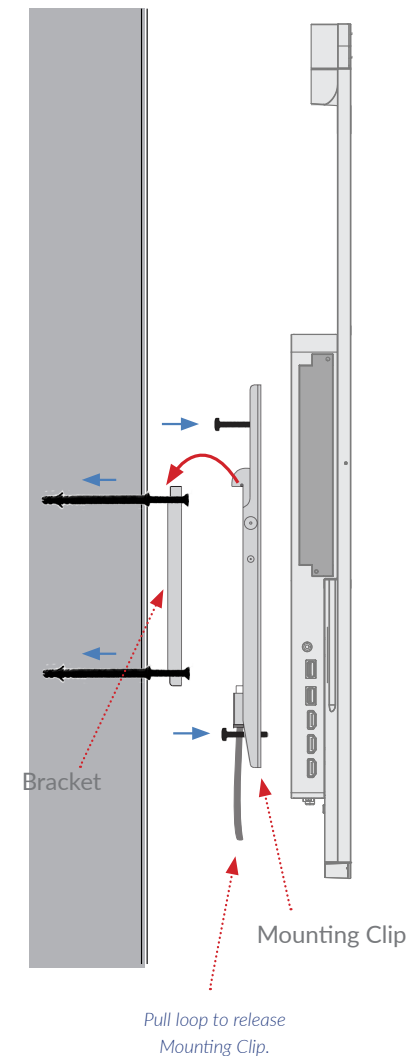


DTEN D7 Monitors use a standard TV (Vesa 400x300) mounting pattern on the 55" models. (75" monitors use a Vesa 400x800 pattern.)

Use the 8mm Screws (supplied) to attach the Mounting Clips to the back of the monitor as shown.

With the Wall Bracket securely attached to the wall surface, and the Mounting Clip secured to the rear of the Monitor, lift the Monitor into place and hang it on the Wall Bracket as shown opposite. Pull the release loop at the base of the Mounting Clip while snapping the base of the clip into place on the Wall Bracket.

HANG MONITOR ONTO WALL BRACKET



Pull loop to release
Mounting Clip.

Once mounted the clearance between the back of the monitor and wall is 3/4in (89mm)

RACK MOUNTING:

Mobile racks or AV stands/carts allow for conference room equipment to be both mobile and unobtrusive when necessary.

We offer the Heckler AV mobile stand, as a convenient alternative to wall mounting. For setup and assembly information, please see the instructions supplied with the equipment.

For more information or to place an order, go to:

<https://shop.dten.com/d7-mobile-stand-25>

and

<https://hecklerdesign.com/dual-display-kit-for-heckler-av-cart/>



Heckler Display Cart with dual screen adapters

TECHNICAL SPECIFICATIONS

Screen Size	55" (140cm) Diagonal
Resolution	4K (3840x2160 px)
Ratio	16:9
Touch Technology	Capacitive
Wi-Fi Connectivity	802.11/AC dual-antenna MIMO Wi-Fi
Input Method	Touch, Stylus
Touch points	Multi-touch
Integrated Speakers	Stereo
Video	Fixed Lens infinite focus. 4K
Microphones	16x Microphone Array
Dimensions	49x30.5x2.13 in (125x76x5.4 cm)
Weight	50.7lb (23Kg)
Ports	HDMI (input + output) x2 VGA D-Sub (input) x1 PC Audio (input) x1 LAN RJ45 x1 RS 232 (Control) x1 USB 2.0 x2 Touch USB x1 PC Board USB Input x6 Audio Output Earphone Port x1 Coaxial Digital Audio Output x1
Power	AC 100v-240v. 50/60Hz
Certifications	CE CCC ROHS

PRODUCT TOXIC or HAZARDOUS SUBSTANCES STATEMENT

Toxic or Hazardous Substance	(Pb)	(Hg)	(Cd)	(Cr?)	PBB	PBDE
Displays	X	○	○	○	○	○
Housing	○	○	○	○	○	○
PBCA*	X	○	○	○	○	○
Power Cords and Cables	X	○	○	○	○	○
Metal Parts	○	○	○	○	○	○
Packing Materials	○	○	○	○	○	○
Speaker	X	○	○	○	○	○
Accessories	○	○	○	○	○	○

This table has been prepared in accordance with SJ/T11364.

* = PCBA includes the PCB and its electronic components. Packaging materials include the carton, EPS, etc. Other accessories include the User Manual, etc.

○ =The content of such toxic/hazardous substances in all homogeneous materials of such component falls within the content limited in GB/T26572-2011.

X = the content of such toxic/hazardous substances in one or more homogeneous materials of such component goes beyond the content specified in GB/T26572-2011.

The above table is prepared based on the data provided by our suppliers for each type of material and is verified by us; the product contains hazardous substances. The hazardous substances contained in some materials are irreplaceable at the current technological level although we are improving wherever possible.

The environmentally friendly life of the product is 10 years when used in accordance with this manual. Dispose of and recycle this product in accordance with local regulations.

This equipment is a Class-A product and may produce radio interference in the environment.