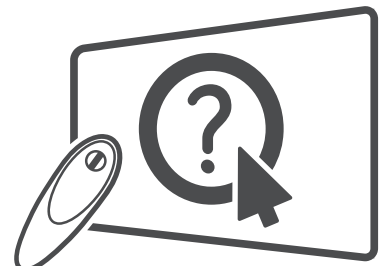




# OWNER'S MANUAL

## LED TV\*

\* LG LED TV applies LCD screen with LED backlights.



Click! User Guide

Please read this manual carefully before operating your TV and retain it for future reference.

49UB8500  
55UB8500  
60UB8500

65UB9300

55UB9500  
65UB9500

65UC9700



\* M F L 6 7 9 8 7 2 8 2 \*

[www.lg.com](http://www.lg.com)


P/NO : MFL67987282 (1404-REV00)


## IMPORTANT SAFETY INSTRUCTIONS

Always comply with the following precautions to avoid dangerous situations and ensure peak performance of your product.



TO REDUCE THE RISK OF ELECTRIC SHOCK DO NOT REMOVE COVER (OR BACK). NO USER SERVICEABLE PARTS INSIDE. REFER TO QUALIFIED SERVICE PERSONNEL.

 The lightning flash with arrowhead symbol, within an equilateral triangle, is intended to alert the user to the presence of uninsulated dangerous voltage within the product's enclosure that may be of sufficient magnitude to constitute a risk of electric shock to persons.

 The exclamation point within an equilateral triangle is intended to alert the user to the presence of important operating and maintenance (servicing) instructions in the literature accompanying the appliance.

### WARNING/CAUTION

- TO REDUCE THE RISK OF FIRE AND ELECTRIC SHOCK, DO NOT EXPOSE THIS PRODUCT TO RAIN OR MOISTURE.

### WARNING

If you ignore the warning message, you may be seriously injured or there is a possibility of accident or death.

### CAUTION

If you ignore the caution message, you may be slightly injured or the product may be damaged.

### NOTE

The note helps you understand and use the product safely. Please read the note carefully before using the product.

Read these instructions.  
Keep these instructions.  
Follow all instructions.  
Heed all warnings.



- Do not allow the television to become wet.



- Clean only with a dry cloth.



- Do not block any ventilation openings. Install in accordance with the manufacturer's instructions.



- Do not install near any heat sources such as radiators, heat registers, stoves, or other apparatus (including amplifiers) that produce heat.



- Do not defeat the safety purpose of the polarized or grounding-type plug. A polarized plug has two blades with one wider than the other. A grounding type plug has two blades and a third grounding prong. The wide blade or the third prong are provided for your safety. If the provided plug does not fit into your outlet, consult an electrician for replacement of the obsolete outlet (Can differ by country).



- Do not press strongly upon the panel with a hand or a sharp object such as a nail, pencil or pen, or make a scratch on it.



**WARNING:** This product contains chemicals known to the State of California to cause cancer and birth defects or other reproductive harm. *Wash hands after handling.*

- Protect the power cord from being walked on or pinched particularly at plugs, convenience receptacles, and the point where they exit from the apparatus.



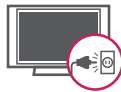
- Only use attachments/accessories specified by the manufacturer.



- Use only with a cart, stand, tripod, bracket, or table specified by the manufacturer, or sold with the apparatus. When a cart is used, use caution when moving the cart/apparatus combination to avoid injury from tip-over.



- Unplug this apparatus during lightning storms or when unused for long periods of time.



- Refer all servicing to qualified service personnel. Servicing is required when the apparatus has been damaged in any way, such as power-supply cord or plug is damaged, liquid has been spilled or objects have fallen into the apparatus, the apparatus has been exposed to rain or moisture, does not operate normally, or has been dropped.



- Do not stick metal objects or any other conductive material into the power cord. Do not touch the end of the power cord while it is plugged in.
- Keep the packing anti-moisture material or vinyl packing out of the reach of children. Anti-moisture material is harmful if swallowed. If swallowed by mistake, induce vomiting and go to the nearest hospital. Additionally, vinyl packing can cause suffocation. Keep it out of the reach of children.

- **CAUTION** concerning the Power Cord (Can differ by country):  
It is recommended that appliances be placed upon a dedicated circuit; that is, a single outlet circuit which powers only that appliance and has no additional outlets or branch circuits. Check the specification page of this owner's manual to be certain. Do not connect too many appliances to the same AC power outlet as this could result in fire or electric shock. Do not overload wall outlets. Overloaded wall outlets, loose or damaged wall outlets, extension cords, frayed power cords, or damaged or cracked wire insulation are dangerous. Any of these conditions could result in electric shock or fire. Periodically examine the cord of your appliance, and if its appearance indicates damage or deterioration, unplug it, discontinue use of the appliance, and have the cord replaced with an exact replacement part by an authorized service. Protect the power cord from physical or mechanical abuse, such as being twisted, kinked, pinched, closed in a door, or walked upon. Pay particular attention to plugs, wall outlets, and the point where the cord exits the appliance. Do not move the TV with the power cord plugged in. Do not use a damaged or loose power cord. Be sure do grasp the plug when unplugging the power cord. Do not pull on the power cord to unplug the TV.



- **Warning** - To reduce the risk of fire or electrical shock, do not expose this product to rain, moisture or other liquids. Do not touch the TV with wet hands. Do not install this product near flammable objects such as gasoline or candles, or expose the TV to direct air conditioning.

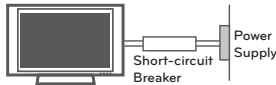


- Do not expose to dripping or splashing and do not place objects filled with liquids, such as vases, cups, etc. on or over the apparatus (e.g. on shelves above the unit).



### • Grounding

(Except for devices which are not grounded.) Ensure that you connect the earth ground wire to prevent possible electric shock (i.e. a TV with a three-prong grounded AC plug must be connected to a three-prong grounded AC outlet). If grounding methods are not possible, have a qualified electrician install a separate circuit breaker. Do not try to ground the unit by connecting it to telephone wires, lightning rods, or gas pipes.



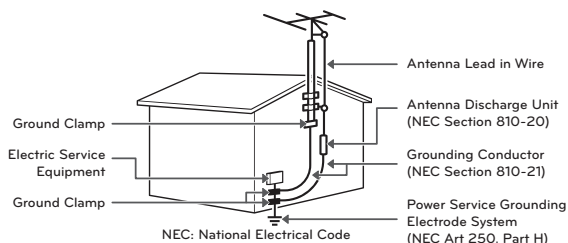
- As long as this unit is connected to the AC wall outlet, it is not disconnected from the AC power source even if the unit is turned off.
- Do not attempt to modify this product in any way without written authorization from LG Electronics. Unauthorized modification could void the user's authority to operate this product.

### • Outdoor Antenna Grounding

(Can differ by country):

If an outdoor antenna is installed, follow the precautions below. An outdoor antenna system should not be located in the vicinity of overhead power lines or other electric light or power circuits, or where it can come in contact with such power lines or circuits as death or serious injury can occur. Be sure the antenna system is grounded so as to provide some protection against voltage surges and built-up static charges. Section 810 of the National Electrical Code (NEC) in the U.S.A. provides information with respect to proper grounding of the mast and supporting structure, grounding of the lead-in wire to an antenna discharge unit, size of grounding conductors, location of antenna discharge unit, connection to grounding electrodes and requirements for the grounding electrode.

#### Antenna grounding according to the National Electrical Code, ANSI/NFPA 70



### • Cleaning

When cleaning, unplug the power cord and wipe gently with a soft cloth to prevent scratching. Do not spray water or other liquids directly on the TV as electric shock may occur. Do not clean with chemicals such as alcohol, thinners, or benzene.

### • Moving

Make sure the product is turned off, unplugged, and all cables have been removed. It may take 2 or more people to carry larger TVs. Do not press or put stress on the front panel of the TV.

### • Ventilation

Install your TV where there is proper ventilation. Do not install in a confined space such as a bookcase. Do not cover the product with cloth or other materials while plugged. Do not install in excessively dusty places.

- If you smell smoke or other odors coming from the TV, unplug the power cord and contact an authorized service center.
- Keep the product away from direct sunlight.
- Never touch this apparatus or antenna during a lightning storm.
- When mounting a TV on the wall, make sure not to install the TV by hanging the power and signal cables on the back of the TV.
- Do not allow an impact shock, any objects to fall into the product, and do not drop anything onto the screen.
- **DISCONNECTING DEVICE FROM THE MAIN POWER**  
Mains plug is the disconnecting device. The plug must remain readily operable.
- Store the accessories (battery, etc.) in a safe location out of the reach of children.
- This apparatus uses batteries. In your community there might be regulations that require you to dispose of these batteries properly due to environmental considerations. Please contact your local authorities for disposal or recycling information.
- Do not dispose of batteries in a fire.
- Do not short circuit, disassemble, or allow the batteries to overheat.

- **Dot Defect**

The panel is a high technology product with resolution of two million to six million pixels. In a very few cases, you could see fine dots on the screen while you're viewing the TV. Those dots are deactivated pixels and do not affect the performance and reliability of the TV.

- **Generated Sound**

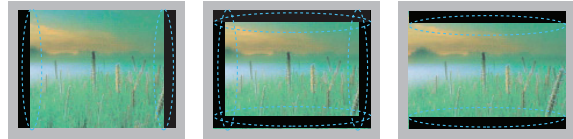
**Cracking noise** A cracking noise that occurs when watching or turning off the TV is generated by plastic thermal contraction due to temperature and humidity. This noise is common for products where thermal deformation is required.

**Electrical circuit humming/panel buzzing**

A low level noise is generated from a high-speed switching circuit, which supplies a large amount of current to operate a product. It varies depending upon the product. This generated sound does not affect the performance and reliability of the product.

- Take care not to touch the ventilation openings. When watching the TV for a long period, the ventilation openings may become hot. This does not affect the performance of the product or cause defects in the product.
- Do not install this product on a wall if it could be exposed to oil or oil mist. This may damage the product and cause it to fall.
- If the TV feels cold to the touch, there may be a small flicker when it is turned on. This is normal; there is nothing wrong with TV. Some minute dot defects may be visible on the screen, appearing as tiny red, green, or blue spots. However, they have no adverse effect on the TV's performance. Avoid touching the LCD screen or holding your finger(s) against it for long periods of time. Doing so may produce some temporary distortion effects on the screen.

### Preventing image burn or burn-in on your TV screen



- If a fixed image displays on the TV screen for a long period of time, it will be imprinted and become a permanent disfigurement on the screen. This is image burn or burn-in and not covered by the warranty.
- If the aspect ratio of the TV is set to 4:3 for a long period of time, image burn may occur on the letterboxed area of the screen.
- Avoid displaying a fixed image on the TV screen for a long period of time (2 or more hours for LCD, 1 or more hours for the Plasma TV) to prevent image burn.

**For USA and Canada****FCC NOTICE**

This equipment has been tested and found to comply with the limits for a Class B digital device, pursuant to Part 15 of the FCC Rules. These limits are designed to provide reasonable protection against harmful interference in a residential installation. This equipment generates, uses and can radiate radio frequency energy and, if not installed and used in accordance with the instructions, may cause harmful interference to radio communications. However, there is no guarantee that interference will not occur in a particular installation. If this equipment does cause harmful interference to radio or television reception, which can be determined by turning the equipment off and on, the user is encouraged to try to correct the interference by one or more of the following measures:

- Reorient or relocate the receiving antenna.
- Increase the separation between the equipment and the receiver.
- Connect the equipment to an outlet on a circuit different from that to which the receiver is connected.
- Consult the dealer or an experienced radio/TV technician for help.

This device complies with part 15 of the FCC Rules. Operation is subject to the following two conditions: (1) this device may not cause harmful interference and (2) this device must accept any interference received, including interference that may cause undesired operation of the device. Any changes or modifications in construction of this device which are not expressly approved by the party responsible for compliance could void the user's authority to operate the equipment.

**NOTE TO CABLE/TV INSTALLER**

This reminder is provided to call the CATV system installer's attention to Article 820-40 of the National Electric Code (U.S.A.). The code provides guidelines for proper grounding and, in particular, specifies that the cable ground shall be connected to the grounding system of the building, as close to the point of the cable entry as practical.

## Viewing 3D imaging (For 3D models)

### WARNING

#### Viewing Environment

- Viewing Time
  - When watching 3D content, take 5 to 15 minute breaks every hour. Viewing 3D content for a long period of time may cause headache, dizziness, fatigue or eye strain.

#### Those that have a photosensitive seizure or chronic illness

- Some users may experience a seizure or other abnormal symptoms when they are exposed to a flashing light or particular pattern from 3D content.
- Do not watch 3D videos if you feel nauseous, are pregnant and / or have a chronic illness such as epilepsy, cardiac disorder, or blood pressure disease, etc.
- 3D Content is not recommended for those who suffer from stereo blindness or stereo anomaly. Double images or discomfort in viewing may be experienced.
- If you have strabismus (cross-eyed), amblyopia (weak eyesight), or astigmatism, you may have trouble sensing depth and easily feel fatigue due to double images. It is advised to take more frequent breaks than the average adult.
- If your eyesight varies between your right and left eye, revise your eyesight prior to watching 3D content.

#### Symptoms which require discontinuation or refraining from watching 3D content

- Do not watch 3D content when you feel fatigue from lack of sleep, overwork, or intoxication.
- When these symptoms are experienced, stop using/watching 3D content and get enough rest until the symptom subsides.
  - Consult your doctor when the symptoms persist. Symptoms may include headache, eyeball pain, dizziness, nausea, palpitation, blurriness, discomfort, double image, define visual inconvenience, or fatigue.

 **CAUTION****Viewing Environment**

- Viewing Distance
  - Maintain a distance of at least twice the screen's diagonal length when watching 3D content. If you feel discomfort in viewing 3D content, move further away from the TV.

**Viewing Age**

- Infants / Children
  - Usage/ Viewing 3D content for children under the age of 5 are prohibited.
  - Children under the age of 10 may overreact and become overly excited because their vision is in development (for example: trying to touch the screen or trying to jump into it. Special monitoring and extra attention is required for children watching 3D content.
  - Children have greater binocular disparity of 3D presentations than adults because the distance between the eyes is shorter than one of adults. Therefore they will perceive more stereoscopic depth compared to adults for the same 3D image.
- Teenagers
  - Teenagers under the age of 19 may be stimulated to light coming from 3D videos. Advise them not to watch 3D videos for a long time when they are tired.
- Elderly
  - The elderly may perceive less of a 3D effect than the youth. Do not sit closer to the TV than the recommended distance.

**Cautions when using the 3D glasses**

- Only use LG 3D glasses. Otherwise, you may not be able to view 3D videos properly.
- Do not use 3D glasses instead of your normal glasses, sunglasses, or protective goggles.
- Using modified 3D glasses may cause eye strain or image distortion.
- Do not keep your 3D glasses in extremely high or low temperatures. It will cause deformation.
- The 3D glasses are fragile and are easily scratched. Use a soft, clean piece of cloth when wiping the lenses. Do not scratch the lenses of the 3D glasses with sharp objects or clean/wipe them with chemicals.

## LICENSES

Supported licenses may differ by model. For more information about licenses, visit [www.lg.com](http://www.lg.com).



## OPEN SOURCE SOFTWARE NOTICE

To obtain the source code under GPL, LGPL, MPL and other open source licenses, that is contained in this product, please visit <http://opensource.lge.com>. In addition to the source code, all referred license terms, warranty disclaimers and copyright notices are available for download.

LG Electronics will also provide open source code to you on CD-ROM for a charge covering the cost of performing such distribution (such as the cost of media, shipping and handling) upon email request to [opensource@lge.com](mailto:opensource@lge.com). This offer is valid for three (3) years from the date on which you purchased the product.

ENGLISH

### ! NOTE

- Image shown may differ from your TV.
- Your TV's OSD (On Screen Display) may differ slightly from that shown in this manual.
- The available menus and options may differ from the input source or product model that you are using.
- New features may be added to this TV in the future.

# TABLE OF CONTENTS

---

## 2 IMPORTANT SAFETY INSTRUCTIONS

---

7 Viewing 3D imaging (For 3D models)

---

## 9 LICENSES

---

---

## 9 OPEN SOURCE SOFTWARE NOTICE

---

---

## 10 TABLE OF CONTENTS

---

---

## 11 INSTALLATION PROCEDURE

---

---

## 11 ASSEMBLING AND PREPARING

---

- 11 Unpacking
- 13 Optional Extras
- 14 Parts and Buttons
  - 15 - Using the Joystick Button
- 16 Lifting and Moving the TV
- 17 Setting Up the TV
  - 17 - Attaching the Stand
  - 19 - Mounting on a Table
  - 20 - Mounting on a Wall
  - 21 - Tidying Cables

---

## 22 MAKING CONNECTIONS

---

- 22 Connecting to an Antenna or Cable
- 23 Connecting to an HD receiver, DVD player, or VCR
  - 23 - HDMI Connection
  - 24 - DVI to HDMI Connection
  - 25 - Connecting to a Mobile Phone
  - 26 - Component Connection
  - 27 - Composite Connection
- 28 Connecting to a PC
  - 28 - HDMI Connection or DVI to HDMI Connection
- 30 Connecting to an Audio System
  - 30 - Digital Optical Audio Connection
- 31 Connecting Headphones
- 32 Connecting a USB device

---

## 33 MAGIC REMOTE FUNCTIONS

---

- 34 Registering Magic Remote
- 34 How to use Magic Remote
- 34 Precautions to Take when Using the Magic Remote

---

## 35 USING THE USER GUIDE

---

---

## 35 EXTERNAL CONTROL DEVICE SETUP

---

---

## 36 SPECIFICATIONS

---

---

## 38 MAINTENANCE

---

- 38 Cleaning your TV
  - 38 - Screen, Frame, Cabinet, and Stand
  - 38 - Power Cord

---

## 38 TROUBLESHOOTING

---

## INSTALLATION PROCEDURE

- 1 Open the package and make sure all the accessories are included.
  - 2 Attach the stand to the TV set.
  - 3 Connect an external device to the TV set.
  - 4 Make sure the network connection is available.  
You can use the TV network functions only when the network connection is made.
- \* When the TV is turned on for the first time after being shipped from the factory, initialization of the TV may take up to one minute.

## ASSEMBLING AND PREPARING

### Unpacking

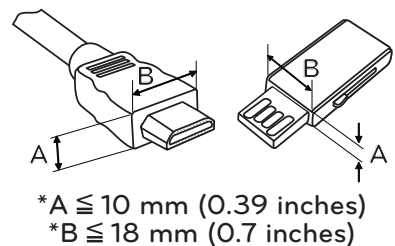
Check your product box for the following items. If there are any missing accessories, contact the local dealer where you purchased your product. The illustrations in this manual may differ from the actual product and item.

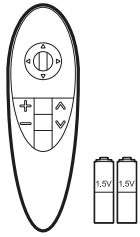
#### CAUTION

- Do not use any unapproved items to ensure the safety and product's lifespan.
- Any damages or injuries by using unapproved items are not covered by the warranty.
- Some models appear to have a thin film on the screen. It is actually part of the screen; do not remove it.

#### NOTE

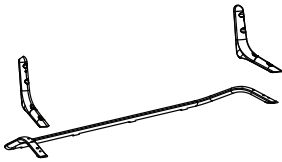
- The items supplied with your product may vary depending upon the model.
- Product specifications or contents of this manual may be changed without prior notice due to upgrade of product functions.
- For an optimal connection, HDMI cables and USB devices should have bezels less than 10 mm (0.39 inches) thick and 18 mm (0.7 inches) width.
- Use an extension cable that supports USB 2.0 if the USB cable or USB flash drive does not fit into your TV's USB port.





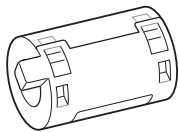
**Magic Remote, Batteries (AA)**  
(See page 33.)

(For 49/55/60UB8500, 65UB9300, 55/65UB9500)



**Stand Base, Stand Body**  
(See page 17.)

(For 49/55/60UB8500)



**Ferrite core**  
(See page 13.)



**Cable Holder**  
(See page 21.)



**Tag On**  
(Depending upon model.)

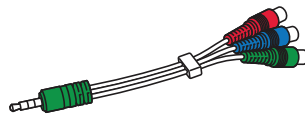


**Owner's Manual**

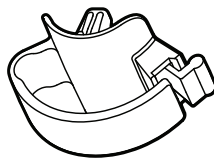
(For 49/55/60UB8500, 65UB9300, 55/65UB9500)



**Stand Screws**  
8 EA, M4 x L20  
(See pages 17 and 18.)



**Component Video Cable**  
(See page 26.)



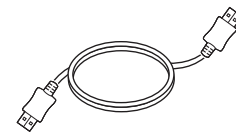
**Cable Management**  
2 EA  
(Depending upon model.)  
(See page 21.)



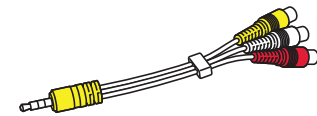
**Cinema 3D Glasses**  
The number of 3D glasses may differ depending upon the model or country.  
(Depending upon model.)



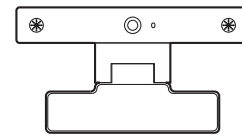
**Power Cord**  
(Depending upon model.)



**HDMI cable**  
(See pages 23 and 28.)



**Composite Video Cable**  
(See pages 26 and 27.)



**Video call camera**  
(Depending upon model.)

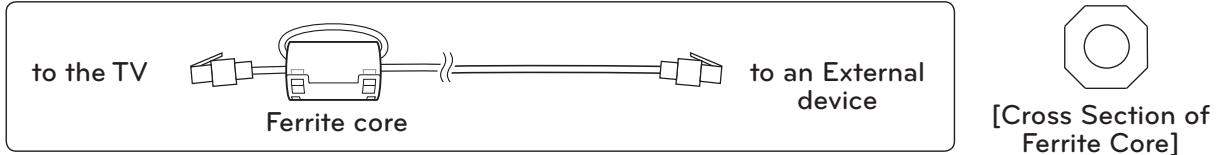


**Dual play glasses**  
(Depending upon model.)

**NOTE**

(For 49/55/60UB8500)

- How to use the ferrite core (Depending upon model.)
- Use the ferrite core to reduce the electromagnetic interference in the LAN cable. Wind the LAN cable once on the ferrite core. Place the ferrite core close to the TV.



### Optional Extras

Optional extras can be changed or modified for quality improvement without any notification. Contact your dealer for buying these items. These devices only work with certain models. The model name or design may be changed due to the manufacturer's circumstances or policies.

**AG-F\*\*\***  
Cinema 3D Glasses

**AG-F\*\*\*DP**  
Dual Play Glasses

**AN-MR500**  
Magic Remote

**Tag On**

**LG Audio Device**

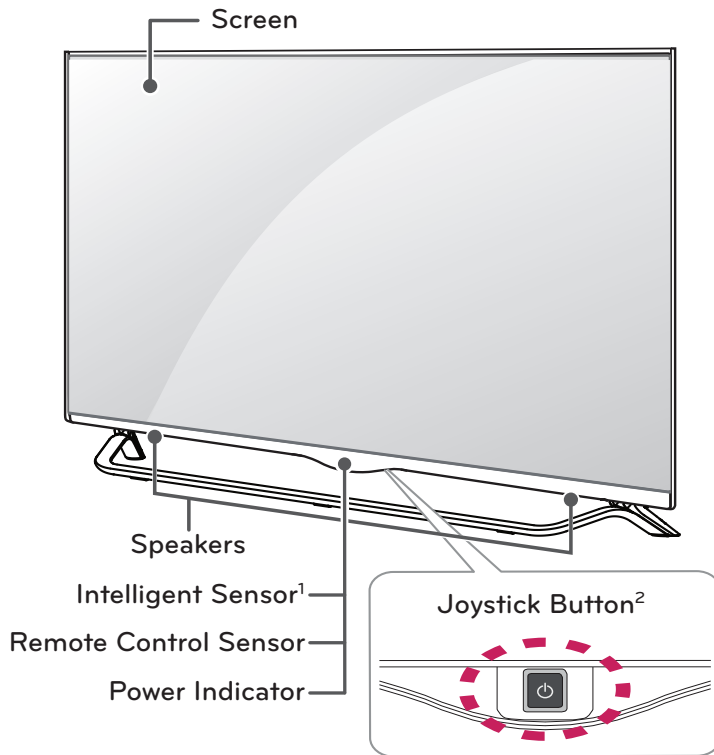
**AN-VC5\*\***  
Video Call Camera  
(Depending upon model.)

ENGLISH

Compatibility	49/55/60UB8500 55/65UB9500 65UC9700	65UB9300
AG-F*** Cinema 3D glasses	●	
AG-F***DP Dual Play Glasses	●	
AN-MR500 Magic remote	●	●
Tag On	●	●
LG Audio device	●	●
AN-VC5** Video Call Camera (Depending upon model.)	●	●

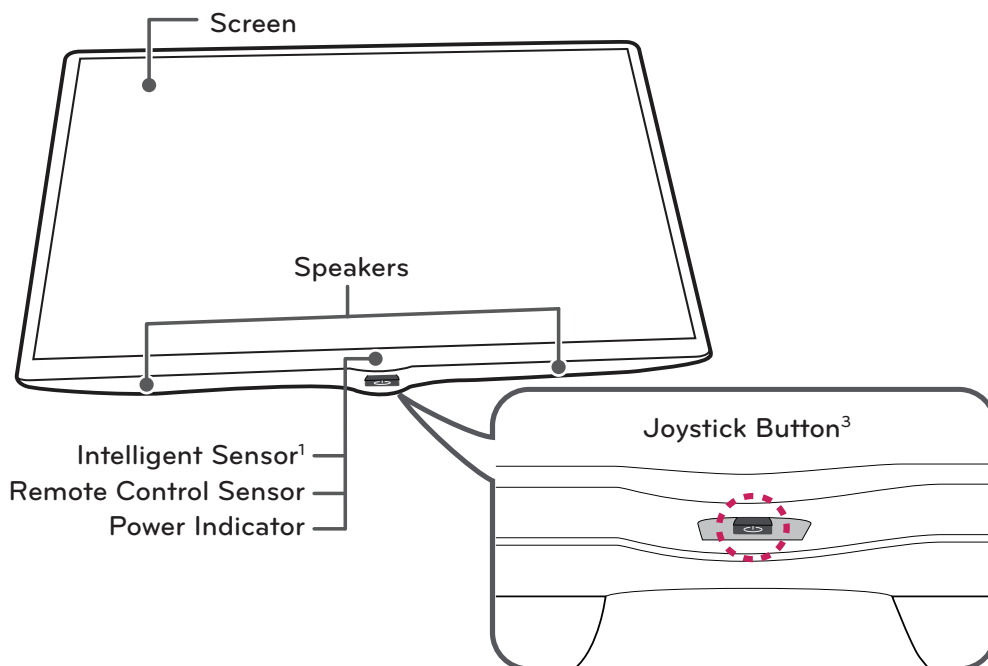
## Parts and Buttons

(For 49/55/60UB8500)



ENGLISH

(For 65UB9300, 55/65UB9500, 65UC9700)


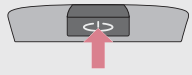

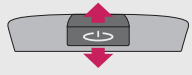


1. Intelligent sensor - Adjusts the image quality and brightness based on the surrounding environment.
2. Joystick button is located behind the screen of TV.
3. Joystick button is located below the screen of TV.

## Using the Joystick Button

You can operate the TV by pressing the button or moving the joystick left, right, up, or down.

### Basic functions

	<b>Power On</b>	When the TV is turned off, place your finger on the joystick button, press it once and release it.
	<b>Power Off</b>	When the TV is turned on, place your finger on the joystick button, press it once for a few seconds and release it.
	<b>Volume Control</b>	If you place your finger over the joystick button, move it left or right, you can adjust the volume level you want.
	<b>Channels Control</b>	If you place your finger over the joystick button, move it up or down, you can scroll through the saved channels you want.





### ! NOTE

- With your finger over the joystick button, move it up, down, left, or right, be careful not to press the joystick button. If you press the joystick button first, you can not adjust the volume level and/or scroll through saved channels.

### Adjusting the menu

When the TV is turned on, press the joystick button one time.

You can adjust the menu items (⏻, ✕, 📶) moving the joystick button left or right.

		<b>TV OFF</b>	Turns the power off.
		<b>CLOSE</b>	Clears on-screen displays and returns to TV viewing.
		<b>INPUT</b>	Changes the input source.

## Lifting and Moving the TV

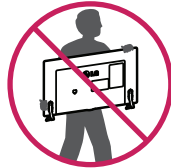
When moving or lifting the TV, read the following to prevent the TV from being scratched or damaged and for safe transportation regardless of its type and size.

### ! CAUTION

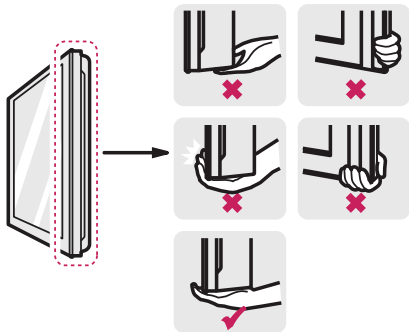
- Avoid touching the screen at all times, as this may result in damage to the screen.
- Do not place the product on the floor with its front facing down without padding. Failure to do so may result in damage to the screen.

- It is recommended to move the TV in the box or packing material that the TV originally came in.
- Before moving or lifting the TV, disconnect the power cord and all cables.

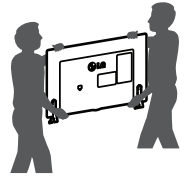
- When holding the TV, the screen should face away from you to avoid damage.



- Hold the top and bottom of the TV frame firmly. Make sure not to hold the transparent part, speaker, or speaker grill area.



- Use at least two people to move a large TV.
- When transporting the TV by hand, hold the TV as shown in the following illustration.



- When transporting the TV, do not expose the TV to jolts or excessive vibration.
- When transporting the TV, keep the TV upright; never turn the TV on its side or tilt towards the left or right.

## Setting Up the TV

You can mount your TV to a wall or attach the stand if you wish to place the TV on an entertainment center or other furniture.

### Attaching the Stand

If you are not mounting the TV to a wall, use the following instructions to attach the stand.

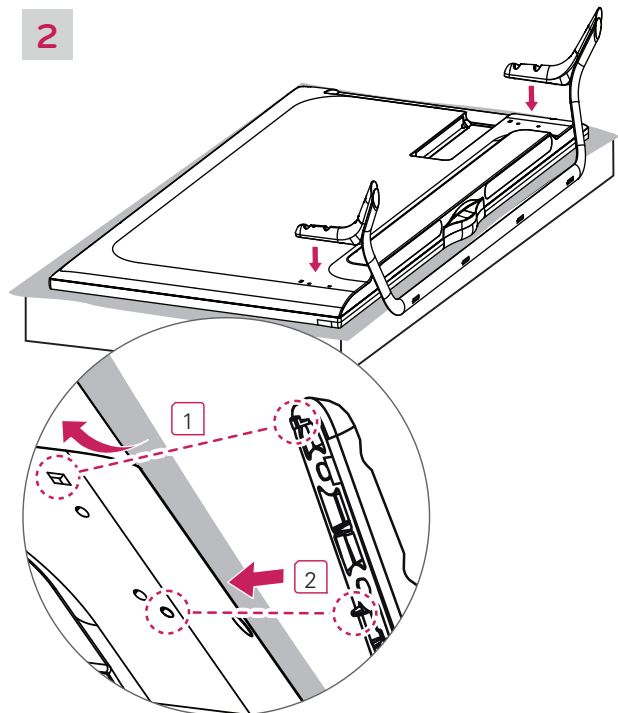
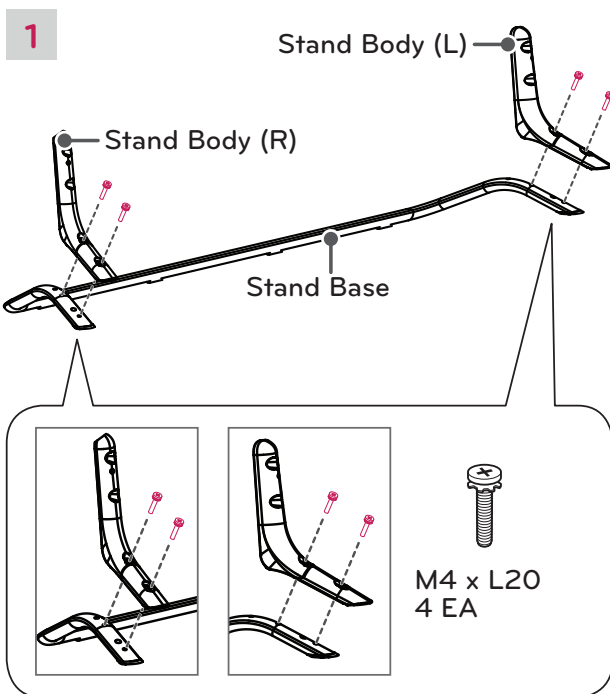
#### ⚠ CAUTION

- When attaching the stand to the TV set, place the screen facing down on a cushioned table or flat surface to protect the screen from scratches.
- Make sure that the screws are fastened tightly. (If they are not fastened securely enough, the TV may tilt forward after being installed.)
- Do not fasten the screws with excessive force otherwise they may be worn out and become loose.

#### ! NOTE

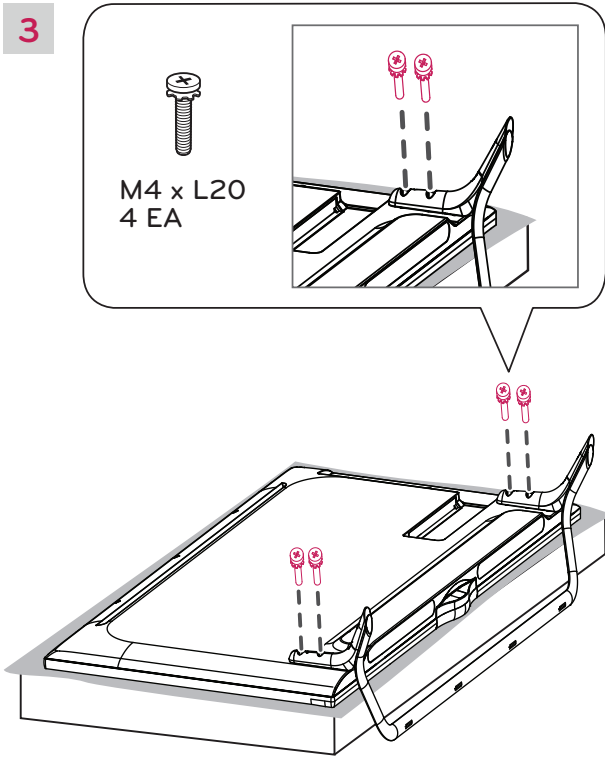
- Remove the stand before installing the TV on a wall mount by performing the stand attachment in reverse.

(For 49/55/60UB8500, 65UB9300, 55/65UB9500)



- 1 Attach the stand to the TV using the upper mounting hole on the back of the TV.
- 2 Attach the stand to the TV using the lower connection on the back of the TV.

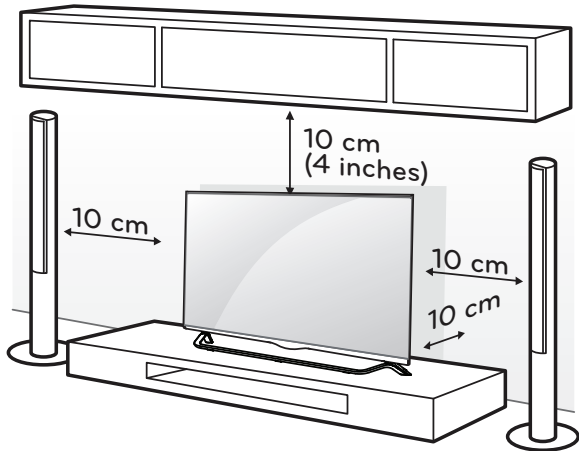
3



ENGLISH

## Mounting on a Table

- Lift and tilt the TV into its upright position on a table.
  - Leave a 10 cm (4 inches) (minimum) space from the wall for proper ventilation.



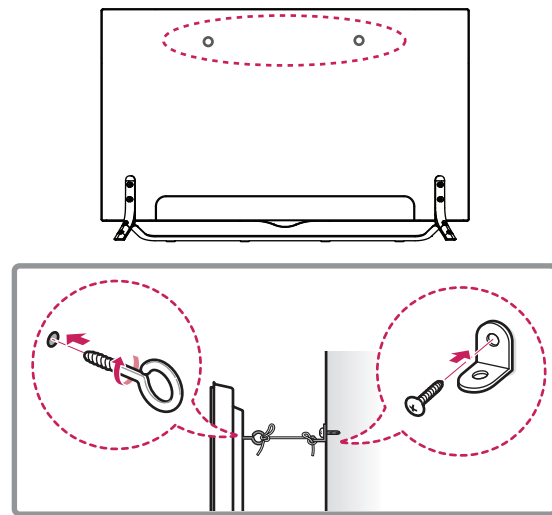
- Connect the power cord to a wall outlet.

### ⚠ CAUTION

- Do not place the TV near or on sources of heat, as this may result in fire or other damage.

## Securing the TV to a wall (optional)

(Depending upon model.)



- Insert and tighten the eye-bolts, or TV brackets and bolts on the back of the TV.
  - If there are bolts inserted at the eye-bolts position, remove the bolts first.
- Mount the wall brackets with the bolts to the wall. Match the location of the wall bracket and the eye-bolts on the rear of the TV.
- Connect the eye-bolts and wall brackets tightly with a sturdy rope or cable. Make sure to keep the rope parallel to the flat surface.

### ⚠ CAUTION

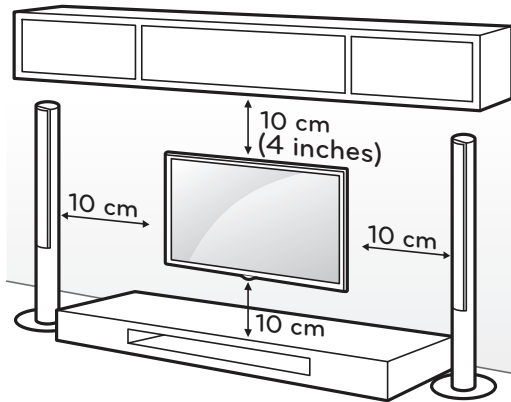
- Make sure that children do not climb on or hang on the TV.

### ! NOTE

- Use a platform or cabinet that is strong and large enough to support the TV securely.
- Brackets, bolts, and ropes are optional. You can obtain additional accessories from your local dealer.

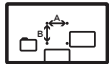
### Mounting on a Wall

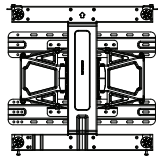
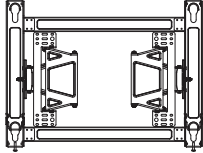
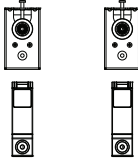
An optional wall mount can be used with your LG Television. Consult with your local dealer for a wall mount that supports the VESA standard used by your TV model. Carefully attach the wall mount bracket at the rear of the TV. Install the wall mount bracket on a solid wall perpendicular to the floor. If you are attaching the TV to other building materials, please contact qualified personnel to install the wall mount. Detailed instructions will be included with the wall mount. We recommend that you use an LG brand wall mount. When you do not use LG's wall mount bracket, please use a wall mount bracket where the device is adequately secured to the wall with enough space to allow connectivity to external devices.



ENGLISH

Make sure to use screws and wall mounts that meet the VESA standard. Standard dimensions for the wall mount kits are described in the following table.

<b>Model</b>	49/55UB8500 55UB9500	60UB8500 65UB9300 65UB9500 65UC9700
<b>VESA (A x B)</b> 	400 x 400	400 x 400
<b>Standard screw</b>	M6	M6
<b>Number of screws</b>	4	4
<b>Wall mount bracket (optional)</b>	LSW440B MSW240	LSW440B

Wall mount bracket (optional)	
LSW440B	
LSW640B	
MSW240	

#### CAUTION

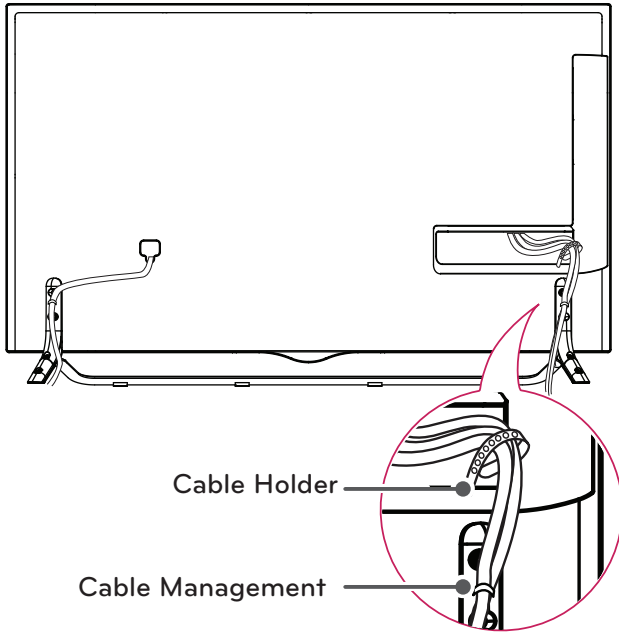
- Disconnect the power before moving or installing the TV. Otherwise electric shock may occur.
- If you install the TV on a ceiling or slanted wall, it may fall and result in severe injury. Use an authorized LG wall mount and contact the local dealer or qualified personnel. When using a third-party wall mount, it is not covered by the warranty.
- Do not over tighten the screws as this may cause damage to the TV and void your warranty.
- Use the screws and wall mounts that meet the VESA standard. Any damages or injuries by misuse or using an improper accessory are not covered by the warranty.

#### NOTE

- Use the screws that are listed in the VESA standard screw specifications.
- The wall mount kit includes an installation manual and necessary parts.
- The wall mount bracket is optional. You can obtain additional accessories from your local dealer.
- The length of screws may differ depending upon the wall mount. Make sure to use the proper length.
- For more information, refer to the manual supplied with the wall mount.

## Tidying Cables

- 1 Gather and bind the cables with the Cable Holder and Cable Management.



### CAUTION

- Do not move the TV by holding the cable holder and cable management, as the cable holders may break, and injuries and damage to the TV may occur.

## MAKING CONNECTIONS

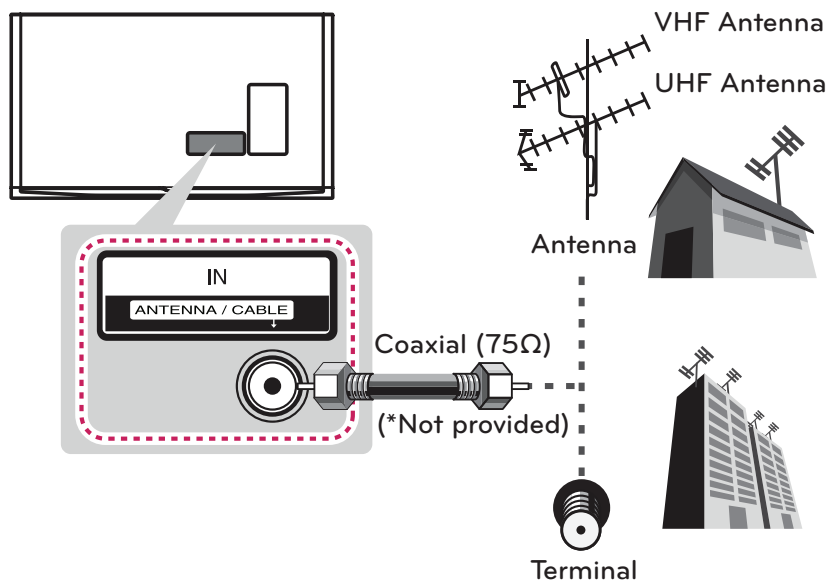
You can connect various external devices to the TV. Supported external devices are: HD receivers, DVD players, VCRs, audio systems, USB storage devices, PC, gaming devices, and other external devices. For more information on external device's connection, refer to the manual provided with each device.

### ! NOTE

- If you record a TV program on a DVD recorder or VCR, make sure to connect the TV signal input cable to the TV through a DVD recorder or VCR. For more information about recording, refer to the manual provided with the connected device.
- The external device connections shown may differ slightly from illustrations in this manual.
- Connect external devices to the TV regardless about the order of the TV port.
- If you connect a gaming device to the TV, use the cable supplied with the gaming device.
- Refer to the external equipment's manual for operating instructions.

### Connecting to an Antenna or Cable

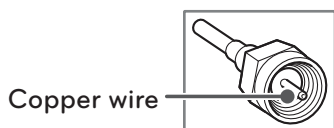
Connect an antenna, cable, or cable box to watch TV while referring to the following. The illustrations may differ from the actual items and an RF cable is optional.



ENGLISH

### ! CAUTION

- Make sure not to bend the copper wire of the RF cable.



- Complete all connections between devices, and then connect the power cord to the power outlet to prevent damage to your TV.

### ! NOTE

- Use a signal splitter to use 2 TVs or more.
- DTV Audio Supported Codec: MPEG, Dolby digital, AAC, HE-AAC.

## Connecting to an HD receiver, DVD player, or VCR

Connect a HD receiver, DVD player, or VCR to the TV and select an appropriate input mode.

### HDMI Connection

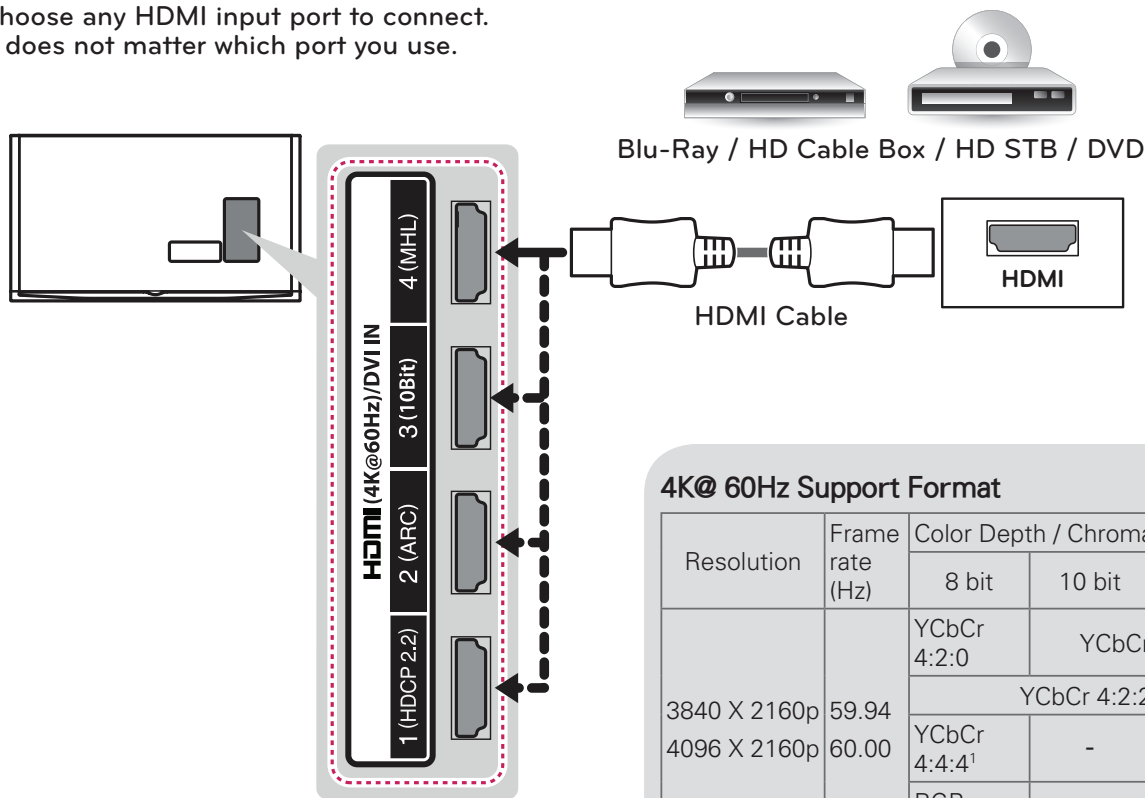
**HDMI is the best way to connect a device.**

Transmits digital video and audio signals from an external device to the TV. Connect the external device and the TV with the HDMI cable as shown in the following illustration.

**NOTE**

- Use the latest High Speed HDMI™ Cable that supports CEC (Customer Electronics Control) function.
- High Speed HDMI™ Cables are tested to carry an HD signal up to 1080p and higher.
- HDMI Audio Supported Format: PCM (Up to 192 kHz, 32 kHz / 44.1 kHz / 48 kHz / 96 kHz / 192 kHz) -> DTS is not supported.
- When you use an HDMI cable(HDMI port3), it is recommended that you use the cable provided. If you use a regular HDMI cable, use a high-speed HDMI cable (3m or less). (Depending upon model.)

Choose any HDMI input port to connect.  
It does not matter which port you use.



ENGLISH

#### ARC (Audio Return Channel)

- When connected with a high-speed HDMI cable, digital audio can be sent to a compatible device without an additional optical audio cable.
- ARC is only supported on the **HDMI IN 2 (ARC)** port. An external audio device that supports ARC should be connected to **HDMI IN 2 (ARC)** if you wish to use ARC.

**NOTE**

- HDMI specifications may be different for each input port, so make sure to check the device specifications before connecting.
- Contact customer service for more information on the HDMI specifications of each input port.

### DVI to HDMI Connection

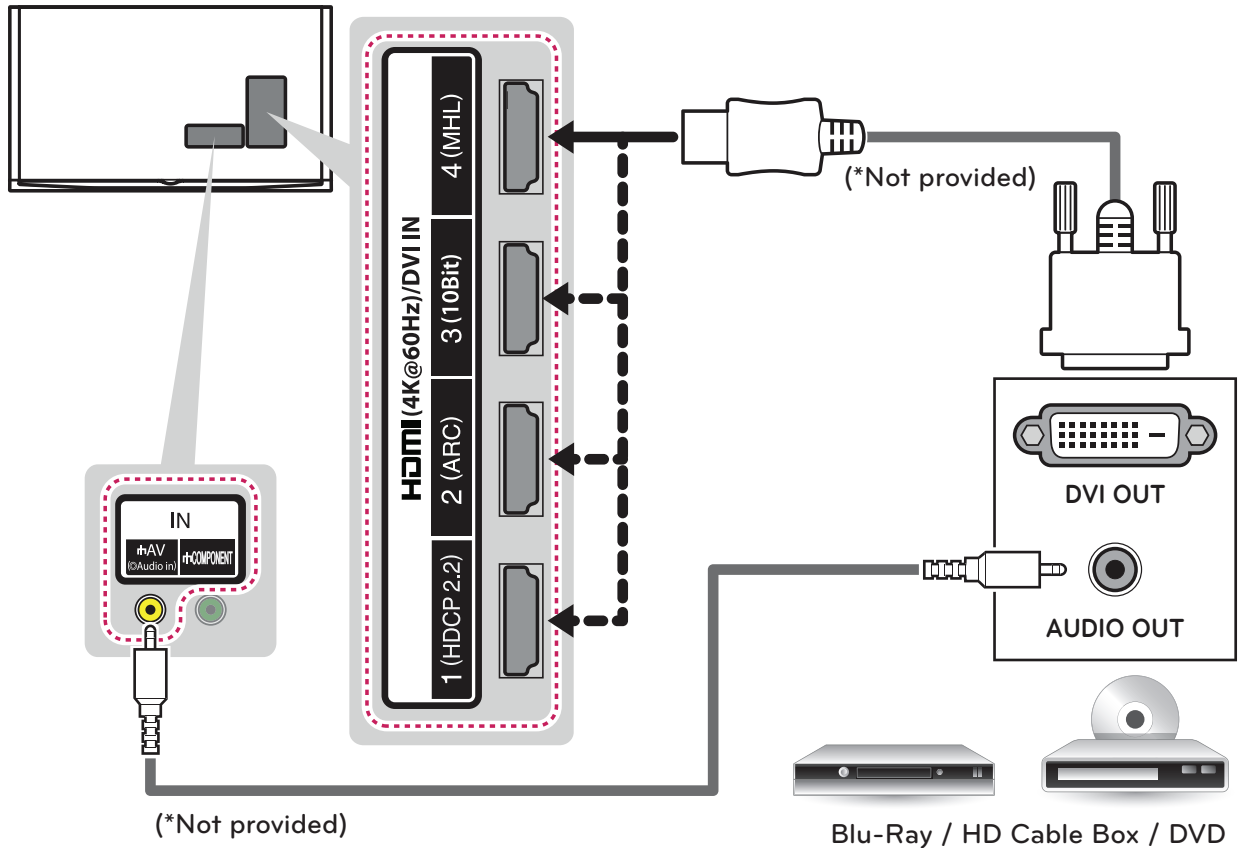
Transmits the digital video signal from an external device to the TV. Connect the external device and the TV with the DVI-HDMI cable as shown in the following illustration. To transmit an audio signal, connect an audio cable.

**NOTE**

- When using the HDMI/DVI cable, Single link is only supported.

Choose any HDMI input port to connect.  
It does not matter which port you use.

ENGLISH

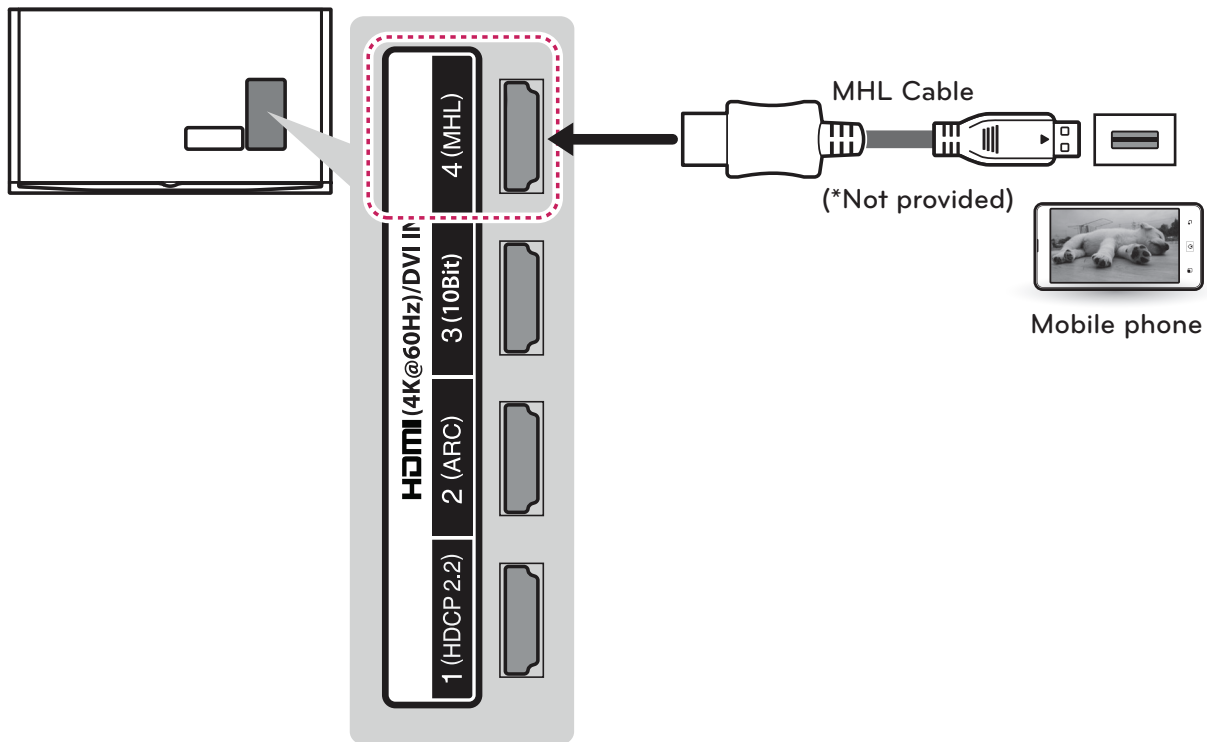


## Connecting to a Mobile Phone

Mobile High-definition Link (MHL) is an interface for transmitting digital audio/visual signals from mobile phones to television sets.

**! NOTE**

- Connect the mobile phone to the **HDMI(4K@60Hz)/DVI IN 4 (MHL)** port to view the phone screen on the TV.
- This only works with an MHL-enabled phone.
- With some MHL supporting mobile phones, you can use the TV remote to control the phone.
- An MHL passive cable is needed to connect the TV and a mobile phone.
- Remove the MHL cable from the TV when:
  - the MHL function is disabled
  - your mobile device is fully charged in standby mode



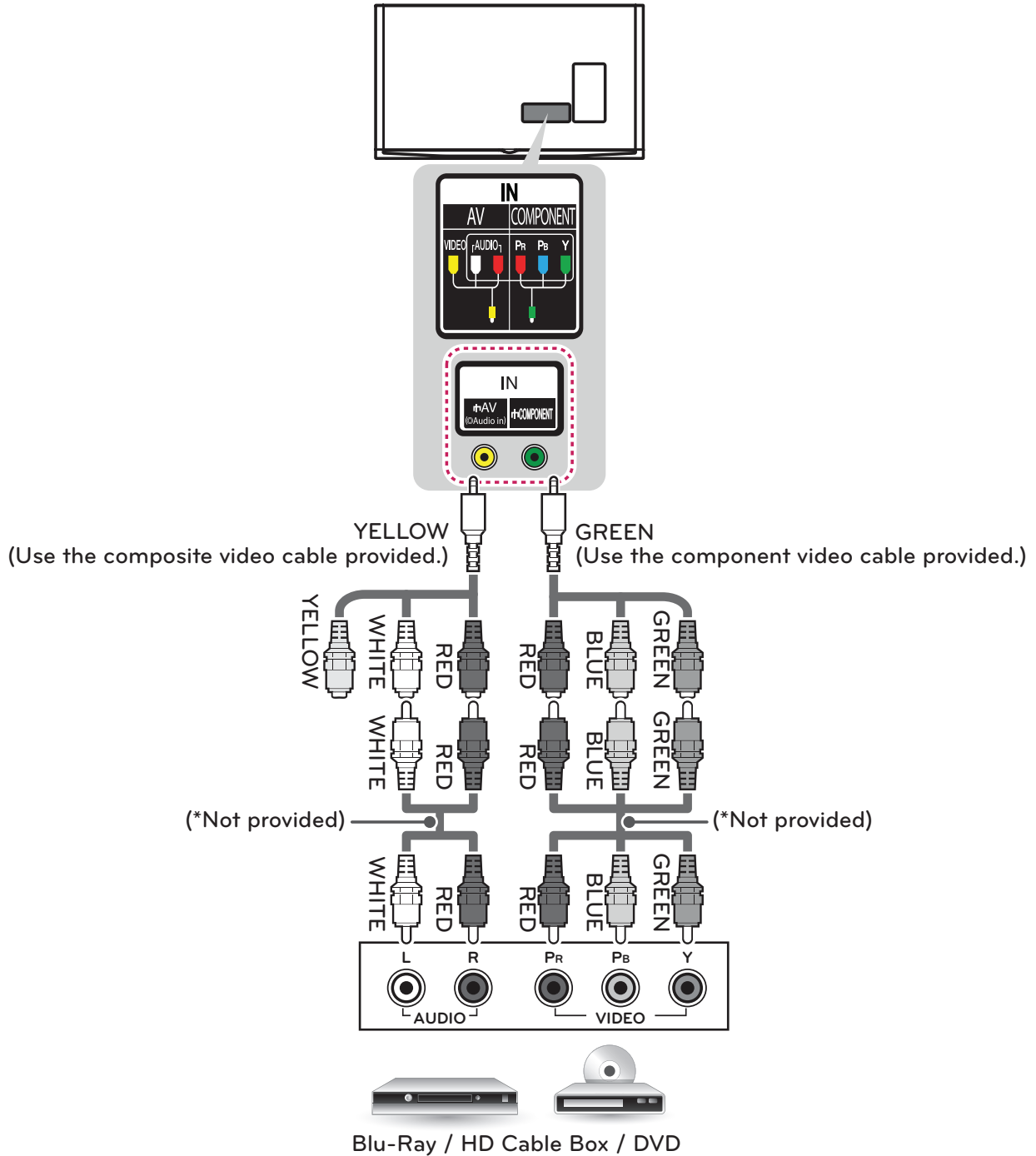
## Component Connection

Transmits analog video and audio signals from an external device to the TV. Connect the external device and the TV with a component cable as shown in the following illustration.

**NOTE**

- If cables are installed incorrectly, it could cause the image to display in black and white or with distorted color.
- Check to ensure the cables are matched with the corresponding color connection.

ENGLISH

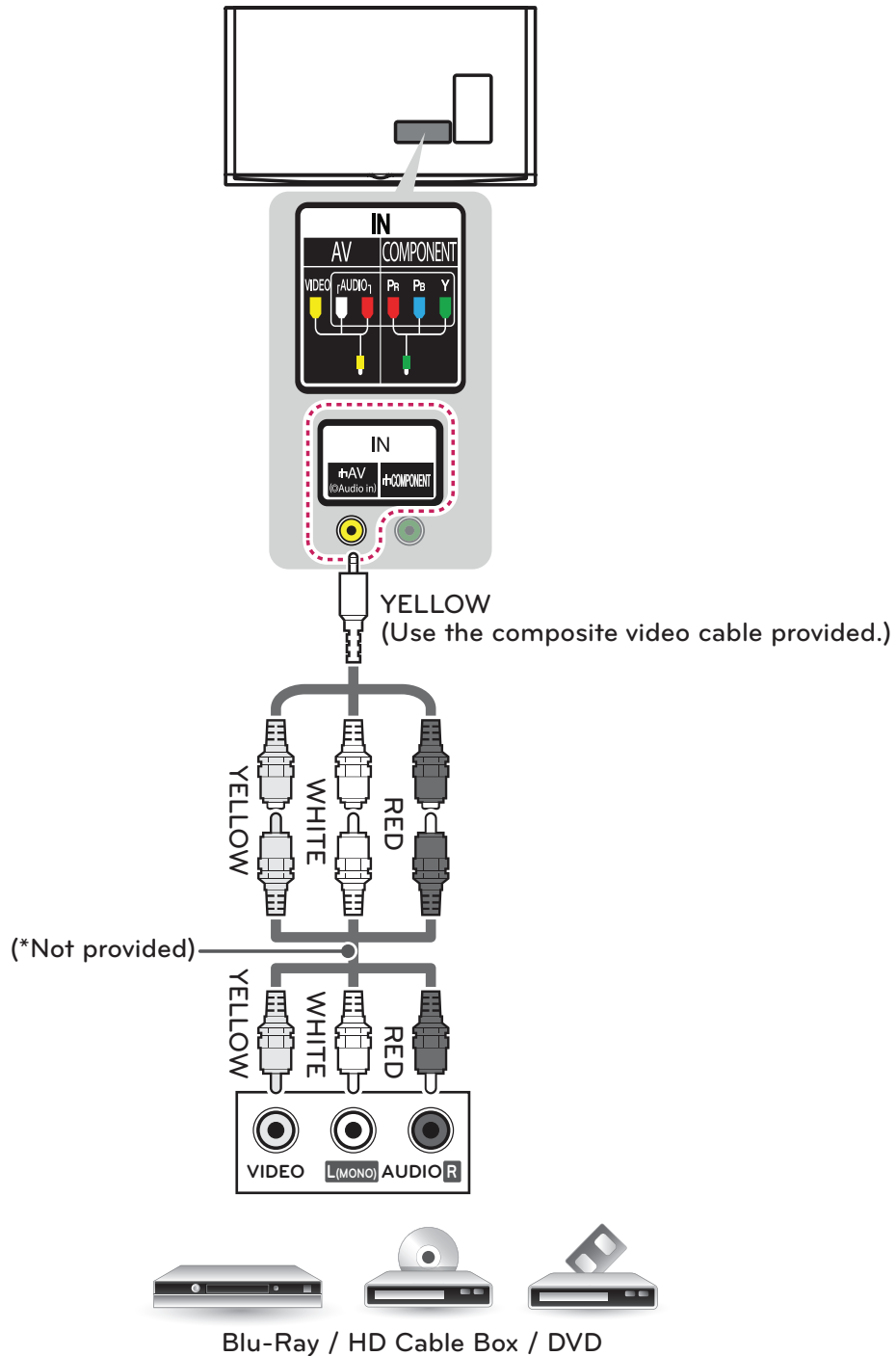


## Composite Connection

Transmits analog video and audio signals from an external device to the TV. Connect the external device and the TV with the composite cable as shown in the following illustration.

**NOTE**

- If you have a mono VCR, connect the audio cable from the VCR to the AUDIO L/MONO jack of the TV.
- Check to ensure the cables are matched with the corresponding color connection.



## Connecting to a PC

### ! NOTE

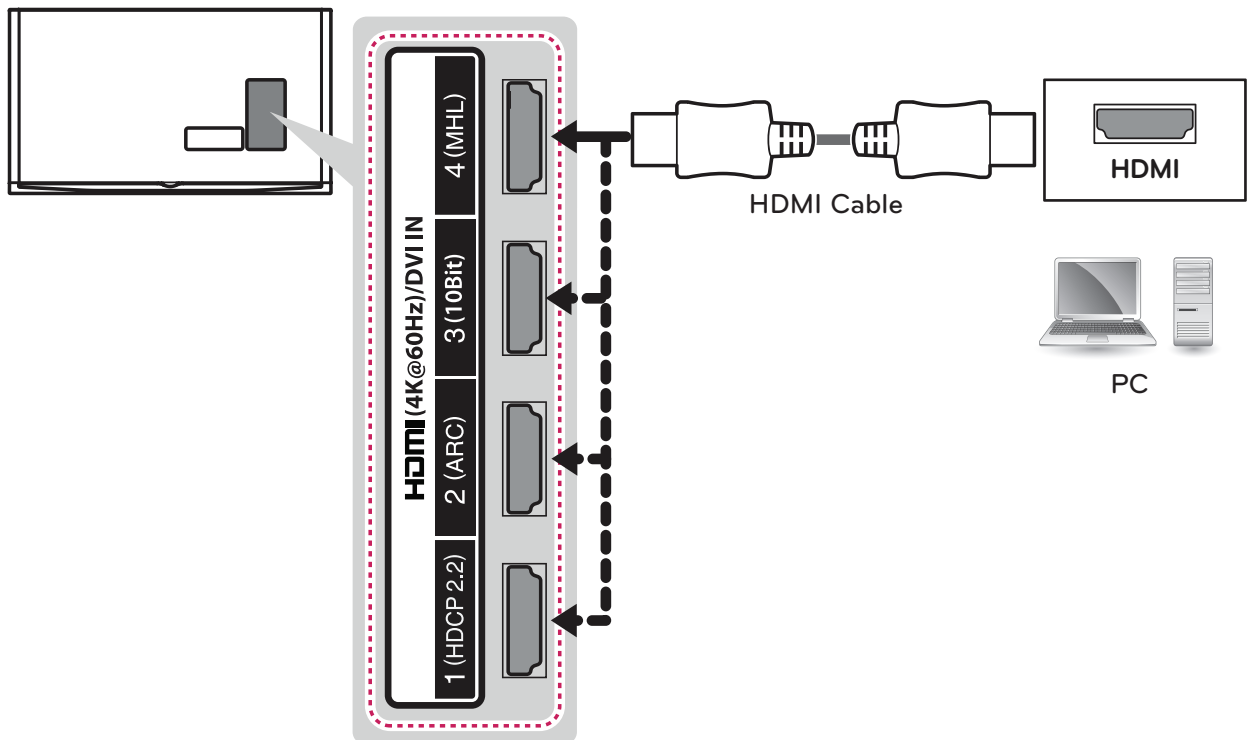
- Use an HDMI connection for the best image quality.
- Depending upon the graphics card, DOS mode video may not work if a HDMI to DVI Cable is in use.
- In PC mode, there may be noise associated with the resolution, vertical pattern, contrast or brightness. If noise is present, change the PC output to another resolution, change the refresh rate to another rate or adjust the brightness and contrast on the PICTURE menu until the picture is clear.
- The synchronization input form for Horizontal and Vertical frequencies is separate.
- Depending upon the graphics card, some resolution settings may not allow the image to be positioned on the screen properly.
- If you are using DVI out from a PC, you have to connect analog audio separately. Refer to the instructions on the next page.
- When using the HDMI/DVI cable, only single link is supported.
- If Ultra HD content is played on your PC, video or audio may become disrupted intermittently depending upon your PC's performance.

### HDMI connection or DVI to HDMI connection

Choose method A or B to make connection.

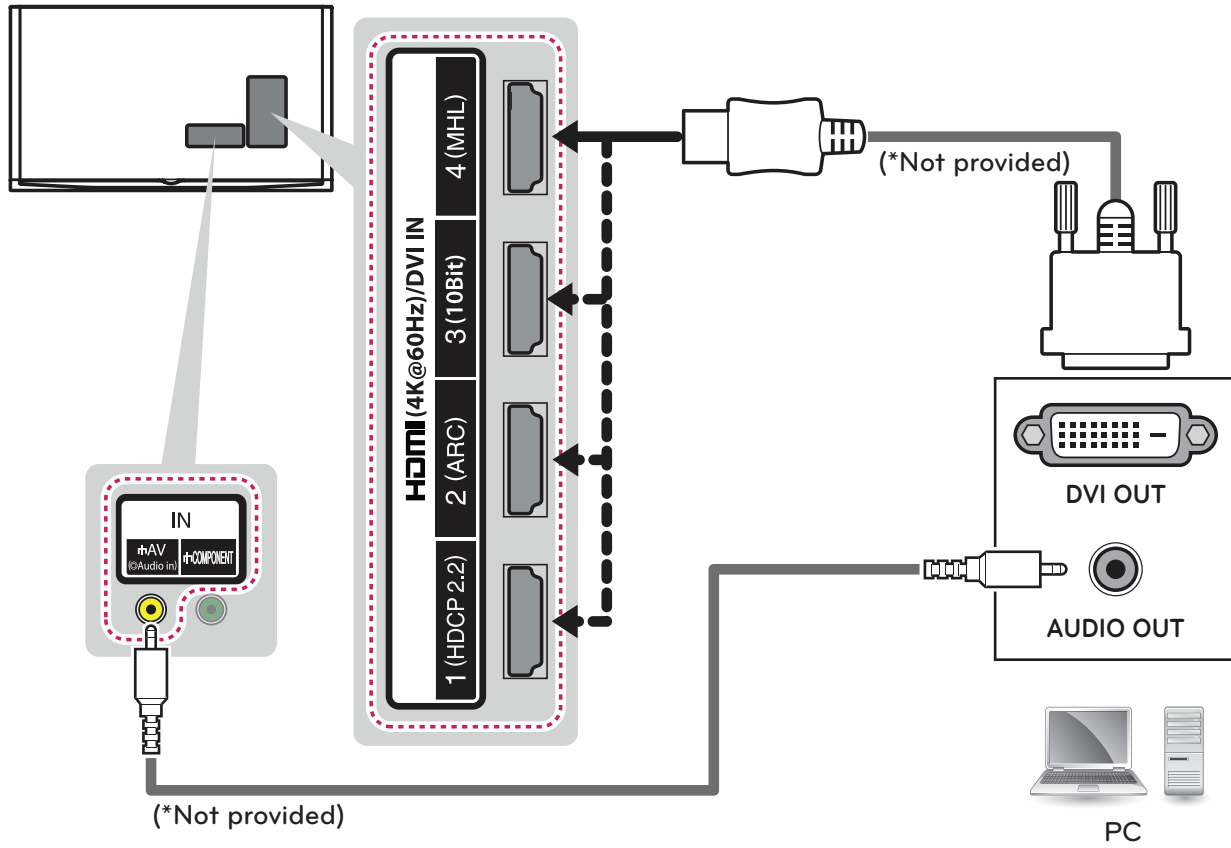
#### Method A: HDMI Connection

Choose any HDMI input port to connect.  
It does not matter which port you use.



Method B: DVI to HDMI Connection

Choose any HDMI input port to connect.  
It does not matter which port you use.



## Connecting to an Audio System

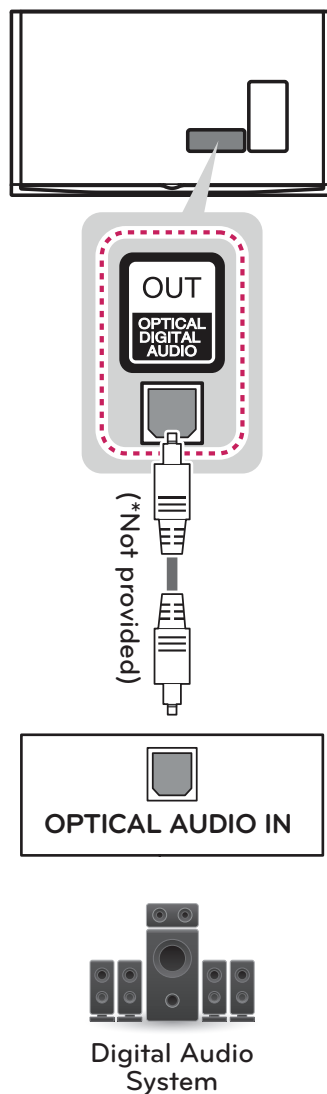
You can use an optional external audio system instead of the built-in speaker.

### Digital Optical Audio Connection

Transmits a digital audio signal from the TV to an external device. Connect the external device and the TV with the optical audio cable as shown in the following illustration.

#### ! NOTE

- Do not look into the optical output port. Looking at the laser beam may damage your vision.
- Audio with ACP (Audio Copy Protection) function may block digital audio output.

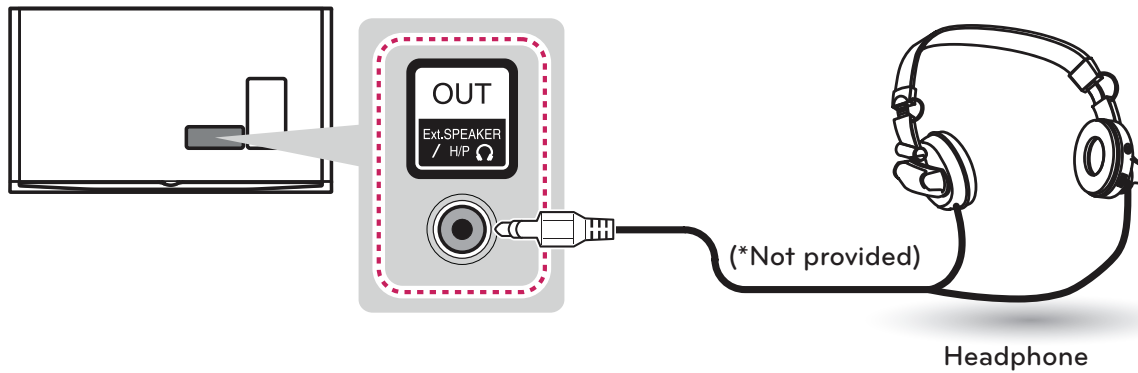


## Connecting Headphones

Listening to sound with headphones.

### ! NOTE

- Do not use headsets (earphones) at high volume or for a long time. It may cause damage to your hearing.
- AUDIO menu options are disabled when headphones are connected.
- When changing AV MODE with a headphone connected, the change is applied to video but not to audio.
- Optical Digital Audio Out is not available when connecting a headphone.
- Headphone impedance: 16  $\Omega$
- Max audio output: 0.627 mW to 1.334 mW
- Headphone jack size: 3.5 mm



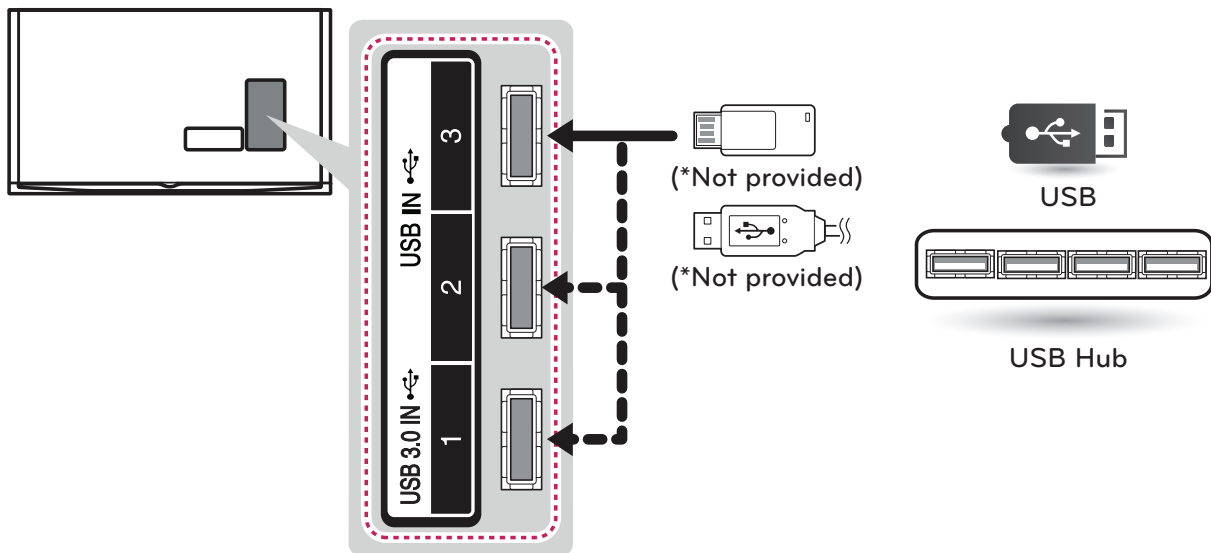
## Connecting a USB device

Connect a USB storage device such as USB flash memory, external hard drive, or a USB memory card reader to the TV.

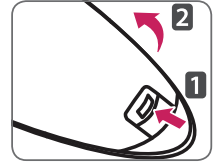
### ! NOTE

- Some USB Hubs may not work. If a USB device connected through a USB Hub is not detected, connect it directly to the USB port on the TV.
- Connecting guide for USB 3.0 :  
Some USB device may not work if it does not meet USB 3.0 standard.  
In case, connect it to **USB IN 2** or **USB IN 3** port.

Choose any USB port to connect.  
It does not matter which port you use.



# MAGIC REMOTE FUNCTIONS

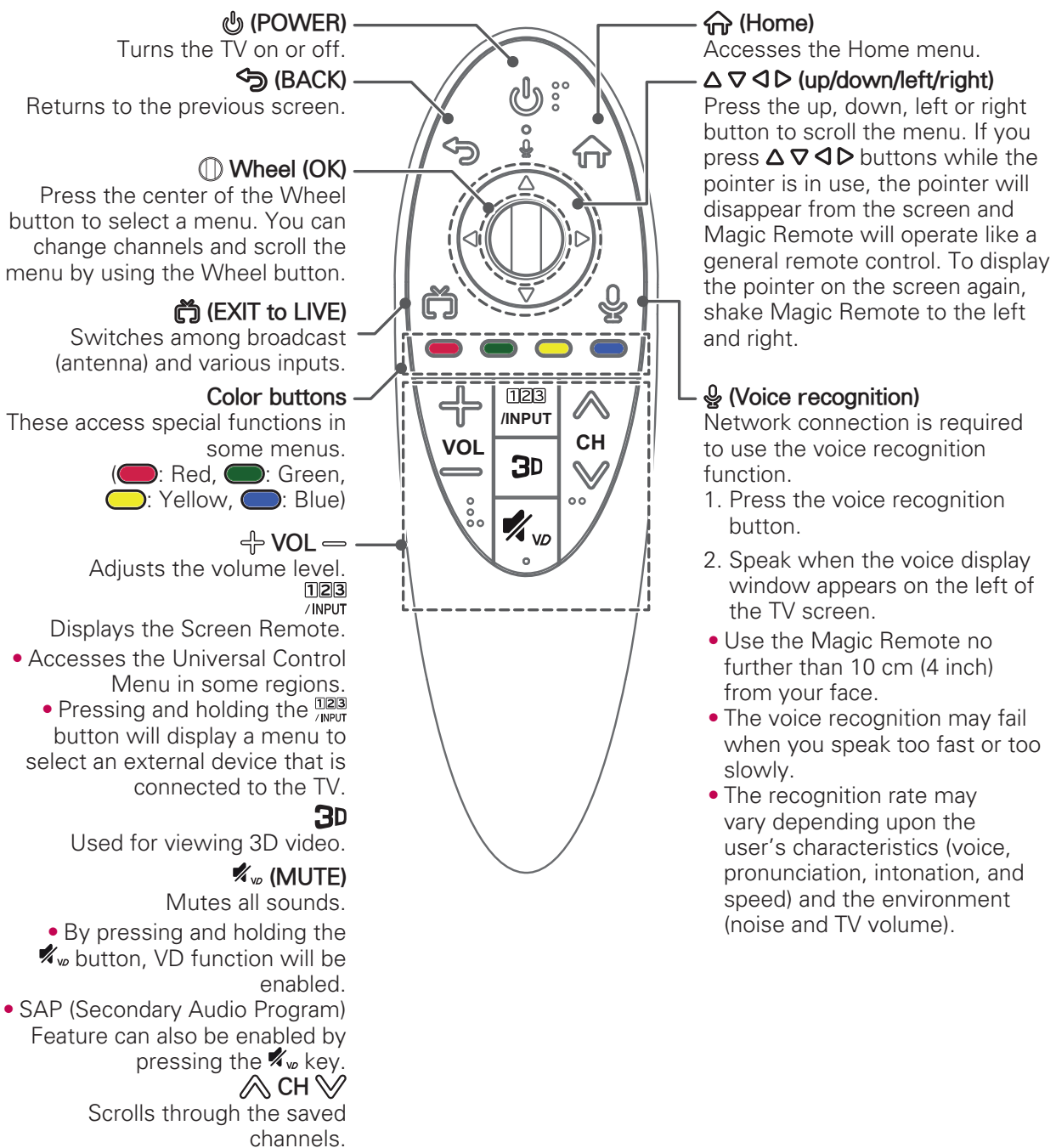


When the message *Magic remote battery is low. Change the battery.* is displayed, replace the battery. To install batteries, open the battery cover, replace batteries (1.5 V AA) matching ⊕ and ⊖ ends to the label inside the compartment, and close the battery cover. Be sure to point the remote control at the remote control sensor on the TV. To remove the batteries, perform the installation actions in reverse.

## ⚠ CAUTION

- Do not mix old and new batteries, as this may damage the remote control.



This remote uses infrared light. When in use, it should be pointed in the direction of the TV's remote sensor.







## Registering Magic Remote

The Magic Remote operates by pairing with your TV.

### How to register the Magic Remote

 <b>(Wheel)</b>	<p>To use the Magic Remote, first pair it with your TV.</p> <ol style="list-style-type: none"> <li>1 Put batteries into the Magic Remote and turn the TV on.</li> <li>2 Point the Magic Remote at your TV and press the  <b>Wheel (OK)</b> on the remote control.</li> </ol> <ul style="list-style-type: none"> <li>• If the TV fails to register the Magic Remote, try again after turning the TV off and back on.</li> </ul>
---	---

### How to deregister the Magic Remote





 <b>(BACK)</b> <b>(Home)</b>	<p>Press the  <b>(BACK)</b> and  <b>(Home)</b> buttons at the same time, for five seconds, to unpair the Magic Remote with your TV.</p> <ul style="list-style-type: none"> <li>• Pressing and holding the  <b>(EXIT to LIVE)</b> button will let you cancel and re-register Magic Remote at once.</li> </ul>
--	---

ENGLISH

## Precautions to Take when Using the Magic Remote

- Use the Magic remote within the maximum communication distance (10 m, 32.8 ft). Using the remote control beyond this distance, or with an object obstructing it, may cause a communication failure.
- A communication failure may occur due to nearby devices. Electrical devices such as a microwave oven or wireless LAN product may cause interference, as these use the same bandwidth (2.4 GHz) as the Magic remote.
- The Magic remote may be damaged or may malfunction if it is dropped or receives a heavy impact.
- Take care not to bump into nearby furniture or other people when using the Magic remote.
- Manufacturer and installer cannot provide service related to human safety as the applicable wireless device has possibility of electric wave interference.
- It is recommended that an Access Point (AP) be located more than 1 m (3.28 ft) away from the TV. If the AP is installed closer than 1 m (3.28 ft), the Magic remote may not perform as expected due to frequency interference.

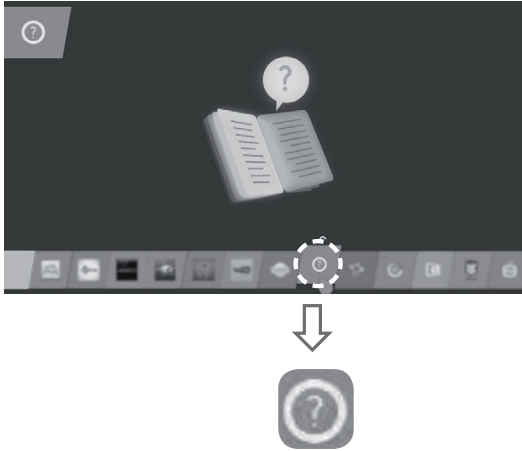
## How to use Magic Remote

	<ul style="list-style-type: none"> <li>• Shake the Magic Remote slightly to the right and left or press  <b>(Home)</b>,  <b>INPUT</b>,  <b>3D</b> buttons to make the pointer appear on the screen. (In some TV models, the pointer will appear when you turn the Wheel button.)</li> <li>• If the pointer has not been used for a certain period of time or Magic Remote is placed on a flat surface, then the pointer will disappear.</li> <li>• If the pointer does not move as you wish, shake Magic Remote to the left and right. The pointer will move to the center of the screen.</li> <li>• The Magic Remote depletes batteries faster than a normal remote due to the additional features.</li> </ul>
---	--

## USING THE USER GUIDE

User Guide allows you to easily access detailed TV information.

- 1 Press **Home** button to access the Home menu.
- 2 Select **User Guide** and press the **Wheel (OK)** button.



## EXTERNAL CONTROL DEVICE SETUP

To obtain the external control device setup information, please visit [www.lg.com](http://www.lg.com).

# SPECIFICATIONS

Product specifications may be changed without prior notice due to upgrade of product functions.

<b>Television System</b>		ATSC, NTSC-M, 64 & 256 QAM
<b>Program Coverage</b>		VHF 2-13, UHF 14-69, DTV 2-69, CATV 1-135, CADTV 1-135
<b>External Antenna Impedance</b>		75 Ω
<b>Environment condition</b>	Operating Temperature	0 °C to 40 °C (32 °F to 104 °F)
	Operating Humidity	Less than 80 %
	Storage Temperature	-20 °C to 60 °C (-4 °F to 140 °F)
	Storage Humidity	Less than 85 %

MODELS		49UB8500 (49UB8500-UA)	55UB8500 (55UB8500-UA)
Dimensions (W x H x D)	With stand	1,093 x 689 x 242 (mm)	1,233 x 766 x 260 (mm)
		43.0 x 27.1 x 9.5 (inch)	48.5 x 30.1 x 10.2 (inch)
	Without stand	1,093 x 646 x 38.2 (mm)	1,233 x 727 x 37.8 (mm)
		43.0 x 25.4 x 1.5 (inch)	48.5 x 28.6 x 1.4 (inch)
Weight	With stand	18.2 kg (40.1 lbs)	21.2 kg (46.7 lbs)
	Without stand	17.5 kg (38.5 lbs)	20.5 kg (45.1 lbs)
Current Value / Power consumption		1.8 A / 180 W	1.9 A / 190 W
Power requirement		AC 100 - 240 V ~ 50 / 60 Hz	

MODELS		60UB8500 (60UB8500-UA)
Dimensions (W x H x D)	With stand	1,351 x 833 x 289 (mm)
		53.1 x 32.7 x 11.3 (inch)
	Without stand	1,351 x 785 x 57.5 (mm)
		53.1 x 30.9 x 2.2 (inch)
Weight	With stand	22.5 kg (49.6 lbs)
	Without stand	21.8 kg (48.0 lbs)
Current Value / Power consumption		2.1 A / 210 W
Power requirement		AC 100 - 240 V ~ 50 / 60 Hz

MODELS		65UB9300 (65UB9300-UA)
Dimensions (W x H x D)	With stand	1,452 x 914 x 300 (mm)
		57.1 x 35.9 x 11.8 (inch)
	Without stand	1,452 x 858 x 37 (mm)
		57.1 x 33.7 x 1.4 (inch)
Weight	With stand	34.8 kg (76.7 lbs)
	Without stand	33.7 kg (74.2 lbs)
Current Value / Power consumption		2.3 A / 230 W
Power requirement		AC 120 V~ 50 / 60 Hz

ENGLISH

MODELS		55UB9500 (55UB9500-UA)	65UB9500 (65UB9500-UA)
Dimensions (W x H x D)	With stand	1,232 x 782 x 260 (mm)	1,452 x 914 x 300 (mm)
		48.5 x 30.7 x 10.2 (inch)	57.1 x 35.9 x 11.8 (inch)
	Without stand	1,232 x 734 x 37 (mm)	1,452 x 858 x 37 (mm)
		48.5 x 28.8 x 1.4 (inch)	57.1 x 33.7 x 1.4 (inch)
Weight	With stand	23.8 kg (52.4 lbs)	34.8 kg (76.7 lbs)
	Without stand	23.1 kg (50.9 lbs)	33.7 kg (74.2 lbs)
Current Value / Power consumption		2.1 A / 210 W	2.3 A / 230 W
Power requirement		AC 100 - 240 V ~ 50 / 60 Hz	AC 120 V~ 50 / 60 Hz

MODELS		65UC9700 (65UC9700-UA)
Dimensions (W x H x D)	With stand	1,391 x 881 x 340 (mm)
		54.7 x 34.6 x 13.3 (inch)
	Without stand	1,391 x 824 x 56.0 (mm)
		54.7 x 32.4 x 2.2 (inch)
Weight	With stand	35.7 kg (78.7 lbs)
	Without stand	33.0 kg (72.7 lbs)
Current Value / Power consumption		2.5 A / 250 W
Power requirement		AC 120 V~ 50 / 60 Hz

Wireless module (LGSBW41) Specifications			
Wireless LAN		Bluetooth	
<b>Standard</b>	IEEE 802.11a/b/g/n	<b>Standard</b>	Bluetooth Version 3.0
<b>Frequency range</b>	2400 to 2483.5 MHz 5150 to 5250 MHz 5725 to 5850 MHz	<b>Frequency range</b>	2400 to 2483.5MHz
<b>Output power(Max.)</b>	802.11a: 11.5 dBm 802.11b: 11 dBm 802.11g: 10.5 dBm 802.11n - 2.4GHz: 11 dBm 802.11n - 5GHz: 12.5 dBm	<b>Output power(Max.)</b>	10dBm or Lower
<ul style="list-style-type: none"> <li>Because band channel used by the country could be different, the user can not change or adjust the operating frequency and this product is set for the regional frequency table.</li> <li>This device should be installed and operated with minimum distance 20 cm (7.8 inch) between the device and your body. And this phrase is for the general statement for consideration of user environment.</li> <li>Contains FCC ID: BEJLGSBW41 / Contains IC: 2703H-LGSBW41</li> </ul>			

## MAINTENANCE

### Cleaning your TV

Clean your TV regularly to keep it at peak performance and to extend the product's lifespan.

#### CAUTION

- Before cleaning, turn the power off and disconnect the power cord and all other cables.
- When the TV is left unattended or unused for a long time, disconnect the power cord from the wall outlet to prevent possible damage from lightning or power surges.

### Screen, Frame, Cabinet, and Stand

To remove dust or light dirt, wipe the surface with a dry, clean, and soft cloth.

To remove major dirt, wipe the surface with a soft cloth dampened in clean water or a diluted mild detergent. Then wipe immediately with a dry cloth.

#### CAUTION

- Do not push, rub, or hit the surface with your fingernail or a sharp object, as this may result in scratches on the screen and image distortions.
- Do not use any chemicals, such as waxes, benzene, alcohol, thinners, insecticides, air fresheners, or lubricants, as these may damage the screen's finish and cause discoloration.
- Do not spray liquid onto the surface. If water enters the TV, it may result in fire, electric shock, or malfunction.

ENGLISH

### Power Cord

Remove the accumulated dust or dirt on the power cord regularly.

## TROUBLESHOOTING

Problem	Solution
Cannot control the TV with the remote control.	<ul style="list-style-type: none"> <li>• Check if anything such as tape has been placed over the receiver.</li> <li>• Check if there is any obstacle between the product and the remote control.</li> <li>• Replace the batteries with new fresh ones.</li> </ul>
No image display and no sound is produced.	<ul style="list-style-type: none"> <li>• Check if the product is turned on.</li> <li>• Check if the power cord is connected to a wall outlet.</li> <li>• Check if there is a problem in the wall outlet by connecting other products.</li> </ul>
The TV turns off suddenly.	<ul style="list-style-type: none"> <li>• Check the power control settings. The power supply may be interrupted.</li> <li>• Check if the <b>Sleep Timer / Timer Power Off</b> feature is activated in the <b>Timers</b> settings.</li> <li>• If there is no signal while the TV is on, the TV will turn off automatically after 15 minutes of inactivity.</li> </ul>

# CHILD SAFETY:

## PROPER TELEVISION PLACEMENT MATTERS



### THE CONSUMER ELECTRONICS INDUSTRY CARES

- Manufacturers, retailers and the rest of the consumer electronics industry are committed to making home entertainment safe and enjoyable.
- As you enjoy your television, please note that all televisions – new and old- must be supported on proper stands or installed according to the manufacturer's recommendations. Televisions that are inappropriately situated on dressers, bookcases, shelves, desks, speakers, chests, carts, etc., may fall over, resulting in injury.



### TUNE IN TO SAFETY

- **ALWAYS** follow the manufacturer's recommendations for the safe installation of your television.
- **ALWAYS** read and follow all instructions for proper use of your television.
- **NEVER** allow children to climb on or play on the television or the furniture on which the television is placed.
- **NEVER** place the television on furniture that can easily be used as steps, such as a chest of drawers.
- **ALWAYS** install the television where it cannot be pushed, pulled over or knocked down.
- **ALWAYS** route cords and cables connected to the television so that they cannot be tripped over, pulled or grabbed.



### WALL OR CEILING MOUNT YOUR TELEVISION

- **ALWAYS** contact your retailer about professional installation if you have any doubts about your ability to safely mount your television.
- **ALWAYS** use a mount that has been recommended by the television manufacturer and has a safety certification by an independent laboratory (such as UL, CSA, ETL).
- **ALWAYS** follow all instructions supplied by the television and mount manufacturers.
- **ALWAYS** make sure that the wall or ceiling where you are mounting the television is appropriate. Some mounts are not designed to be mounted to walls and ceilings with steel studs or cinder block construction. If you are unsure, contact a professional installer.
- Televisions can be heavy. A minimum of two people is required for a wall or ceiling mount installation.



### MOVING AN OLDER TELEVISION TO A NEW PLACE IN YOUR HOME

- Many new television buyers move their older CRT televisions into a secondary room after the purchase of a flat-panel television. Special care should be made in the placement of older CRT televisions.
- **ALWAYS** place your older CRT television on furniture that is sturdy and appropriate for its size and weight.
- **NEVER** place your older CRT television on a dresser where children may be tempted to use the drawers to climb.
- **ALWAYS** make sure your older CRT television does not hang over the edge of your furniture.



Declaration of Conformity  
Trade Name: LG  
Model: 49/55/60UB8500-UA, 65UB9300-UA,  
55/65UB9500-UA, 65UC9700-UA  
Responsible Party: LG Electronics Inc.  
Address: 1000 Sylvan Ave. Englewood Cliffs NJ  
07632 U.S.A  
TEL: 201-266-2534

#### LG Customer Information Center

For inquiries or comments, visit [www.lg.com](http://www.lg.com) or call;

<b>1-800-243-0000</b>	USA, Consumer User
<b>1-888-865-3026</b>	USA, Commercial User
<b>1-888-542-2623</b>	CANADA

**Register your product Online!**

[www.lg.com](http://www.lg.com)

The model and serial numbers of the TV are located on the back and on one side of the TV. Record them below should you ever need service.

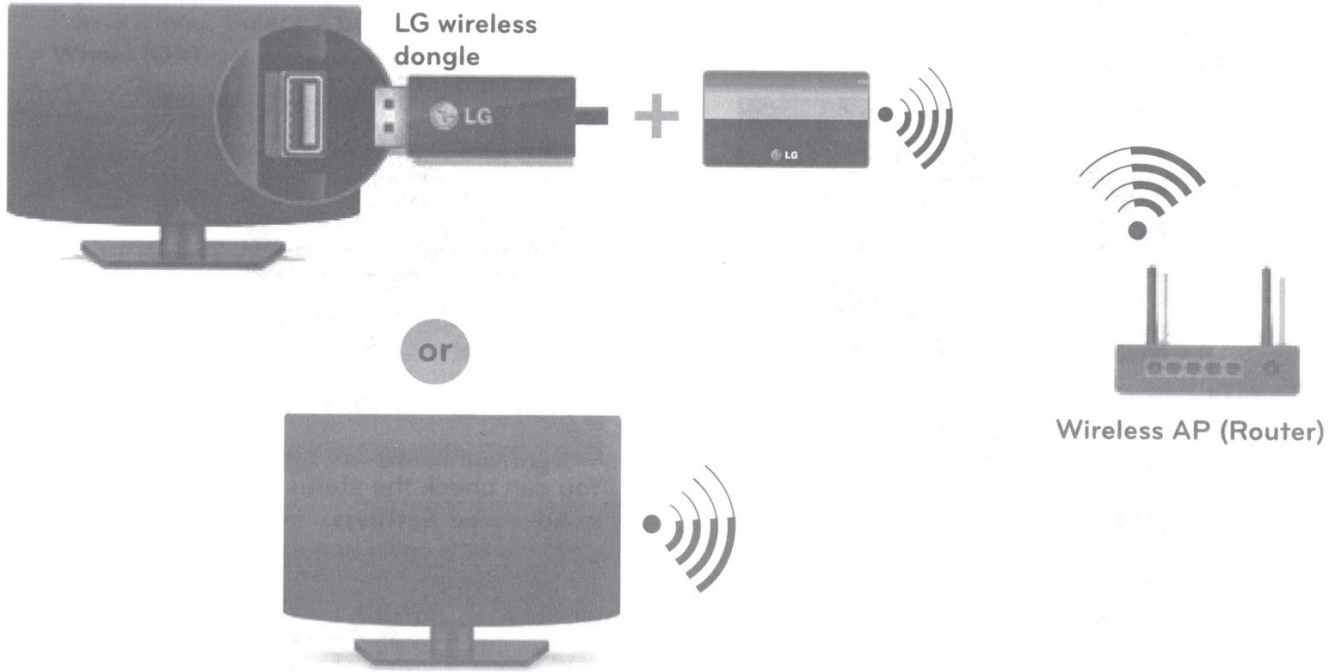
MODEL \_\_\_\_\_

SERIAL \_\_\_\_\_

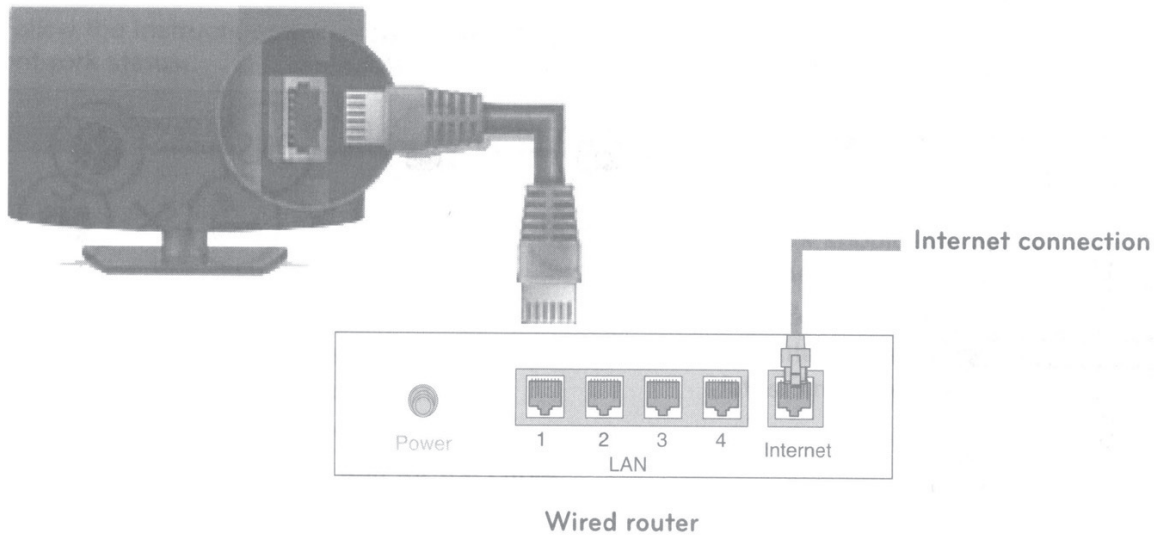
\* Image shown may differ from your TV.

\* Image shown on a PC or mobile phone may vary depending upon the Operating System (OS).

## Wireless Network Connection



## Wired Network Connection

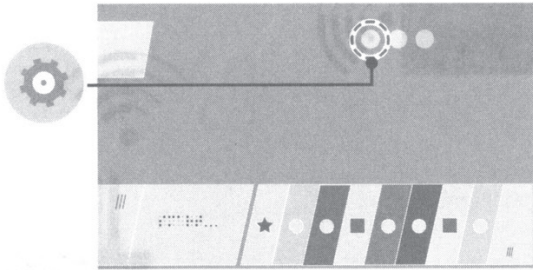


# Network Settings

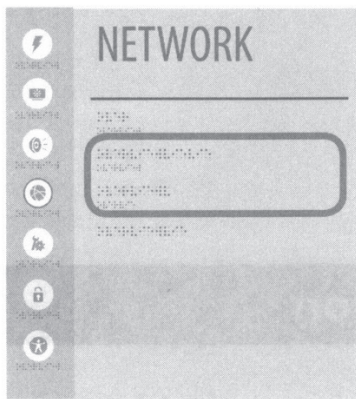
ENGLISH

Premium Apps are pre-installed on the TV. These may vary by country. Depending upon the version of the software, icon position can be changed.

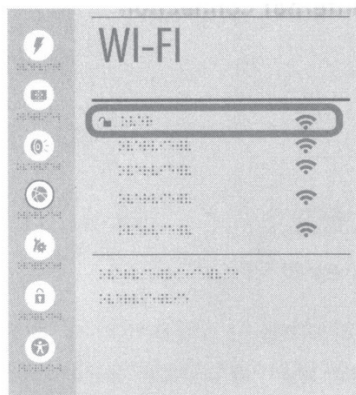
- 1 Press the **Smart** button to access the home menu. Select **Settings** and press **Wheel (OK)**.



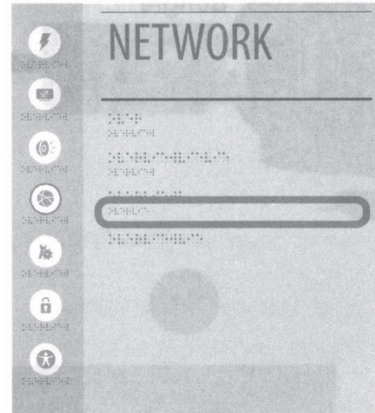
- 2 Select the **Network** **Wired Connection** or **Wi-Fi Connection**.



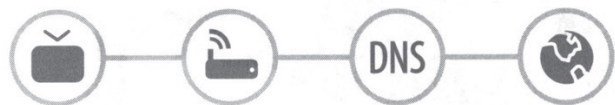
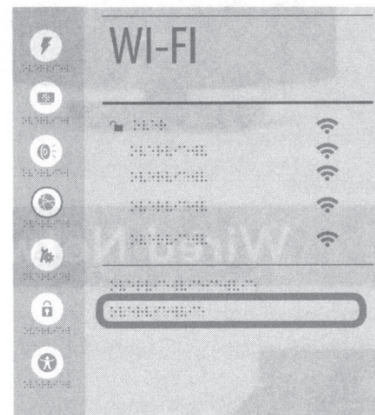
- 3 The device automatically tries to connect to the network available (wired network first). When you select the **Wi-Fi Connection**, the network list available is displayed. Choose the network you wish to use.



- 4 If the connection is completed, **Connected** is displayed.



You can check the status of connection in **Advanced Settings**.



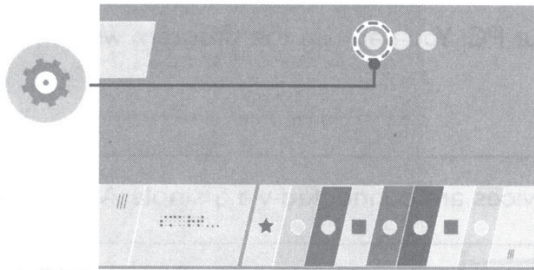
For wireless AP (Router) that have the **lock** symbol, you need to enter the security key.

Please call LG Customer Service if you experience any problems.

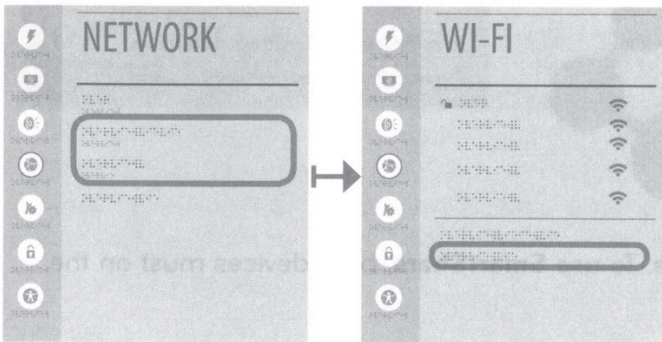
# Troubleshooting Network Problems

Depending upon the version of the software, icon position can be changed.

- 1 Press the **Smart** button to access the home menu. Select **(Settings)** and press **Wheel (OK)**.



- 2 Select the **Network** **Wired Connection** or **Wi-Fi Connection** **Advanced Settings**.



Follow the instructions below that correlate to your network status.

## Check the TV or the AP (Router).



### When X appears next to TV:

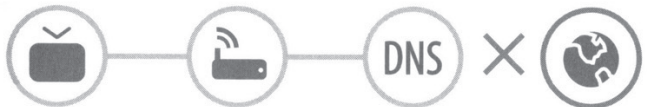
- 1 Check the connection status of the TV, AP (Router) and cable modem.
- 2 Power off and power on in the following order; (1st) the cable modem, wait for the cable modem to reset (2nd) the AP (Router), wait for the AP (Router) to reset and the (3rd) TV.
- 3 If you are using a static IP, enter the IP directly.
- 4 Contact internet service provider or AP (Router) companies.

## Check the AP (Router) or consult your Internet service provider.



### When X appears next to Gateway:

- 1 Unplug the power cord of the AP (Router), cable modem, wait 10 seconds. Reapply power.
- 2 Initialize (Reset) the AP (Router) or cable modem.
- 3 Contact internet service provider or AP (Router) companies.



### When X appears next to DNS:

- 1 Unplug the power cord of the cable modem or the AP (Router), wait 10 seconds. Reapply power.
- 2 After the cable modem or AP (Router) has Initialized (Reset), try to reconnect.
- 3 Check that the MAC address of the TV/ AP (Router) is registered with your Internet service provider. (The MAC address displayed on the right pane of the network status window should be registered with your Internet service provider.)
- 4 Check the AP (Router) manufacturer's website to make sure your router has the latest firmware version installed.

# SmartShare PC SW Installation & Setting

ENGLISH

Install the **SmartShare PC SW** program on your PC.

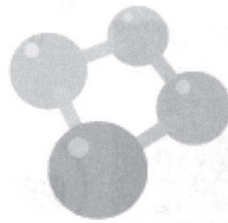
- 1 Go to **www.lg.com**. Then, select your region.
- 2 Select **SUPPORT**. Then, search for your model.
- 3 Select **Drivers & Software** or **SOFTWARE UPDATE**. Then, select **SmartShare PC SW**.
- 4 Download the SmartShare PC SW and Install it on your PC. You can run the program when installation is complete.



## NOTE

- **SmartShare** service is only available if TV and other devices are connected via a single AP (Router).

# SmartShare Connection to Smartphone



- 1 Check that Wi-Fi is enabled on your smartphone. To use **SmartShare**, both devices must be on the same local network.
- 2 Install/run the app for sharing content on your smartphone (It's called **SmartShare** on LG phones).
- 3 Enable your smartphone to share content files with other devices.
- 4 Open **SmartShare** application on TV. **Home (Smart) > SmartShare**
- 5 Select the file type you want to play (movie, audio or photo).
- 6 Select a movie, music or photo file to play on the TV.
- 7 Play the media file to view and enjoy it on your TV.

Please call LG Customer Service if you experience any problems.

# Updating the TV Firmware

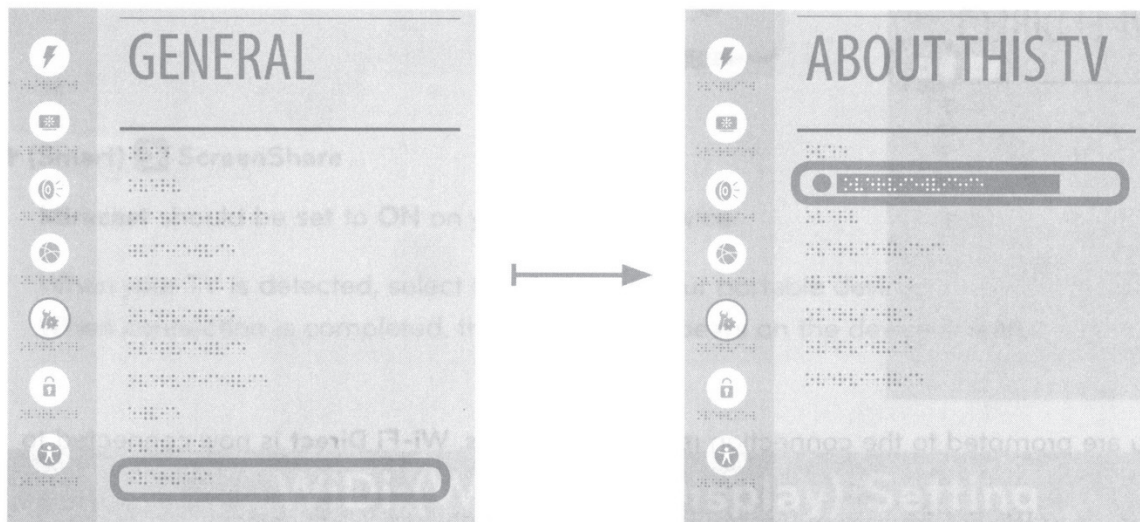
↑ (Smart) > ⚙️ (Settings) > 🏠 General > ABOUT THIS TV > Software Version

You can check the Software Version and update it.

If you check the **Allow Automatic Updates**, the TV will check for updated software automatically each time the set is turned on (Internet Connection is required).

\* When the TV is turned on for the first time after a software update, initialization of the TV may take up to one minute.

ENGLISH



# Wi-Fi Direct Setting

ENGLISH

🏠 (Smart) > ⚙️ (Settings) > 🌐 Network > Wi-Fi DIRECT

If a local network is not available, you can connect a portable device directly to the TV using Wi-Fi Direct.

With **SmartShare**, you can share files or screens of devices connected to **Wi-Fi Direct**.

- 1 If **Wi-Fi Direct** is set to **On**, a list of available devices appears. Select your device.

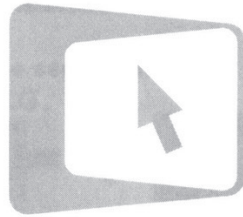


- 2 When you are prompted to the connection request, select **Yes**. **Wi-Fi Direct** is now connected to your TV.

\* If you are not using **Wi-Fi Direct** to minimize the interference between Wi-Fi devices, it is recommended to set **Wi-Fi Direct** to **Off**. You can only use devices that support Wi-Fi Direct.

# Miracast Setting

**Miracast** allows a portable device to securely send video and sound to the TV wirelessly.




## 🏠 (Smart) ▶ ScreenShare

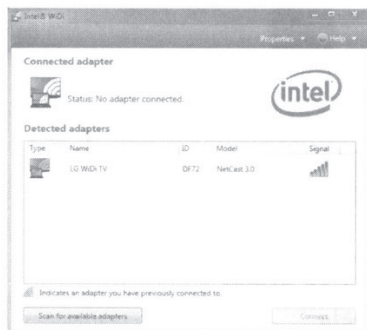
- 1 **Miracast** should be set to **ON** on your portable device.
- 2 When your TV is detected, select the device on your portable device.  
When connection is completed, the TV screen appears on the device screen.

# WiDi (Wireless Display) Setting

Intel's WiDi (Wireless Display) technology enables easy and fast connection without wires or internet network for mirrored and dual monitor display on your TV. You can sit back and experience your favorite movies, videos, photos, online shows and more in full HD on your TV with great image clarity and sound.

## 🏠 (Smart) ▶ ScreenShare

- 1 On the TV Intel's WiDi is set to **On**. Your laptop runs the Intel WiDi  program.
  - \* LG TVs do not need to register.
  - \* For more information on Intel WiDi, visit <http://intel.com/go/widi>.
  - \* You can control your PC using the Magic Remote Control. (above WiDi version 4.2)
- 2 It detects LG Smart TVs available, which supports WiDi. In the list, select the TV you want and click Connect. Enter the number shown on the screen into the input field (a) on your laptop and then click Continue.



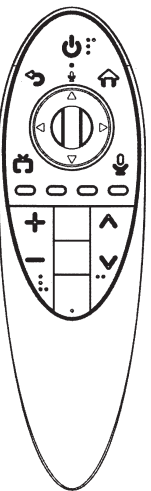
Notebook Screen

- 3 The laptop screen appears on the TV screen. The wireless environment may affect the screen display. If the connection is poor, the Intel WiDi connection may be lost.



# Magic Remote User Information

Model Name : AN-MR500G



KOREAN  
한국어

## 목 차

- 리모컨의 개요 및 재원
  - 개요
  - 재원
- 주의 사항
- 고객 지원

### 1. 리모컨의 개요 및 재원

- (1) 개요  
매직 리모컨의 사용 방법은 TV 매뉴얼을 참조하십시오. 이 리모컨은 사용자가 대내서 리모컨을 무선 마우스처럼 사용하여 TV를 제어할 수 있는 제품으로써, 기존 적외선 리모컨이 원상에서 위치한 제품을 제자리만 반듯이 대면 10m 이내에서 방향에 상관없이 제어 할 수 있는 2.4 GHz 대 RF 리모컨이다. (음성인식지원)

구 분	내 용
모델명	AN-MR500G
주파수 대역	2.400 GHz ~ 2.4835 GHz
채널	79 채널
수신 감도	-86 dBm
크기 (mm)	폭 47.3 x 두께 34.4 x 길이 152.7 (공차 ± 1 mm)
무게	71 g ± 5 g (건전지 포함하지 않음)
전원	AA 1.5 V 건전지 2개 사용
동작 온도	0 °C ~ 60 °C

### 2. 주의 사항

- 건전지를 교체한 후에는 리모컨 사용법에 따라 페어링 후에 사용한다.
- 건전지를 교체 후 동작하지 않는다면, 건전지를 제거 후 사용법에 따라 페어링을 재시도한다.
- 장기간 리모컨을 사용하지 않는 경우, 건전지를 제거해 두는 것이 좋다.
- 건전지를 분해하거나, 열을 가해서는 안 된다.
- 건전지를 떨어뜨리거나, 케이스가 손상될 정도로 극심한 충격을 주어서는 안 된다.
- 건전지를 물에 넣어서는 안 된다.
- 건전지를 기구로 삼았을 폭발의 위험이 있다.
- 지정된 장소에 사용한 건전지를 폐기 한다.

### 3. 고객 지원

TV 매뉴얼의 서비스 연락처를 참조하십시오.  
[KC 인증 마크 및 인증번호]



상 호 명 : 엘지전자(주)  
인증번호 : MSIP-CRM-LGE-MR500G  
제조연월 : 2014 .  
제조사(제조국가) : 엘지전자(주)/대한민국  
가자재의 환경/오염명 : 특장소속명  
무선기기(무선데이터통신시스템용 무선기기)/AN-MR500G

ENGLISH

## Table of Contents

- Overview and specification of the remote control
  - Overview
  - Specification
- Precautions
- Customer Support

### 1. Overview and Specifications for the Remote Control

- (1) Overview  
Instructions for using the Magic Remote control are in the TV manual. This remote uses RF (Radio Frequency) instead of IR (Infrared light), this remote will operate within 10m of the tv and does not require it be pointed at the tv.(voice recognition support)

### (2) Specifications

Categories	Details
Model No.	AN-MR500G
Range of frequency	2.400 GHz ~ 2.4835 GHz
Channel	79 channels
Reception sensitivity	-86 dBm
Dimensions (mm)	Width 47.3 x Thickness 34.4 x Length 152.7 (tolerance of ± 1 mm)
Weight	71 g ± 5 g (excluding battery)
Power source	AA 1.5 V, 2 alkaline batteries are used
Operational temperature range	0 °C ~ 60 °C

SIMPLIFIED CHINESE  
中文简体

- 遥控器的概要及所有因素
  - 概要
  - 规格表
- 注意事项
- 客户服务

## 目 录

- 遥控器的概要及所有因素
  - 概要
  - 规格表
- 注意事项
- 客户服务

- (1) 概要  
2.4GHz感应遥控器使用说明请参考电视用户手册。该遥控器为用户可以在家里仿佛使用无线鼠标般控制电视的开关,相比现有红外线遥控器只可控制于肉眼可见到的范围内产品,此遥控器是可以调控制家里10m以内,并且从任何方向均可调控制2.4 GHz范围内电视的RF遥控器。(支持语音识别)

### (2) 规格表

区 分	内 容
型号名称	AN-MR500G
频率范围	2.400 GHz ~ 2.4835 GHz
频道	79 频道
灵敏度	-86 dBm
大小 (mm)	宽度 47.3 x 厚度 34.4 x 长度 152.7 (公差 ± 1 mm)
重量	71 g ± 5 g (不包括干电池)
电源	AA 1.5 V, 使用2个碱性干电池
动作温度	0 °C ~ 60 °C

### 2. 注意事项

- 更换电池后, 请在根据遥控器使用方法调配后使用。
- 更换电池后如无法正常, 请在取下电池后再次做好调配。
- 长期停止使用遥控器时, 最好取下电池。
- 不得分解电池或对电池加热。
- 不得将掉落的电池或施加可能造成盖子受损程度的严重冲击。
- 不得将电池放入水中。

### 2. Precautions

- After replacement of the battery, use the remote control following pairing in accordance with user manual.
- If the unit does not operate after replacement of battery, take the battery out and reattempt pairing in accordance with the user manual.
- If the remote controller is not being used for prolonged period of time, it is recommended you remove the battery from the unit.
- Do not dismantle or exert heat to the battery.
- Do not drop battery or exert extreme impact that may even cause the case to be damaged.
- Do not immerse the battery in water.
- There is danger of explosion if a battery is inserted reversely.
- Properly dispose of used batteries.

### 3. Customer Support

Refer to the contact number for services provided in the TV Manual.

GERMAN  
DEUTSCH

## Inhalt

- Beschreibung und technische Spezifikation der Fernbedienung
  - Beschreibung
  - Technische Spezifikation
- Warnhinweise
- Kundendienst

### 1. Beschreibung und technische Spezifikation der Fernbedienung

- (1) Beschreibung  
Informationen zur Verwendung der Magic-Fernbedienung finden Sie in der Bedienungsanleitung Ihres Fernsehgeräts. Die Fernbedienung kann wie eine schmutzige Maus verwendet werden um den Fernseher zu bedienen. Im Gegensatz zu herkömmlichen Fernbedienungen mit denen der Fernseher nur aus kurzer Distanz bedient werden kann, kann man mit dieser RF Fernbedienung mit ihrem 2.4 GHz Frequenzbereich den Fernseher von irgendeiner beliebigen Richtung aus in Ihrem Haus und bei einem Abstand von bis zu 10 m bedienen. (Voice Recognition Unterstützung)

### (2) Technische Spezifikation

Klassifikation	Inhalt
Modell	AN-MR500G
Frequenzbereich	2.400 GHz ~ 2.4835 GHz
Kanal	Kanal 79
Empfängerleistung	-86dBm

- 电池反向插入时, 有发生爆炸的危险。
- 干电池要废弃到指定场所。

### 3. 客户服务

请参照TV说明书的服务联络处。

TRADITIONAL CHINESE  
中文繁體

## 目 錄

- 遙控器概要說明與規格表
  - 概要
  - 規格表
- 注意事項
- 客戶服務

### 1. 遙控器概要說明與規格表

- (1) 概要  
智慧遙控器的使用指示在電視的使用手冊中。無線接收器讓用戶在家享有使用無線滑鼠般的無線操控電視。相較現有的紅外線遙控器僅能控制在肉眼可見範圍內, 此無線遙控器遙控範圍在家中10公尺以內, 從任何方向均能操控手中的遙控器。(此遙控器支援語音識別功能)

### (2) 規格表

區 分	内 容
型號名稱	AN-MR500G
頻率範圍	2.400 GHz ~ 2.4835 GHz
頻道	79 頻道
靈敏度	-86 dBm
大小 (mm)	寬度 47.3 x 厚度 34.4 x 長度 152.7 (公差 ± 1 mm)
重量	71 g ± 5 g (不包括乾電池)
電源	AA 1.5 V, 使用2個鹼性乾電池
動作溫度	0 °C ~ 60 °C

Größe (mm)	Breite 47,3 x Höhe 34,4 x Länge 152,7 (Abweichung ± 1 mm)
Gewicht	71 g ± 5 g (ohne Batterien)
Leistungsquelle	AA 1,5 V, 2 Alkali-Batterien werden benötigt
Arbeitstemperatur	0 °C ~ 60 °C

### 2. Warnhinweise

- Nachdem Sie die Batterien ausgetauscht haben, verwenden Sie die Fernbedienung der Beschreibung folgend.
- Wenn die Fernbedienung nach dem Batteriewechsel nicht funktioniert, nehmen Sie die Batterien nochmal heraus und setzen Sie sie ordnungsgemäß ein.
- Wenn Sie die Fernbedienung für längere Zeit nicht benutzen, ist es besser die Batterien herauszunehmen.
- Zerlegen und erhitzen Sie die Batterien nicht.
- Lassen Sie die Batterien nicht fallen und üben Sie keinen übermäßigen Druck auf die Fernbedienung aus.
- Die Batterien sollen keinen Kontakt mit Wasser haben.
- Es besteht Explosionsgefahr wenn Sie die Batterien verkehrt einsetzen.
- Entsorgen Sie die Batterien an einem dafür vorgesehenen Ort.

### 3. Kundendienst

Die Kundendienst Rufnummer finden Sie in der Bedienungsanleitung des Fernsehers.

FRENCH  
FRANÇAIS

## Table des matières

- Aperçu et spécifications de la télécommande
  - Aperçu
  - Spécifications
- Précautions
- Support client

### 1. Aperçu et spécifications de la télécommande

- (1) Aperçu  
Les instructions d'utilisation de la télécommande Magic Remote se trouvent dans le manuel de la TV. Cette télécommande vous permet de contrôler votre téléviseur en l'utilisant comme une souris sans fil. Avec cette télécommande qui utilise la radiofréquence 2.4GHz, contrôlez votre écran jusqu'à une portée de 10m (reconnaissance vocale incluse).

### 2. 注意事項

- 更換電池後, 請同時參照遙控器的說明文件。
- 更換電池後若無法正常使用, 請將電池拔除再次裝上。
- 若長時間不使用遙控器, 請取下電池。
- 請勿自行拆解電池本體或對電池加溫。
- 電池脫落或使力過大將造成遙控器背蓋受損。
- 請勿將產品浸水。
- 電池倒反插時, 有可能造成爆炸的危險。
- 廢棄電池請回收到指定地點。

### 3. 客戶服務

請參照TV說明書內的服務聯絡電話。

RUSSIAN  
РУССКИЙ

## Содержание

- Краткое описание и технические параметры Дистанционного пульта управления
  - Краткое описание
  - Технические параметры
- Меры предосторожности
- Техническая поддержка

### 1. Краткое описание и технические параметры пульта дистанционного управления

- (1) Краткое описание  
Инструкции по использованию пульта ДУ Magic находятся в руководстве по эксплуатации телевизора. Данный дистанционный пульт управления может быть использован для управления телевизором подобно беспроводной мышки для компьютера, имеет радио частоту в 2.4 ГГц и в отличие от прежних моделей инфракрасных пультов, которые позволяли управлять только в пределах видимости, эта модель позволяет управлять в любом направлении в доме в радиусе 10 метров. (Поддержка распознавания голоса)

### (2) Технические параметры

Название	Содержание
Название модели	AN-MR500G
Диапазон радиочастот	2.400 ГГц ~ 2.4835 ГГц
Каналы	79 канала

### (2) Spécifications

Catégorie	Contenu
Nom de modèle	AN-MR500G
Zone de fréquences	2.400 GHz ~ 2.4835 GHz
Chaîne	79 chaînes
Réceptivité	-86 dBm
Dimensions (mm)	47,3 (L) x 34,4 (L) x 152,7 (E) (tolérances ± 1)
Poids (g)	71 g ± 5 g (non incluant les piles)
Secteur	AA 1,5 V, 2 piles alcalines
Température pour le fonctionnement	0 °C à 60 °C

### 2. Précautions

- Après avoir changé de batterie, procédez à la synchronisation de la télécommande en suivant le mode d'emploi.
- Si la télécommande ne fonctionne pas même après avoir changé de batterie, enlevez cette dernière, puis essayez à nouveau l'appareillement suivant le mode d'emploi.
- En cas de non utilisation de la télécommande pendant une longue période, il vaut mieux enlever la batterie.
- Ne pas laisser les piles près d'une source de chaleur
- Ne faites pas subir de choc à la télécommande, cela pourrait endommager son boîtier et son fonctionnement.
- Ne pas mettre les piles dans de l'eau
- vous introduisez les piles à l'envers il y a un risque de détérioration ou d'explosion
- Les piles usées doivent être jetées dans un endroit adapté

### 3. Support client

Veuillez consulter les coordonnées du service affichées dans le manuel de la télévision.

PORTUGUESE  
PORTUGUÊS

## Índice

- Introdução e especificações do controle remoto
  - Introdução
  - Especificações
- Cuidados
- SupORTE ao Cliente

Чувствительность сигнала	-86 дБм
Размеры (mm)	Ширина 47,3x Толщина 34,4 x Длина 152,7 (допуск ± 1мм)
Вес	71 гр. ± 5 гр (без батареек)
Источник питания	AA 1,5 V, щелочные батарейки 2 шт.
Рабочая температура	0 °C ~ 60 °C

### 2. Меры предосторожности

- При замене батарей необходимо следовать инструкции по применению пульта дистанционного управления.
- Если пульт не работает после замены батарей, необходимо вынуть их и еще раз установить в соответствии с инструкцией.
- Если пульт не используется в течение длительного времени, необходимо вынуть батареи.
- Не разбирайте и не подвергайте батареи воздействию высокой температуры.
- Не выкидывайте продукт или лишнему механическому воздействию, которое может привести к повреждению продукта.
- Избегайте контакта батареи с водой.
- Если батареи установлены неправильно, существует опасность повреждения устройства.
- Использованные батареи необходимо выбрасывать в специально отведенные места.

### 3. Техническая поддержка

По вопросам эксплуатации изделия и сервисного обслуживания обращайтесь в службу поддержки клиентов по телефону, указанному в инструкции по эксплуатации телевизора.

日本語  
日本語

## 目 次

- リモコンの概要と仕様
  - 概要
  - 仕様
- 注意事項
- カスタマーサービス

### 1. リモコンの概要と仕様

- (1) 概要  
マジックリモコンの操作方法は、テレビの取扱説明書に記載されています。マジックリモコンは、ワイヤレスマウスのように使用してテレビを操作できます。従来の赤外線リモコンでは、テレビの受光部にテレビに向けて操作する必要があるため、視線が遮られたらテレビは反応しません。2.4GHz無線電波を使用し、視線を遮られても、リモコンの向きを気にすることなく、操作することができます。(10m以内の距離で操作することが可能です。音声認識機能もサポートしています。)

### 1. Introdução e especificações do controle remoto

- (1) Introdução  
As instruções de utilização do Controle Magic Remote encontram-se no manual da TV. Este controle remoto é um produto similar a um rato sem-fios que permite controlar a TV. Difer dos outros telecomandos que podem apenas controlar os aparelhos em seu redor, este controle remoto de 2.4GHz RF, por sua vez, pode controlar-lhs, sem limitação, dentro de um raio de 10m. (Suporte de reconhecimento de voz)

### (2) Especificações

Conteúdo	Conteúdo
Nome do Modelo	AN-MR500G
Banda de Frequência	2.400 GHz ~ 2.4835 GHz
Canais	79 canais
Sensibilidade de Recepção	-86 dBm
Tamanho (mm)	L 47,3 x E 34,4 x A 152,7 (tolerância ± 1 mm)
Peso	71 g ± 5 g (sem baterias)
Alimentação	AA 1,5 V, utiliza-se 2 pilhas alcalinas
Temperatura de uso	0 °C à 60 °C

### 2. Cuidados

- Após troca de pilhas deve emparelhar novamente o comando com o aparelho.
- Se o comando remoto não funcionar após a troca de pilhas, remova-as e tente novo emparelhamento de acordo com o manual do controle remoto.
- Se não utilizar o controle remoto por alargados períodos é recomendado remover as pilhas.
- Não desmonte ou aqueça as pilhas.
- Não deixe cair as pilhas ou que estão sofram qualquer impacto forte.
- Não molhe as pilhas.
- Perigo de explosão se colocar as pilhas na posição errada.
- Coloque as pilhas em local recomendado.

### 3. Suporte ao Cliente

Ver dados para contato impresso no Manual de TV.

SPANISH  
ESPAÑOL

## Índice

### 1. Sumario y especificaciones del control remoto

- Sumario
- Especificaciones

### 2. Cuidados

### 3. Soporte al cliente

- (1) Sumario  
Las instrucciones para utilizar el mando a distancia Mágico están en el manual de la TV.  
Este control remoto es un producto para controlar la TV usándolo como un ratón inalámbrico dentro de la casa del usuario que, a diferencia de los control remotos a rojo infrarrojo convencionales que controlaban los productos ubicados dentro del radio de la visión, es un control remoto RF de 2.4 GHz que puede controlar dentro de un radio de 10 m sin importar la dirección. (Reconocimiento de voz de apoyo)

### (2) Especificaciones

Item	Conteúdo
Modelo	AN-MR500G
Banda de frecuencia	2.400 GHz ~ 2.4835 GHz
Canal	79 canales
Grado de recepción	-86 dBm
Dimensiones (mm)	Ancho 47,3 x espesor 34,4 x largo 152,7 (Dif. ± 1 mm)
Peso	71 g ± 5 g (sin las pilas)
Energía	AA 1,5 V, 2 pilas alcalinas
Temperatura de operación	0 °C ~ 60 °C

### 2. Cuidados

- después de colocar las pilas, hay que emparejar el mando con el televisor de acuerdo con las instrucciones.
- si no funciona después de colocar las pilas, reintente emparejar el mando.
- Si no utiliza el control remoto por un tiempo prolongado, es recomendable quitar las pilas.
- No desarme las pilas ni aplique calor.
- No deje caer las pilas ni golpee la caja para evitar dañarla
- No sumerja las pilas en agua.
- No coloque las pilas al revés ya que hay peligro de explosión.
- Desheche las pilas usadas en los lugares establecidos.

### 3. Soporte al cliente

Vea las direcciones y los teléfonos de servicio en el manual de la TV.



## CONNECTING VIA HDMI

- All HDMI ports support 4K resolution.  
(For the detailed specifications of each port, refer to the table below.)
- The **HDMI3** port is only for 4K at 60Hz resolution.
  - When you connect to the **HDMI3** port, use the HDMI cable provided.
  - If the connected device to the **HDMI3** port does not support 4K at 60Hz resolution, the TV images can be unstable.  
(HDMI specifications may be different for each input port, so make sure to check the device specifications before connecting.)
  - When using a device that supports 4K at 24Hz or 30Hz resolution, connect to the **HDMI1**, **HDMI2** or **HDMI4** ports.

### 4K@ 60Hz Support Format

Resolution	Frame rate (Hz)	Color Depth / Chroma Sampling		
		8 bit	10 bit	12 bit
3840 X 2160p 4096 X 2160p	59.94 60.00	YCbCr 4:2:0	YCbCr 4:2:0 <sup>1</sup>	
		YCbCr 4:2:2 <sup>1</sup>		
		YCbCr 4:4:4 <sup>1</sup>	-	-
		RGB 4:4:4 <sup>1</sup>	-	-

<sup>1</sup>Supported at HDMI3 Port only

## BRANCHEMENT PAR HDMI

- Tous les ports HDMI prennent en charge la résolution 4K.  
(Pour connaître les caractéristiques techniques de chaque port, reportez-vous au tableau ci-dessous.)
- Le port **HDMI3** est réservé à la résolution 4K à 60 Hz.
  - Lorsque vous branchez un appareil au port **HDMI3**, utilisez le câble HDMI fourni.
  - Si l'appareil branché ne prend pas en charge la résolution 4K à 60 Hz, il se peut que la qualité de la vidéo fluctue.  
(Les caractéristiques HDMI peuvent différer d'un port d'entrée à l'autre. Par conséquent, vérifiez les caractéristiques de l'appareil avant de le brancher.)
  - Lorsque vous utilisez un appareil prenant en charge la résolution 4K à 24 Hz ou à 30 Hz, branchez-le au port **HDMI1**, **HDMI2** ou **HDMI4**.

### Format avec prise en charge 4K à 60 Hz

Résolution	Fréquence d'image (Hz)	Profondeur des couleurs / Échantillonnage chromatique		
		8 bits	10 bits	12 bits
3840 X 2160p 4096 X 2160p	59,94 60,00	YCbCr 4:2:0	YCbCr 4:2:0 <sup>1</sup>	
		YCbCr 4:2:2 <sup>1</sup>		
		YCbCr 4:4:4 <sup>1</sup>	-	-
		RGB 4:4:4 <sup>1</sup>	-	-

<sup>1</sup>Uniquement compatible avec le port HDMI3



\* M B M 6 4 5 1 7 4 1 1 \*

## CONEXIÓN A TRAVÉS DE HDMI

- Todos los puertos HDMI son compatibles con la resolución 4K.  
(para especificaciones detalladas de cada puerto, consulte la siguiente tabla.)
- El puerto **HDMI3** solo es para resolución 4K a 60 Hz.
  - Al conectarse al puerto **HDMI3**, use el cable HDMI incluido.
  - Si el dispositivo conectado no es compatible con la resolución 4K a 60Hz, las imágenes de la TV pueden ser inestables.  
(Las especificaciones de HDMI pueden ser diferentes para cada puerto de entrada, así que debe asegurarse de revisar las especificaciones del dispositivo antes de conectarlo.)
  - Al usar un dispositivo que es compatible con la resolución 4K a 24Hz o 30Hz, conéctelo a los puertos **HDMI1**, **HDMI2** o **HDMI4**.

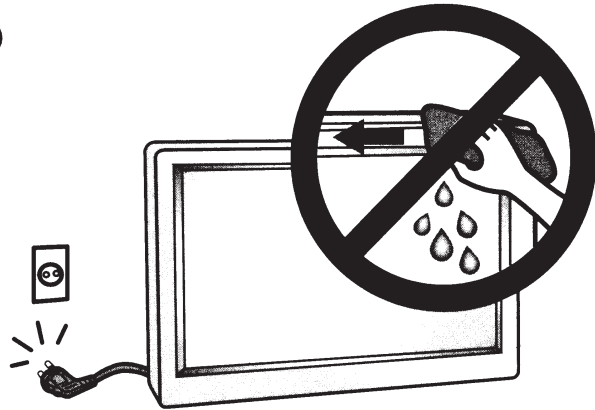
### Formato compatible con 4K@ 60 Hz

Resolución	Frecuencia de imagen (Hz)	Profundidad de color / Muestreo de crominancia		
		8 bit	10 bit	12 bit
3 840 X 2 160 progresivo	59,94	YCbCr 4:2:0	YCbCr 4:2:0 <sup>1</sup>	
		YCbCr 4:2:2 <sup>1</sup>		
4 096 X 2 160 progresivo	60,00	YCbCr 4:4:4 <sup>1</sup>	-	-
		RGB 4:4:4 <sup>1</sup>	-	-

<sup>1</sup>Sólo es compatible en el puerto HDMI3



Be careful when cleaning the TV screen.



- Make sure to wring any excess water or cleaner from the cloth.
- Do not spray water or cleaner directly onto the TV screen.
- Make sure to spray just enough of water or cleaner onto a dry cloth to wipe the screen.



P/NO : MBM63882502 (1402-REV01)  
Printed in Mexico

Please direct all service-related questions or comments to [www.lgusa.com/support](http://www.lgusa.com/support) or call 1.800.243.0000

CMZ01  
LG Electronics



First-Class postage required. Post Office will not deliver without proper postage.



PO BOX 174355  
DENVER CO, 80217-4355



← FOLD →



PROTECT YOUR INVESTMENT  
DON'T FORGET TO REGISTER!

online at [www.lgusa.com/register](http://www.lgusa.com/register) **OR** Fill out and return this card

Registering is important, quick and easy!

Thank you for purchasing an LG product! We hope you are enjoying your new product and look forward to sharing some insider tips and tricks with you soon. Registering your LG product is simple and also serves as a verification of ownership if your product is stolen or lost.

In addition, you'll receive the following benefits and many more:

- Helpful emails on how to make the most of your product
- Reminders about product downloads and firmware
- More efficient warranty service
- Exclusive information on new products and innovations
- Special offers and promotions



Welcome to the LG family!

Please seal with tape. Do not staple.



\* 3 8 4 0 V A 0 0 4 2 G \*

P/N: 3840VA0042G (1312-REV07)  
Printed in Mexico



# PROTECT YOUR INVESTMENT DON'T FORGET TO REGISTER!

online at [www.lgusa.com/register](http://www.lgusa.com/register) **OR** Fill out and return this card  
within the next 10 days

---

1.  Mr.  Mrs.  Ms.  Miss

First name

Initial

Last name

Street

Apt

City

State / Province

ZIP / Postal Code

Email address

2. Telephone number  
(       )       -

4. Model number

3. Date of purchase

/       /

Month

Day

Year

5. Serial number

6. Name of store where purchased



LG Electronics, Inc.  
LCD / LED Television Limited Warranty - USA

Your LG Electronics ("LG") LCD / LED Television ("unit") will be repaired or replaced, at LG's option, if it proves to be defective in material or workmanship under normal use, during the warranty period ("Warranty Period") listed below, effective from the date ("Date of Purchase") of original consumer purchase of the unit. This warranty is good only to the original purchaser of the unit and effective only when used in the United States, excluding U.S. Territories.

WARRANTY PERIOD	HOW SERVICE IS HANDLED
<p><b>LABOR: One (1) Year</b> from the Date of Purchase.</p> <p><b>PARTS: One (1) Year</b> from the Date of Purchase.</p> <p>Replacement Units and Repair Parts may be new or factory remanufactured.</p> <p>Replacement Units and Repair Parts are warranted for the remaining portion of the original unit's warranty period.</p>	<p><b>Please retain</b> dealer's dated bill of sale or delivery ticket as evidence of the Date of Purchase for proof of warranty, and submit a copy of the bill of sale to the service person at the time warranty service is provided.</p> <p><b>CONSUMER USER</b>  <b>Please Call 1-800-243-0000</b> for instructions on getting the defective unit repaired or replaced.            Visit our website at:  <a href="http://www.lg.com">http://www.lg.com</a></p> <p><b>COMMERCIAL USER</b>  <b>Please Call (888) 865-3026</b> for instructions on getting the defective unit repaired or replaced.            Visit our website at:  <a href="http://www.lg.com/us/commercial/display">http://www.lg.com/us/commercial/display</a></p>

**THIS WARRANTY IS IN LIEU OF ANY OTHER WARRANTY, EXPRESS OR IMPLIED, INCLUDING WITHOUT LIMITATION, ANY WARRANTY OF MERCHANTABILITY OR FITNESS FOR A PARTICULAR PURPOSE. TO THE EXTENT ANY IMPLIED WARRANTY IS REQUIRED BY LAW, IT IS LIMITED IN DURATION TO THE EXPRESS WARRANTY PERIOD ABOVE. NEITHER THE MANUFACTURER NOR ITS U.S. DISTRIBUTOR SHALL BE LIABLE FOR ANY INCIDENTAL, CONSEQUENTIAL, INDIRECT, SPECIAL, OR PUNITIVE DAMAGES OF ANY NATURE, INCLUDING WITHOUT LIMITATION, LOST PROFITS, LOST OR CORRUPTED PROGRAMMING OR DATA, OR ANY OTHER DAMAGE WHETHER BASED IN CONTRACT, TORT, OR OTHERWISE.** Some states do not allow the exclusion or limitation of incidental or consequential damages or limitations on how long an implied warranty lasts, so the above exclusion or limitation may not apply to you. This warranty gives you specific legal rights and you may also have other rights that vary from state to state.

**THIS LIMITED WARRANTY DOES NOT APPLY TO:**

<ul style="list-style-type: none"> <li>• damage caused in shipping or transit</li> <li>• service required as a result of improper installation, including incorrect or insufficient AC supply (please consult the owner's manual for power supply requirements).</li> <li>• installation or repair of antenna systems, cable converters, cable company supplied equipment, or other components in a video system</li> <li>• set-up or adjustment on consumer controls, or damage caused by improper adjustments</li> <li>• damage caused by other system components</li> <li>• any unit that has been modified or incorporated into any other unit.</li> <li>• replacement of batteries on the remote control.</li> </ul>	<ul style="list-style-type: none"> <li>• damage (including cosmetic damage), failure, loss or personal injury due to misuse, abuse, negligence, improper maintenance or storage, or to acts of nature or other causes beyond our control. (Causes beyond our control include but are not limited to lightning strike, power surges, power outages and water damage.)</li> <li>• image burn-in</li> <li>• repair or replacement of warranted parts by other than an LG authorized service centers.</li> <li>• units purchased or serviced outside of the U.S.A.</li> <li>• units where the original factory serial numbers have been removed, defaced or changed in any way.</li> <li>• units sold and labeled as "as is, where is" or similar disclaimer.</li> </ul>
---	--

The cost of repair or replacement under these excluded circumstances shall be borne by the consumer.

**CUSTOMER INTERACTIVE CENTER NUMBERS**

<p><b>To obtain Customer Assistance, Product Information, or Dealer or Authorized Service Center location:</b></p>	<p><b>CONSUMER USER</b> Please call <b>1-800-243-0000</b> and select the appropriate option from the menu. <b>Or visit our website at:</b> <a href="http://www.lg.com">http://www.lg.com</a></p> <p><b>COMMERCIAL USER</b> Please call <b>(888) 865-3026</b> and select the appropriate option from the menu. <b>Or visit our website at:</b> <a href="http://www.lg.com/us/commercial/display">http://www.lg.com/us/commercial/display</a></p>
--	---

**CONCERNING PIXEL FUNCTIONALITY:** Your LCD/LED television contains hundreds of thousands of individual pixels. LCD/LED displays typically contain a small number of pixels that do not function normally. Your display has been inspected and is in compliance with manufacturer's specifications, indicating that any pixel defects do not effect the operation or use of your display.

**BEFORE CALLING FOR SERVICE:**

Please have your unit's model number, serial number, and the date of purchase available. Under some circumstances you may be asked to provide credit card information for a non-warranty service fee, as a deposit for advanced shipment, or cost of unreturned loaner unit. If a replacement unit is received, please use the carton and packaging from that replacement unit in returning the defective unit to an LG authorized service center. Parts and service in accordance with the LG warranty is LG's responsibility and will be provided without charge. Other service requirements will be at the owner's expense. If you have problems in obtaining satisfactory warranty service, write or call the LG Customer Interactive Center. To assure proper credit and avoid unnecessary charges, you must obtain a Return Authorization before returning any unit to the Factory Service Center. Contact the Customer Interactive Center for details.

Service for your LG Television is provided through LG Electronics Alabama, Inc., the authorized LG Service Center for the United States.

**TO CONTACT LG ELECTRONICS BY MAIL:**

LG Customer Interactive Center  
P. O. Box 240007  
201 James Record Road  
Huntsville, Alabama 35824  
ATTN: CIC

LG LCD/LED Televisions are marketed and distributed in the United States by:  
LG Electronics U.S.A., Inc., 1000 Sylvan Avenue, Englewood Cliffs, NJ 07632

