

(6) Formatting

If installing new drives, the volumes must be formatted before they are accessible.

To format using MAC OS:

<http://oyendigital.com/mac-reformat>

To format using Windows:

<http://oyendigital.com/windows-reformat>

Note: If you purchased the Fortis with **SoftRAID**, do not use the methods above. Instead, use SoftRAID to initialize and create the volume. For video instructions, visit: <https://tinyurl.com/oyen-sofraid>

(7) Sleep

If there is no HDD activity, the computer may put the Fortis to sleep (LEDs off, HDDs spin down) depending on the energy saver settings of the computer. The Fortis will wake up when accessed.

(8) Ejecting the Drives

To prevent potential data corruption, it is important to properly eject the storage volume(s).

Mac: Close all windows and applications that are accessing the drive. Drag the drive icon to the Trash/Eject icon to dismount it. The activity LED will cycle on/off and the HDD will spin down.

Windows: Close all applications that are accessing the drive. Click the “Eject Hardware” (Safely Remove) icon in the system tray and select the drive. The activity LED will cycle off and the drive will spin down.

(9) Warranty Information

This product includes a three (3) year repair/replacement warranty provided by Oyen Digital. This warranty is non-transferable and is limited to the original purchaser. Note: The warranty is 3 years if the Mobius is purchased with hard drives installed by Oyen Digital.

Warranty service may be requested by completing the form at the following link: www.oyendigital.com/rma-request-form.html

For our complete warranty policy, visit: www.oyendigital.com/warranty.html

(10) Troubleshooting and FAQ

1) Is the Fortis 5C compatible with Thunderbolt 2 using a Thunderbolt 3 adapter?

No, the Fortis 5C is not compatible with Thunderbolt 2 using an adapter of any make or model.

3) I do not see the hard drives.

Connect the Fortis directly to a port on the computer and bypass any hubs, docks, or adapters. Also, make sure the drives are formatted. See section 6.

4) Can I configure a RAID using the Fortis 5C?

The Fortis 5C is not a hardware RAID system, however a RAID may be created using a software RAID application such as Disk Utility (Mac), Storage Spaces (Win), or SoftRAID.

5) Are the trays interchangeable?

All trays are interchangeable except for tray 1, which will only fit into the top slot.

For other questions please contact tech support or visit the FAQ section of our Web site (www.oyendigital.com/support).

Technical Support: info@oyendigital.com

(11) Safety and Compliance

Location and placing precautions

- Avoid positioning it in locations with direct sunlight or other sources of heat with high temperatures (over 120° F).
- Do not expose the product to water or humid conditions.
- Do not move the device while it is powered on.
- Do not operate the device in any position other than the upright position.
- To allow proper ventilation, do not block or disable the fan.

Electricity and power adapter

When removing the power cable from the socket, always pull on the plug fixture and never on the cable.



Fortis 5C User Guide

Table of Contents

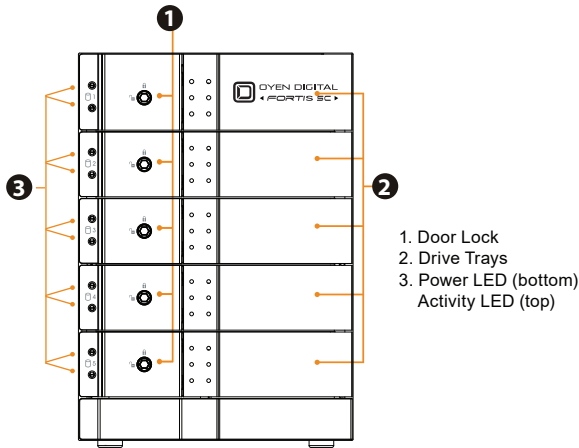
1	Specifications
2	Detailed View
3	Installing Hard Drives
4	Connecting to a Computer
5	Door Lock
6	Formatting
7	Sleep
8	Ejecting the Drives
9	Warranty Information
10	Troubleshooting and FAQ
11	Safety and Compliance

(1) Specifications

Supported Drives	• 2.5" or 3.5" SATA HDD/SSD
Interface/Ports	• 1 x USB-C Port
System Requirements	• Windows, Mac, Linux
Operating Environment	• Temperature: 5°C ~ 70°C
Dimensions	• 8.3 x 4.9 x 6.8 inches

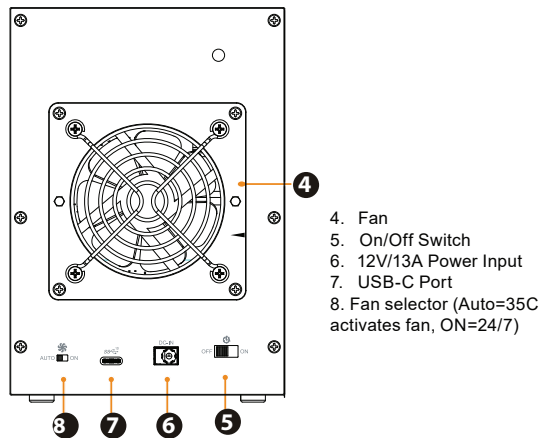
Includes: Fortis 5C, power supply, USB-C & USC-A cable, screw pack (3.5" & 2.5"), key set

(2) Detailed View



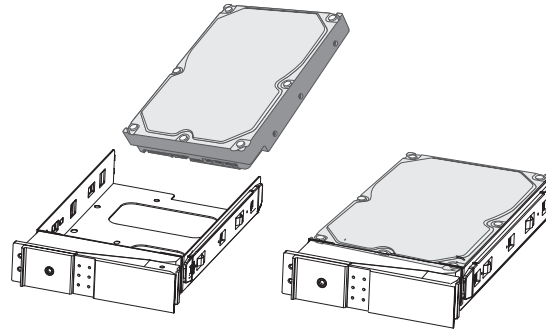
LEDs:

Condition	LED
Powered & Data Link Established	Power LED (bottom) - Solid white
Read/Write activity	Activity LED (top) - Blinking blue
HDD Sleep	Both LEDs - Off



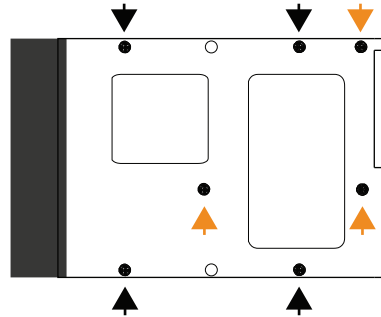
(3) Installing Hard Drives (Enclosure Version)

Installing: Place a drive into a tray and slide onto the SATA connector. Attach the drive to the tray using the included mounting screws.

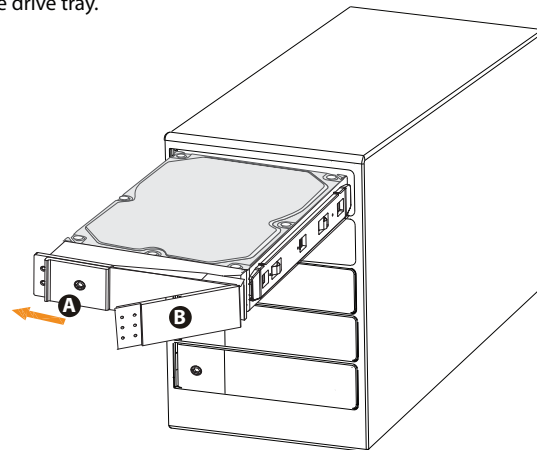


Bottom Tray View:

- ➔ 3.5-inch mounting holes (may vary based on drive model)
- 2.5-inch mounting holes (3 holes total)

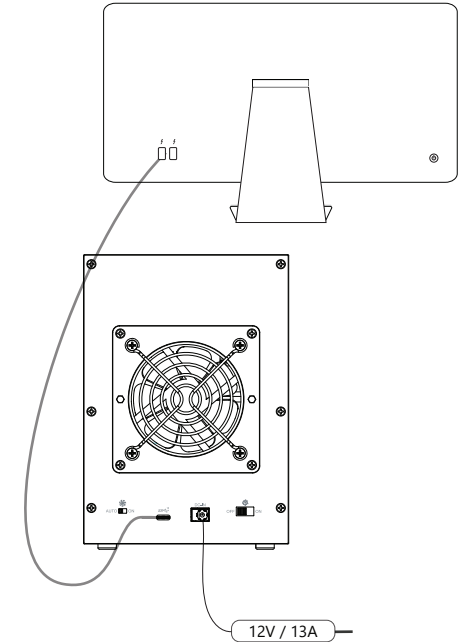


To insert or remove the tray: Slide the door latch (A) to the left to release the door lever (B). Gently slide the tray in or out of the bay.
Note: The door lever (B) must be open when removing or inserting the drive tray.



(4) Connecting to a Computer

1. Connect the power adapter to the DC-IN input on the Fortis.
2. Connect the USB-C cable to the port on the Fortis.
3. Connect the other end of the cable to the computer.
4. Turn on the power switch.
5. The Fortis powers up and the drives will mount to your computer if formatted.



(5) Door Lock

Locking: Use the included key to lock the door if desired. It is recommended to always lock the doors when transporting the unit.

