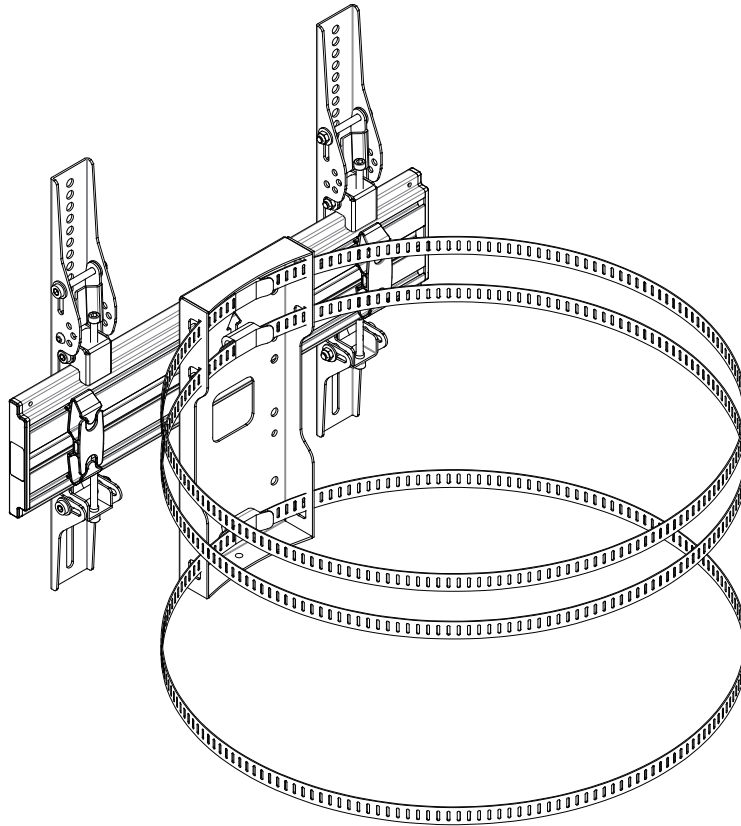


# Wall mount Column

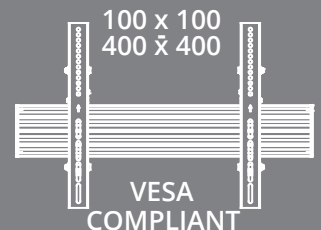
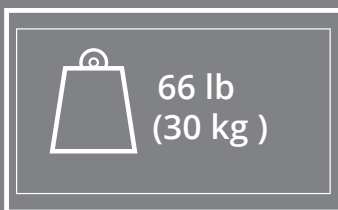


MI-20810

## MOUNT-IT! PRO

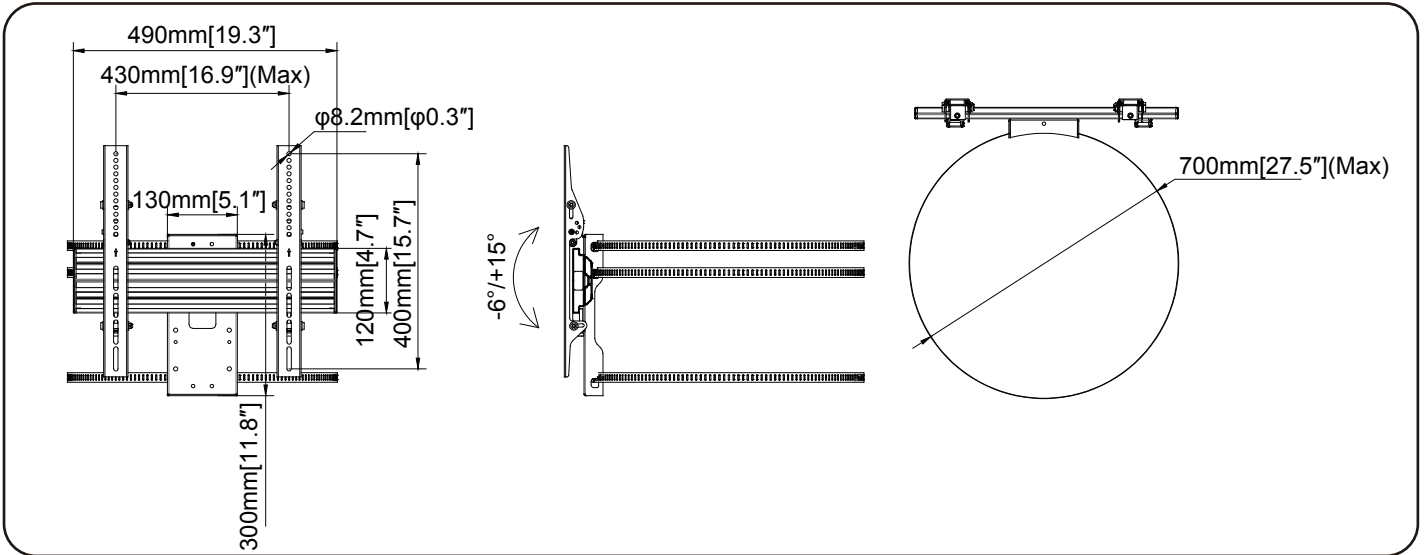
COMMERCIAL DISPLAY MOUNTING SOLUTIONS

### INSTALLATION INSTRUCTIONS



For installation assistance or questions, please contact us at [support@mount-it.com](mailto:support@mount-it.com) or (858) 925 5668.

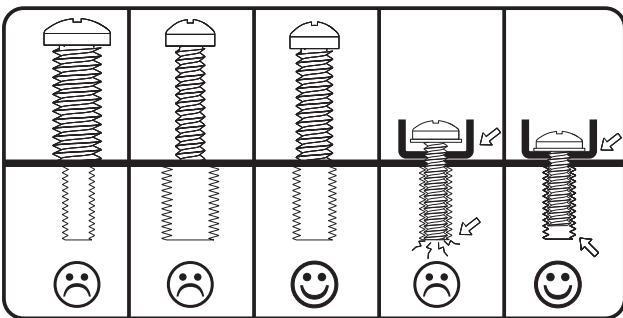
# Dimensions



## CAUTION

The maximum loading weight is 60 lbs (30kg). This mount is intended for use only with the maximum weights indicated. Use with products heavier than the maximum weights indicated may result in instability causing possible injury. The wall you plan to affix the MI-20810 mount to must be also able to support more than 5 times the weight of the television and the mount combined. Do not use this product for any purpose other than to mount a VESA compliant TV on a vertical surface as outlined in this manual. Improper installation may cause damage to your TV or serious injury. This product should not be mounted on steel stud walls or cinder block walls. Consult a qualified installation contractor if you are unsure about the type of wall you may have.

## Select TV Screws



The back of your TV has 4 screw holes in a square or rectangular pattern. This is where the mount will attach to your TV. We provides several sizes and lengths of screws. This guide will help you select the right screws for your TV. You will only use 4 of the provided screws to attach your TV - the rest are not needed.

## Parts list

M5X15	M6X15	M8X25	Ø16XØ6.2X1.5	M8X45	Ø16XØ8.2X1.5	Ø13XØ8.2X13
X4	X4	X4	X4	X4	X4	X4
A1	A2	A3	A4	A5	A6	A7

X1

	M8 	M8X10 	5mm 	
X5	X4	X4	X1	X1
B1	B2	B3	B4	B5

AA 	BB 480mm 	CC 	DD 7m 	EE 	FF M5 
X2	X1	X1	X1	X2	X2

# Installation

