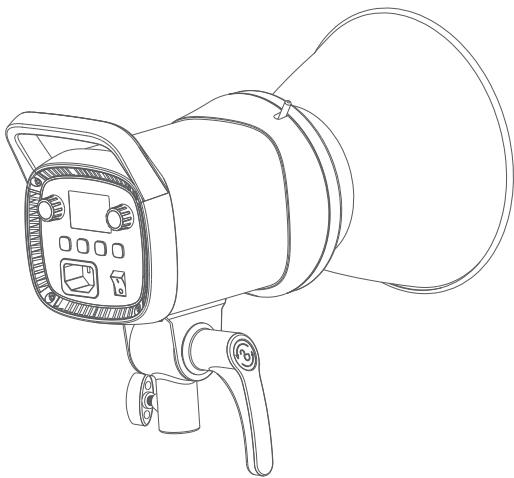


# Godox



## SL60II Bi

双色温LED摄影灯

Bi-color LED Video Light

使用手册

Instruction Manual

## Safety Instructions and Attentions

**First of all, as the most basic principle: This product is a professional lighting set equipment and should be used by professional lighting engineers or under the guidance of professionals. Basic safety attentions must always be followed during use, as follows:**

1. Before use, please read and understand these instructions and attentions.
2. Professional lighting is prohibited for children. When children are near, parents or accompanying persons must supervise closely to prevent children from personal injury due to collision with lamps or private use of lamps.
3. This lighting product is not ordinary lighting product and cannot be used for general lighting. Anyone who has suffered eye damage or has sensitive eyes should avoid using this product.
4. When the lamp is on, it must be used with care. Do not touch high-temperature parts, such as LED lamp beads, to avoid burns.
5. When the lamp is on, it is forbidden to look directly at the lamp beads under any circumstances. Strong light should be used under the guidance of professional lighting engineers. Avoid prolonged exposure to strong light under any circumstances. If eye discomfort, please turn off the lamp in time, suspend use, and see a doctor immediately.
6. If the lamp bead is damaged or deformed by heat, stop using this equipment, and contact the manufacturer, service agent or qualified maintenance personnel to replace the lamp bead in time to avoid accidents.
7. This product is only suitable for use in  $-10^{\circ}\text{C}$  to  $40^{\circ}\text{C}$  operating environment and normal humidity environment.
8. Do not use damaged equipment or accessories, and wait for professional maintenance personnel to check and repair to confirm being normal before use.
9. During using, if the casing of this product is broken due to being dropped, squeezed or subjected to strong impact, please do not use it, so as to avoid electric shock injury due to contact with internal electronic components.
10. If an extension cord is required, please use an extension cord with a current rating greater than or equal to that of the equipment. If an extension cord is rated less than the equipment, overheating may result.
11. Some products have long power cords, please place the power cords properly and keep them in a safe place. Avoid contacting the power cord with overheating surfaces, avoid improper placement that could cause pulling damage, or trip on-site personnel. Please use the certified power cord from the original manufacturer. If the product is damaged by using a non-certified power cord, it will not be repaired by our factory.
12. Be sure to unplug equipment from the power outlet before cleaning and repairing. When not in use, do not pull the power cord to unplug the equipment. For normal power-off, please hold both ends of the plug of the equipment with your hands and pull the plug out of power outlet. This equipment needs to be connected to a grounded outlet.
13. This equipment is not waterproof, please keep it dry and do not immerse it in water or other liquids. The equipment should be installed in a dry and ventilated place, and avoid using it in rainy, humid, dusty or overheated environments. Do not place any objects on the lamp or let liquid flow into the

lamp to avoid accidents.

14. Do not disassemble the product without permission. If the product fails, it must be checked and repaired by authorized maintenance personnel.

15. Before storing, make sure that the equipment has cooled down completely. For storage, unplug the power cord from the equipment. The equipment should be placed in the carrying case or in a ventilated dry place.

16. Do not place equipment near flammable and volatile solvents such as alcohol and gasoline.

17. Do not use accessories that are not recommended by our factory to avoid fire, electric shock or personal injury.

18. When cleaning, do not wipe it with a damp cloth, please use a dry cloth or a soft cloth to wipe the dirt of the equipment.

19. Please take off the protective cover before using.

20. This product complies with ROHS, CE and FCC certification, please refer to the relevant national standards for use and operation.

21. The safety instructions are formulated according to the strict testing of the factory, and the design and specifications of the equipment are subject to change without prior notice. For latest product information, please check the GODOX website and view latest electronic instruction.

22. Some products have built-in lithium batteries. Please use specified chargers, and use them within a proper range of the specified voltage and temperature according to the correct operating instructions.

23. Some products are battery powered. Do not use any batteries, power sources or accessories not specified in the instructions for such products. Keep batteries and other accessories out of the reach of children and infants. In the instance that a child or infant swallows a battery or accessory, immediate emergency medical attention is required. If the battery leaks, becomes discolored, deformed, emits smoke, or emits an abnormal odor, remove it immediately. Be careful during removal to avoid burns. Continued use could result in fire, electric shock, or burns. Do not use any deformed or modified batteries. Do not disassemble or modify this product or battery. Do not heat or solder the battery. Keep the battery away from fire or water. Do not incorrectly insert the positive and negative ends of batteries, or mix old and new batteries or batteries of different types together.

24. One-year warranty period, accessories such as consumable batteries, adapters, power cords, etc. are not covered by this warranty.

25. If it is found that the equipment is repaired without authorization, the one-year warranty period will be cancelled and relevant fees will be charged for maintenance.

26. Machine failures caused by non-standard operation are not covered by the warranty.

## keep these instructions!

## Forward

Thank you for purchasing!

SL Series Bi-color LED Video Light SL60IIbi is suitable for live recording, video shooting, still life shooting, and many other occasions with stable light resource, adjustable color temperature, super high CRI, 2.4G wireless control and Bluetooth APP control.

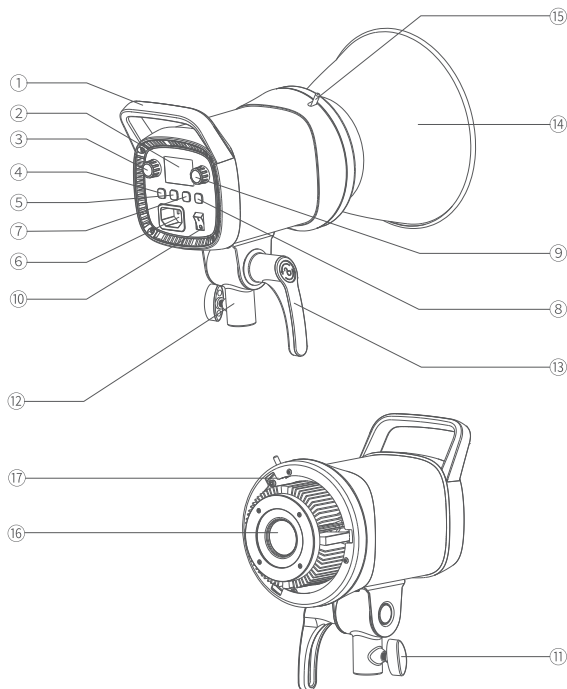
## Main Features:

- Color temperature adjustable from 2800K to 6500K.
- With 11 FX special effects mode to simulate various of shooting scenes.
- Can be remote controlled by Bluetooth APP and 2.4G.
- With stable light source and adjustable light brightness from 0% to 100%.
- BOWENS mount supports various of accessories.
- Super high color rendering index (CRI≥96, TLCI≥97).

## Warning

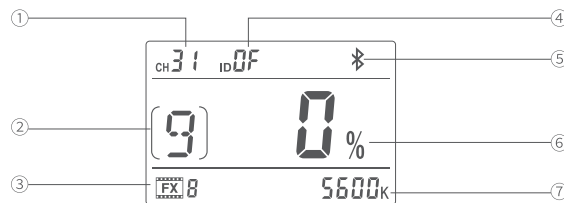
- ⚠ Do not look directly at the light source.
- ⚠ The luminaire is intended for professional use only.
- ⚠ Keep out of reach of children.
- ⚠ Please take off the lamp cover before using.
- ⚠ Do not leave or store the product if the ambient temperature reads over 40°C.
- ⚠ Do not fire directly against human eyes as it may cause visual impairment.
- ⚠ Please use the original power cable, damages caused by using other cables will invalidate the warranty.
- ⚠ As this product do not have waterproof function, please take measures of waterproof in rainy or damp environment.
- ⚠ Always keep this product dry. Do not use in rain or in damp conditions.
- ⚠ Do not use the product in the presence of flammable gases, chemicals and other similar materials.
- ⚠ The light source contained in this luminaire shall only be replaced by the manufacturer or his service agent or a similar qualified person.
- ⚠ Do not disassemble. Should repairs become necessary, this product must be sent to an authorized maintenance center.

## Name of Parts



- |                       |                     |                                 |
|-----------------------|---------------------|---------------------------------|
| 1. Handle             | 7. CH Button        | 13. Direction Adjusting Bracket |
| 2. LCD Panel          | 8. Bluetooth Button | 14. Reflector                   |
| 3. CCT/FX Select Dial | 9. DIM Dial         | 15. Accessory Locking Ring      |
| 4. FX Button          | 10. Power Switch    | 16. LED Beads                   |
| 5. GR Button          | 11. Fixing Knob     | 17. Bowens Mount                |
| 6. Power Jack         | 12. Sleeve          |                                 |

## LCD Panel



- 1.Channel 2.Group 3.Light Effects 4.ID 5.Bluetooth  
6.Brightness Adjustment Ratio 7.CCT Value

## What's in the Box



Note: Due to continuous updates and upgrades of the products, there may be differences between the actual products and the pictures. Therefore, the pictures are for reference only.

## Optional Accessories

The product can be used in combination with the following accessories sold separately, so as to achieve best photography effects: RC-A6 Remote Control, Softbox, Light Stand, etc.



## Operation Instruction

### 1. Power Source

Connect the LED light to power source with power cable. Then, press the power switch to turn it on/off.

## 2. Brightness Adjustment

Turn the DIM dial to adjust brightness from 0% to 100%. Turn leftwards to decrease the brightness value by 1 unit while rightwards to increase by 1 unit, with quick adjustment available.



## 3. Color Temperature Adjustment

In LED continuous lighting mode (FX icon will not display), turn the CCT/FX select dial to adjust color temperature from 2800K to 6500K. Turn the dial leftwards to decrease the CCT value by 100 unit while rightwards to increase the CCT value by 100 unit, with quick adjustment available.

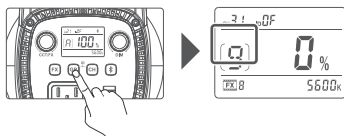
## 4. FX Mode

Short press the FX button to enter or exit the FX mode. When exiting the FX modes, FX icon will not be displayed on the LCD panel. While the FX icon will be displayed when entering the FX mode. Then, turn the FX select dial to choose one mode among the 11 special effects modes to achieve creative shooting.

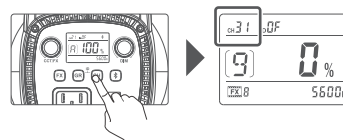
Display	FX1	FX2	FX3	FX4	FX5	FX6	FX7	FX8	FX9	FX10	FX11
Scene	Flash1	Flash2	Flash3	Storm1	Storm2	Storm3	TV	Broken bulb	Candle	Fire	Firework

## 5. 2.4G Wireless Setting

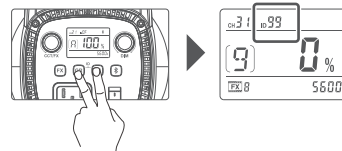
**5.1 Group setting:** Short press the GR button and the GR values will be blinking on the display. Turn the DIM dial to adjust groups from 0 to 9 and A to F, turn the dial leftwards to decrease the value while rightwards to increase. Then, short press the GR Button again to exit from GR setting.



**5.2 Channel setting:** Short press the CH button and the CH values will be blinking on the display. Turn the DIM dial to adjust channels from 1 to 32, turn the dial leftwards to decrease the value while rightwards to increase. Then, short press the CH button again to exit from CH setting.



**5.3 ID setting:** Long press the CH and GR button together until the ID values is blinking on the display. Turn the DIM dial to adjust IDs from OFF and 1 to 99, turn the dial leftwards to decrease the value while rightwards to increase. Then, long press CH and GR button again to exit from ID setting.



## 6. Bluetooth Setting

**6.1 Bluetooth MAC code checking:** Short press the Bluetooth button once and the Bluetooth MAC code is displayed.

**6.2 Bluetooth reset:** Long press the Bluetooth button until the Bluetooth icon is blinking because of resetting. And the icon will stop blinking in 4 seconds after being successfully reset.

**6.3 Connect to smartphone:** Scan the QR code to download the "Godox Light" smartphone APP (can be used in Android and Apple). For more smartphone APP operations, please open the "help" in APP to gain detailed guidance.



Note: The APP can be used directly on the firstly installed device (smartphone or iPad). When change to other mobile device (smartphone or iPad), the light shall be reset before the normal connection of APP.

## Failures Reminder



lighting indicates fan failure.



flashing indicates failure.



lighting indicates high temperature alarm.



flashing indicates high temperature protection status and light automatically enters the shutdown procedure.

## Illuminance Data

CCT	Testing Condition	Unit	1m	2m	3m
2800K	Bare lamp	lux	1840	472	220
		fc	171	43.9	20.4
	With reflector	lux	19300	3520	1420
		fc	1790	327	132
3200K	Bare lamp	lux	2090	527	247
		fc	194	48.9	22.9
	With reflector	lux	21500	3930	1590
		fc	2000	365	147
4300K	Bare lamp	lux	2350	607	278
		fc	218	56.4	25.8
	With reflector	lux	24300	4470	790
		fc	2260	415	166
5600K	Bare lamp	lux	2430	619	289
		fc	226	57.5	26.8
	With reflector	lux	25100	4610	1860
		fc	2340	248	173
6500K	Bare lamp	lux	2400	609	284
		fc	223	56.6	26.4
	With reflector	lux	24900	4550	1830
		fc	2310	422	170

All the above tests are based on the condition of 100% brightness.

## Technical Data

Model	SL60IIBi
Power Supply	100V-240V~50/60Hz 0.75A
Power	Max.75W
CCT	2800K-6500K
Channel	32
Group	16 (A,B,C,D,E,F,0-9)
ID	1-99/OF
CRI	≥96
TLCI	≥97
FX Type	11
Control Method	2.4GHz Wireless/Bluetooth/Light Body Control
2.4GHz Transmission Distance	≈30 meters
Bluetooth Transmission Distance	≈30 meters
Brightness Range	0%-100%
Working Environment Temperature	-10°C-40°C
Dimension (unfolded without reflector)	140mm*236mm*215mm
Net Weight≈	1.5kg

Specification and design may subject to changes without notice.

## FCC Statement

This device complies with part 15 of the FCC Rules. Operation is subject to the following two conditions:

- (1) This device may not cause harmful interference, and
- (2) this device must accept any interference received, including interference that may cause undesired operation.

Any Changes or modifications not expressly approved by the party responsible for compliance could void the user's authority to operate the equipment.

Note: This equipment has been tested and found to comply with the limits for a Class B digital device, pursuant to part 15 of the FCC Rules. These limits are designed to provide reasonable protection against harmful interference in a residential installation. This equipment generates uses and can radiate radio frequency energy and, if not installed and used in accordance with the instructions, may cause harmful interference to radio communications. However, there is no guarantee that interference will not occur in a particular installation. If this equipment does cause harmful interference to radio or television reception, which can be determined by turning the equipment off and on, the user is encouraged to try to correct the interference by one or more of the following measures:

- Reorient or relocate the receiving antenna.
- Increase the separation between the equipment and receiver.
- Connect the equipment into an outlet on a circuit different from that to which the receiver is connected.
- Consult the dealer or an experienced radio/TV technician for help.

The device has been evaluated to meet general RF exposure requirement.  
The device can be used in portable exposure condition without restriction.

## Warning

Operating frequency: 2412.99MHz – 2464.49MHz (2.4G only receive) / 2402MHz – 2480MHz (BT)  
Maximum EIRP Power: 5dBm

## Declaration of Conformity

GODOX Photo Equipment Co., Ltd. hereby declares that this equipment are in compliance with the essential requirements and other relevant provisions of Directive 2014/53/EU. In accordance with Article 10(2) and Article 10(10), this product is allowed to be used in all EU member states. For more information of DoC, Please click this web link:  
<https://www.godox.com/DOC/SL60IIb1.pdf>  
The device complies with RF specifications when the device used at 0mm from your body.

## IC Warning

This device complies with Industry Canada's licence-exempt RSSs. Operation is subject to the following two conditions:

- (1) This device may not cause interference; and
- (2) This device must accept any interference, including interference that may cause undesired operation of the device.

This equipment complies with IC radiation exposure limits set forth for an uncontrolled environment.

This equipment should be installed and operated with minimum distance 20cm between the radiator & your body.

Cet appareil est conforme aux CNR exemptes de licence d'Industrie Canada .  
Son fonctionnement est soumis aux deux conditions suivantes :

- ( 1 ) Ce dispositif ne peut causer d'interférences ; et
- ( 2 ) Ce dispositif doit accepter toute interférence , y compris les interférences qui peuvent causer un mauvais fonctionnement de l'appareil.

Ce matériel est complété par une exposition de rayonnements IC pour un environnement naturel. Ce matériel doit être installé et se faire avec une distance minimale de 20cm entre les radiateurs et les autresYour body shop.

## Warranty

Dear customers, as this warranty card is an important certificate to apply for our maintenance service, please fill in the following form in coordination with the seller and safe-keep it. Thank you!

Product Information	Model	Product Code Number
Customer Information	Name	Contact Number
	Address	
Seller Information	Name	
	Contact Number	
	Address	
	Date of Sale	
Note:		

Note: This form shall be sealed by the seller.

### Applicable Products

The document applies to the products listed on the Product Maintenance Information (see below for further information). Other products or accessories (e.g. promotional items, giveaways and additional accessories attached, etc.) are not included in this warranty scope.

### Warranty Period

The warranty period of products and accessories is implemented according to the relevant Product Maintenance Information. The warranty period is calculated from the day(purchase date) when the product is bought for the first time. And the purchase date is considered as the date registered on the warranty card when buying the product.

### How to Get the Maintenance Service

If maintenance service is needed, you can directly contact the product distributor or authorized service institutions. You can also contact the Godox after-sale service call and we will offer you service. When applying for maintenance service, you should provide valid warranty card. If you cannot provide valid warranty card, we may offer you maintenance service once confirmed that the product or accessory is involved in the maintenance scope, but that shall not be considered as our obligation.

### Inapplicable Cases

The guarantee and service offered by this document are not applicable in the following cases: ①. The product or accessory has expired its warranty period; ②. Breakage or damage caused by inappropriate usage, maintenance or preservation, such as improper packing, improper usage, improper plugging in/out external equipment, falling off or squeezing by external force, contacting or exposing to the improper temperature, solvent, acid, base, flooding and damp environments, etc; ③. Breakage or damage caused by non-authorized institution or staff in the process of installation, maintenance, alternation, addition and detachment; ④. The original identifying information of product or accessory is modified, alternated, or removed; ⑤. No valid warranty card; ⑥. Breakage or damage caused by using illegally authorized, nonstandard or non-public released software; ⑦. Breakage or damage caused by force majeure or accident; ⑧. Breakage or damage that could not be attributed to the product itself. Once met these situations above, you should seek solutions from the related responsible parties and Godox assumes no responsibility. The damage caused by parts, accessories and software that beyond the warranty period or scope is not included in our maintenance scope. The normal discoloration, abrasion and consumption are not the breakage within the maintenance scope.

## Maintenance and Service Support Information

The warranty period and service types of products are implemented according to the following Product Maintenance Information:

Product Type	Name	Maintenance Period(month)	Warranty Service Type
Parts	Circuit Board	12	Customer sends the product to designated site
	Battery	3	Customer sends the product to designated site
	Electrical parts e.g.battery charger, etc.	12	Customer sends the product to designated site
Other Items	Flash tube, modeling lamp, lamp body, lamp cover, locking device, package, power cord, sync cable, etc.	NO	Without warranty

Godox After-sale Service Call 0755-29609320-8062



Wechat  
Official Account

神牛微信公众号

深圳市神牛摄影器材有限公司

地址: 深圳市宝安区福海街道塘尾社区耀川工业区厂房2栋 电话: 0755-29609320(8062)

传真: 0755-25723423 邮箱: godox@godox.com

**GODOX Photo Equipment Co., Ltd.**

Add.: Building 2, Yaochuan Industrial Zone, Tangwei Community, Fuhai Street, Bao' an District, Shenzhen  
518103, China Tel: +86-755-29609320(8062) Fax: +86-755-25723423 E-mail: godox@godox.com

**www.godox.com**

Made in China | 705-SL62BY-00

